

CINCH MIL/AERO
Circulars



RJ45 D38999
C-RJFTV Series



belfuse.com/cinch

About Bel

Bel is a publicly traded company that has been operated by the same family for over 65 years. Our history of organic growth and acquisitions have broadened our product portfolio. This has established Bel as a world leader with a diverse offering of power, protection and interconnect products. We design and manufacture these products which are primarily used in the networking, telecommunications, computing, military, aerospace, transportation and broadcasting industries. Bel's portfolio of products also finds application in the automotive, medical and consumer electronics markets.

About Cinch Mil/Aero Circulars

Cinch Mil/Aero Circulars connectors and custom connectors available with hermetic sealing in any circular connector configuration. These glass-sealed packages are used mostly in critical components and assemblies for aerospace use, where leakage must be prevented even under extreme changes in temperature, pressure, and humidity.

Table of Contents

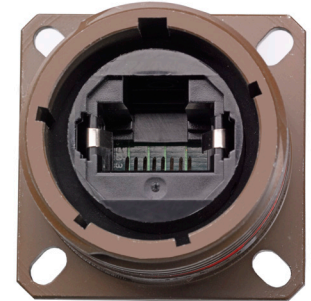
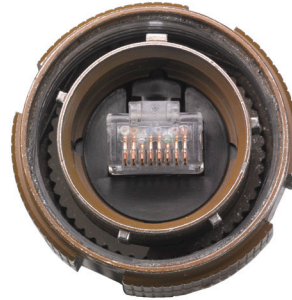
Series C-RJFTV

Overview	3
Panel Mounting	4
Jam Nut Mounting	4
Ordering Information	5

Termination Instructions

Polarizing Codes	6
C-RJFTV Inert Removal Tool	7
Ordering Information	7

Overview



Features

- D38999 series III style shell
- EMI protection with shielded cable
- Shell sizes 17 and 19, which is the smallest size on the market today and allows for communications speeds through 1G Base-T Ethernet
- Available in a variety of metals and plating's
- Minimum of 500 mating cycles
- Sealed to IP68
- Four keyways available Standby Output (Always Present)
- 1U Form Factor
- Forward & Reverse Airflow
- I²C Communication Interface with PMBus[®] Protocol for Control, Programming and Monitoring

Applications

- Harsh Environment Connectivity
- Military Communication
- Railway
- Oil and Gas
- Renewable Energy Industry

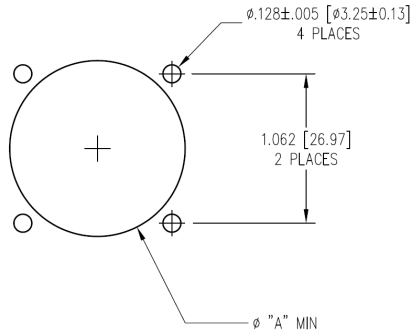
Data Transmission

- 10 Base-T, 100 Base-T, and 1G Base-T Ethernet
- High performance connectivity, up to 100 MHz



Panel Mounting

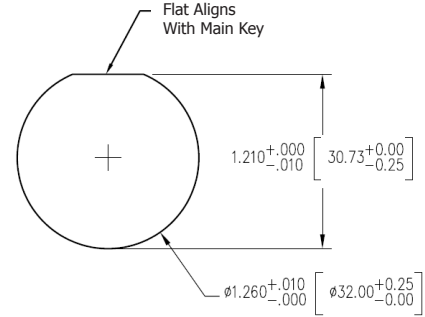
Recommended Panel Dimensions



Panel Cutout
.125 [3.2] Max Panel Thickness

Jam Nut Mounting

Recommended Panel Dimensions



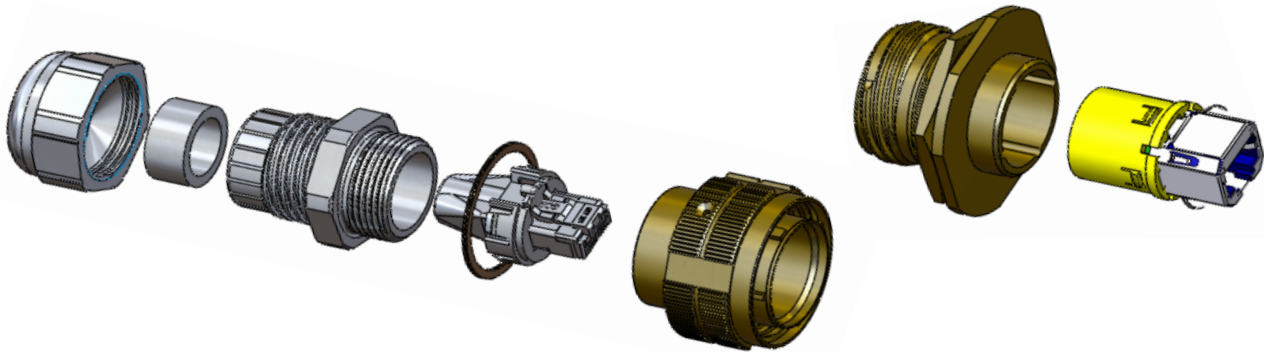
Panel Cutout
.125 [3.2] Max Panel Thickness

Panel Mounting Side	"A" Diameter
Front	1.016 in (25.81 mm)
Rear	1.219 in (30.96 mm)

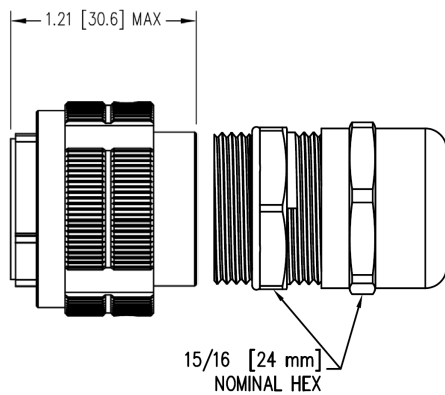
* If back shell is used when front mounting, "A" = 1.219 in (30.96 mm)

Panel Mounting Side	"A" Diameter
Front	1.016 in (25.81 mm)
Rear	1.219 in (30.96 mm)

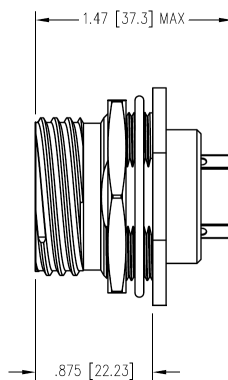
* If back shell is used when front mounting, "A" = 1.219 in (30.96 mm)



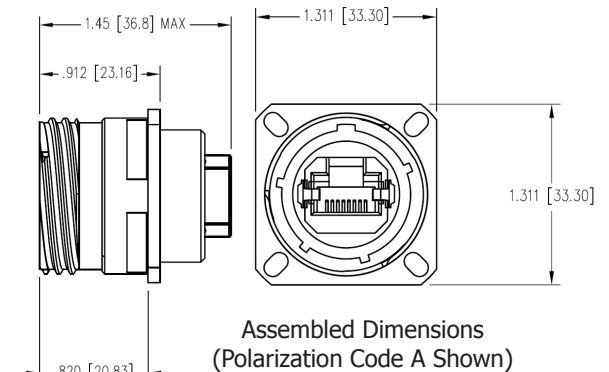
Plug Connector



RJ45 Connector



Receptacle Connector



*For Information on Size 19 Panel Dimensions, Contact Factory

Ordering Information

C-RJFTV 5E 17 06 1 G 03 K123

RJ45 38999 Series III
C-RJFTV

Modification Code - Optional

(Contact Cinch Engineering for special requirements and codes)

Performance

5E - Suited for 10 BaseT, 100 BaseT, 1G BaseT

Cordset Length

- 03** - 0.3 meter
- 05** - 0.5 meter
- 10** - 1.0 meter
- 15** - 1.5 meter

Shell Size

- 17** - Size 17
- 19** - Size 19

Shell Type

- 02** - Receptacle, square flange
- 02BS** - Receptacle, square flange, IP68 backshell, plastic gland
- 02BSM** - Receptacle, square flange, IP68 backshell, metal gland
- 06P** - Plug, straight, plastic gland
- 06M** - Plug, straight, metal gland
- 07** - Receptacle, jamnut
- 07BS** - Receptacle, jamnut, IP68 backshell, plastic gland
- 07BSM** - Receptacle, jamnut, IP68 backshell, metal gland

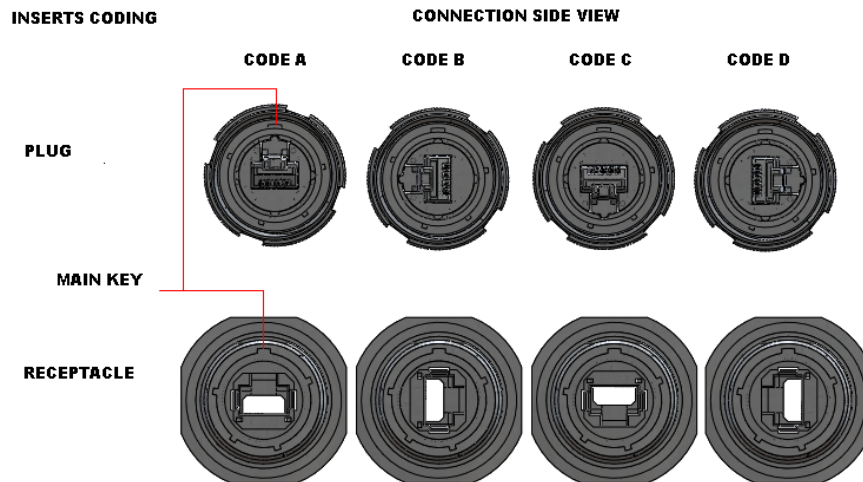
Shell Material & Plating

- G** - Aluminum shell, olive drab plating
- N** - Aluminum shell, nickel plating (RoHS)
- SS** - Stainless steel, passivated (RoHS)
- BZ** - Marine bronze (RoHS)

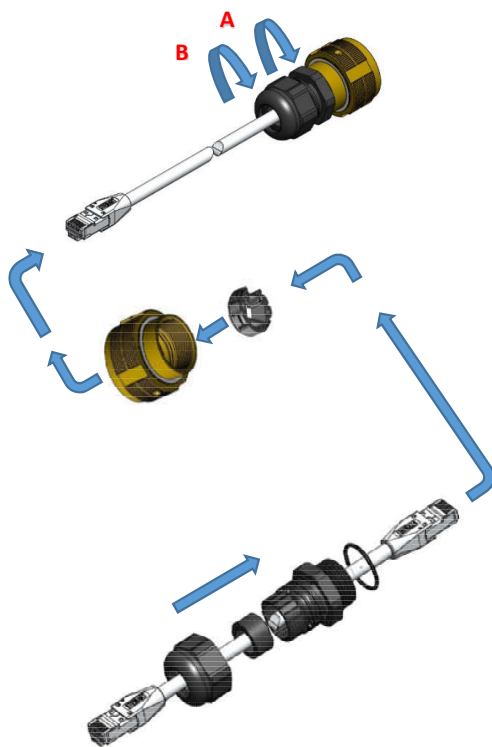
Back end termination (omit for shell type 06)

- 1** - RJ45, Female, Straight

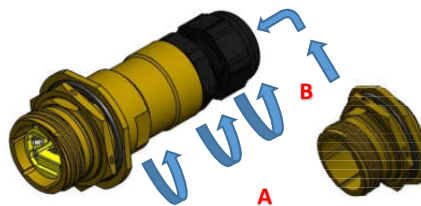
Polarizing Codes



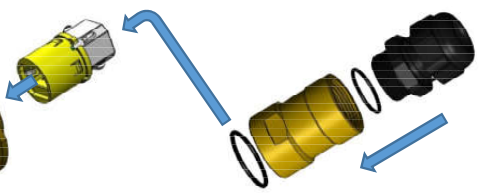
Plug Connector



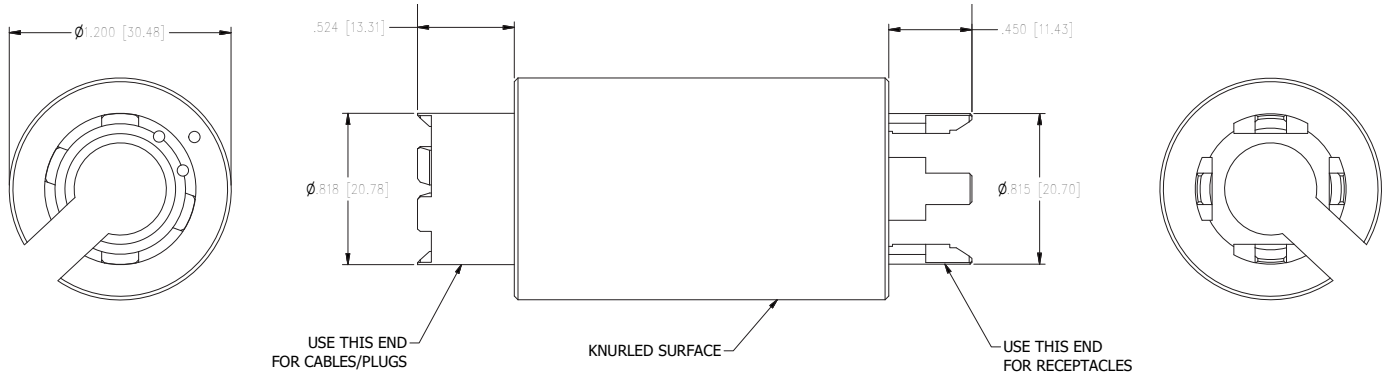
RJ45 Connector



Receptacle Connector



C-RJFTV Insert Removal Tool



Tightening Torque (Mn)

		Polymer	Metal
Gland Body	A	5.00	7.5
Gland Cap Nut	B	3.3	5.0
Back Shell	C	N/A	4.5

Ordering Information

Use Insert Removal Tools when Changing Polarizations

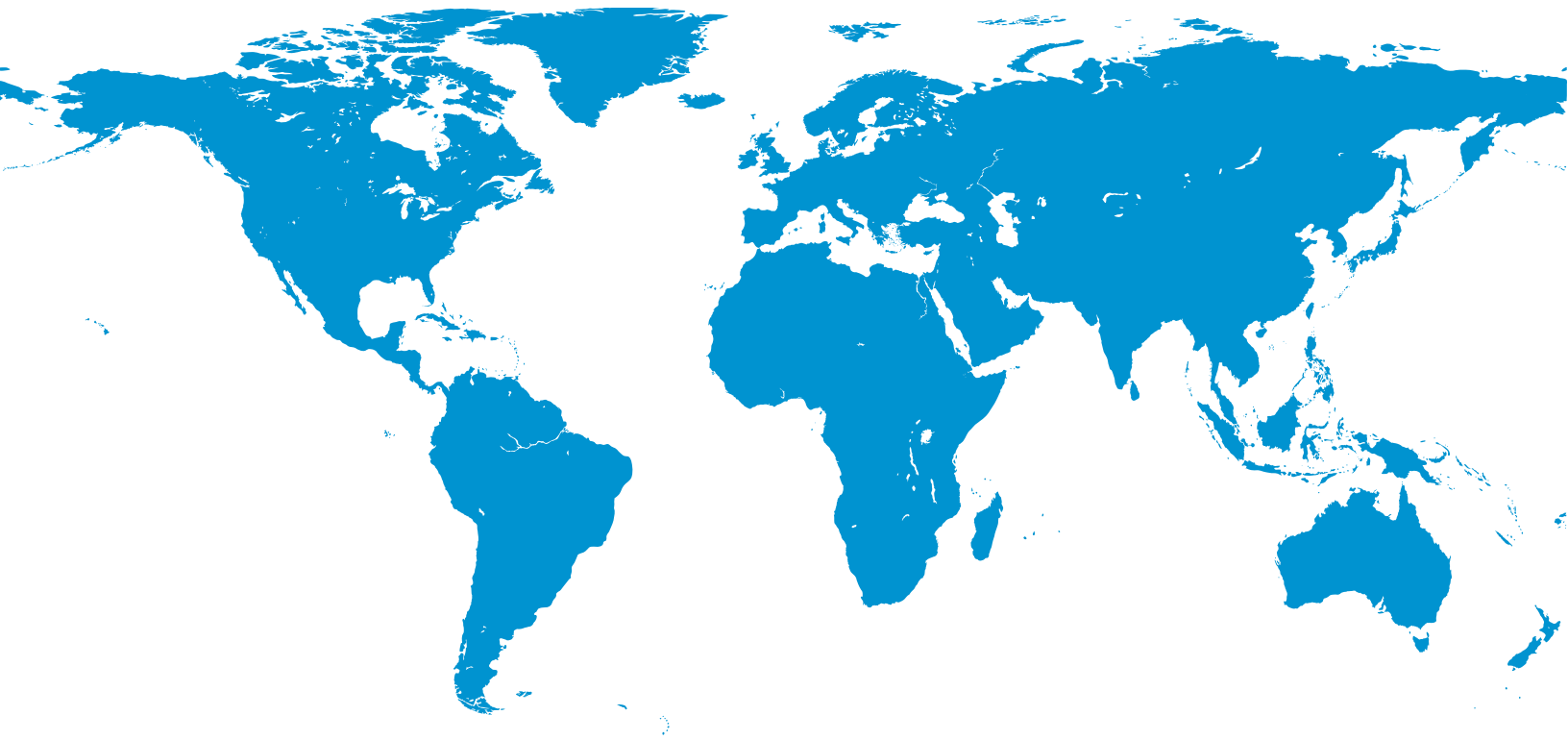
Part Number	Description
2940262-01	Plug/Receptacle Insert Removal Tool



About Cinch Connectivity Solutions

For over 100 years, Cinch Connectivity Solutions has manufactured high-quality and reliable high-performance connectors and cable assemblies. Cinch is recognized as a world class connectivity supplier of RF, fiber optic, hybrid, microwave components, circular, d-subminiatures, modular rectangular, electronic enclosures and cable assemblies.

Cinch provides innovative solutions to the military, commercial aerospace, networking, telecommunication, test and measurement, oil and gas and other harsh environment industries.



For more information, please contact us:

North America
+1 507.833.8822
ccsorders@us.cinch.com

Asia-Pacific
+86 21 5442 7668
ccs.asia.sales@as.cinch.com

Europe, Middle East
+44 (0) 1245 342060
CinchConnectivity@eu.cinch.com

belfuse.com/cinch.com



X-ON Electronics

Largest Supplier of Electrical and Electronic Components

Click to view similar products for [Modular Connectors / Ethernet Connectors](#) category:

Click to view products by [Bel Fuse](#) manufacturer:

Other Similar products are found below :

[8949-H88/06BLKA/SN](#) [74441-0010/BKN](#) [MP1010RX-1000](#) [MP44RX-1000](#) [PHJ-4P4C-1-V-4](#) [PHP-6P6C-5](#) [GAX-3-66](#) [GAX-8-62](#) [GDCX-PA-66-50](#) [GDCX-PN-64](#) [GDCX-PN-66](#) [GDCX-PN-66-50](#) [GDLX-A-66](#) [GDLX-N-66](#) [GDLX-S-66](#) [GDLX-S-88K](#) [GDLX-SMT-S-88](#) [GDTX-S-88-50](#) [GDX-PA-1010](#) [GLX-N-1010M-BLK](#) [GLX-S-88M-BLK](#) [GMX-N-1010](#) [GMX-S-1010](#) [GMX-S-66](#) [GMX-SMT4-N-88](#) [GPX-2-64](#) [GSGX-N-2-88](#) [GSGX-N-4-88](#) [GSX-NS2-88-3.05](#) [GSX-NS2-88-3.05-50](#) [GSX-NS-88-3.05-50](#) [PT-108A-8C-UL](#) [PT-J951-8C](#) [PTS-J531-8CS-50UL](#) [1-1775629-2](#) [A-2014-0-4](#) [GWLX-S-88-GR](#) [GWLX-S9-88-YG](#) [DC-1021-8-WH-6](#) [1300530003](#) [1324640-4](#) [RJ11FTVC2G](#) [RJ11FTVC2N](#) [RJFTVX2SA1G](#) [132764-001](#) [1413235](#) [MP88X-1000](#) [MPS88RX-5000](#) [E5288-S000K3-L](#) [E5908-15A242-L](#)