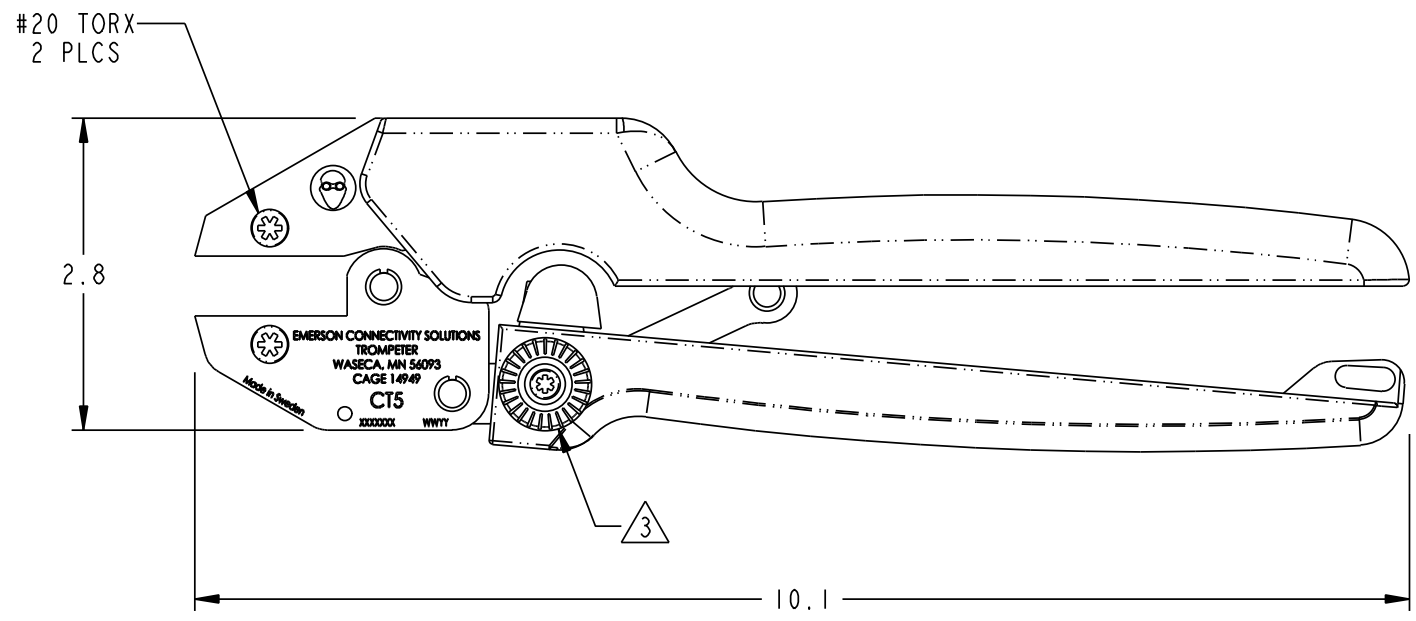



DATA CONTAINED IN THIS DOCUMENT IS PROPRIETARY TO EMERSON CONNECTIVITY SOLUTIONS AND SHALL NOT BE DISCLOSED, COPIED OR USED FOR PROCUREMENT OR MANUFACTURE WITHOUT EXPRESS WRITTEN PERMISSION

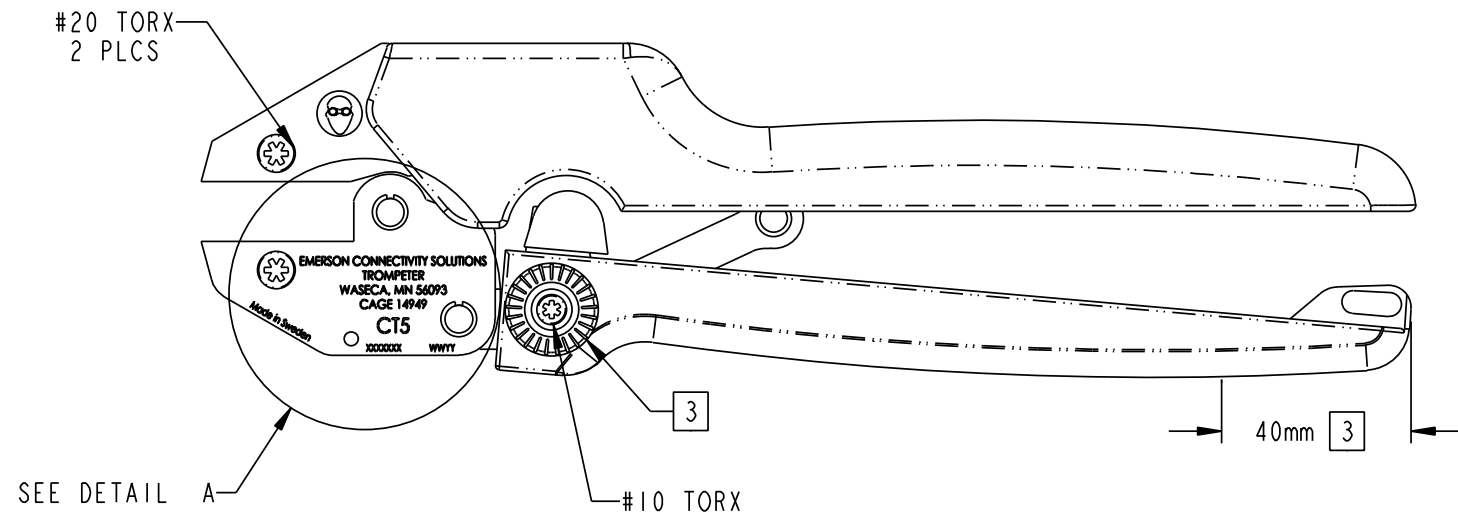
REVISIONS			
REV	DESCRIPTIONS	DATE	APPROVED
B	ECO 53442	6/29/11	C. MONAHAN



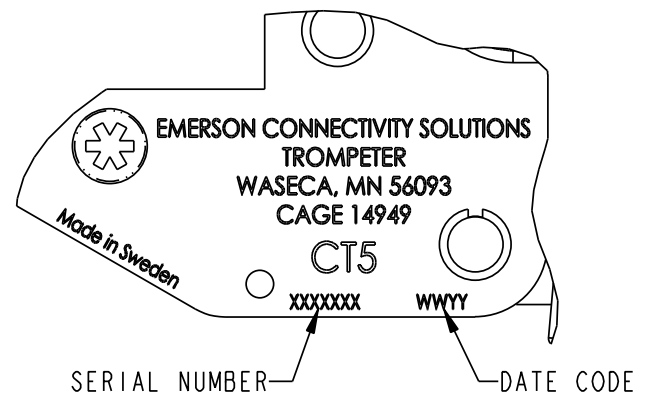
- 4. FOR USE WITH CD3 DIE SETS.
- 3. FACTORY SET TO CALIBRATED CLOSURE FORCE. MARK SETTING AND ETCH FORCE.
- 2. OPEN HANDLE SPAN 8.75 MAX.
- 1. FINISH: HAND GRIPS; BLUE MOLDED TPE (THERMO PLASTIC POLYMER) FRAME ASSEMBLY; BLACK OXIDE COATED CRS WITH LASER ENGRAVED MARKING.

NOTES: UNLESS OTHERWISE SPECIFIED.

INTERPRET DRAWING PER MIL-STD-100. DIMENSIONS ARE IN INCHES AND INCLUDE FINISH THICKNESS UNLESS OTHERWISE SPECIFIED.		TOL: UNLESS SPECIFIED. .XX ± .01 .XXX ± .003 .XXXX ± .0010 ANGLE ± 1° 00' CRITICAL		 Cinch Connectivity Solutions 299 Johnson Ave. Ste. 100 Waseca, MN 56093 1-800-247-8256	
DRN C. WALLACE	6/29/11	MATERIAL:	TITLE: CT5 HAND CRIMPING TOOL		
CHR C. MONAHAN	6/30/11	FINISH:	SIZE	CAGE CODE	DRAWING NO.
QUALITY			A	14949	010-0215
MANUF			SCALE	DATE	REV.
APPROVED			5/8	5/18/11	B
SURFACE AREA	PROJ/ FILE NO. 010-0215	DO NOT SCALE DWG	SHEET 1 OF 2		



- 6. TO BE MARKED WITH "EMERSON CONNECTIVITY SOLUTIONS", "TROMPETER", "WASECA, MN 56093", "CAGE 14949", "CT5", DATE CODE AND SERIAL NUMBER AS SHOWN.
- 5. HANDLE COLOR TO BE MEDIUM BLUE (PRESSMASTER #NCS 1060-R90B).
- 4. EACH SHIPMENT TO INCLUDE A CERTIFICATION OF CALIBRATION AND CITE SERIAL NUMBER AND DATE CALIBRATED.
- 3. MANUFACTURE TO SET TOOL TO ACHIEVE THE HANDLE CLOSURE FORCE, WHEN $300N \pm 30N$ APPLIED 40MM FROM HANDLE END USING 010-0039-201 DIE SET. AFTER SETTING TOOL, LASER ENGRAVE OPPOSING ARROWS AND "FACTORY SETTING" AND INDICATED.
- 2. LASER ENGRAVE CHARACTERS IN UPPER CASE GOTHIC, LOCATED APPROX AS SHOWN, SIZE OF CHARACTERS TO BE DETERMINED AS ARAE PERMITS.
- 1. PRESSMASTER TOOL 43003957.



DETAIL A
SCALE 1.25:1

SIZE	CAGE CODE	DRAWING NO.	REV.
A	14949	010-0215	B
SCALE	SHEET		
5/8	2 OF 2		

X-ON Electronics

Largest Supplier of Electrical and Electronic Components

Click to view similar products for [Crimpers / Crimping Tools](#) category:

Click to view products by [Bel Fuse](#) manufacturer:

Other Similar products are found below :

[010-0096](#) [M225201-06](#) [M225202-37](#) [6-1579015-5](#) [CT150-6-RH07](#) [622-6441LF](#) [M322](#) [6-304052-1](#) [63456-0054](#) [63484-3701](#) [63800-8355](#)
[63819-1875](#) [63819-2875](#) [63819-4475](#) [63827-5375](#) [64001-0975](#) [64001-4175](#) [64005-0175](#) [662903-2](#) [690602-6](#) [7-1579001-9](#) [7-23471-1](#)
[762637-1](#) [808714-1](#) [811242-5](#) [999-50-020083](#) [1-21002-3](#) [1-21002-7](#) [12085270](#) [1-21002-6](#) [1-21113-6](#) [1-22548-4](#) [125442-1](#)
[DCE.91.073.BVC](#) [DCE.91.090.3MVM](#) [DCE.91.130.5MVU](#) [DCE.91.202.BVCM](#) [1338300-1](#) [1-354003-0](#) [1338301-1](#) [DF62/RE-MD](#) [142321](#)
[1456088-1](#) [1490794-1](#) [1-45804-6](#) [1490357-2](#) [1490357-3](#) [AX100749](#) [1-59619-7](#) [1596970-1](#)