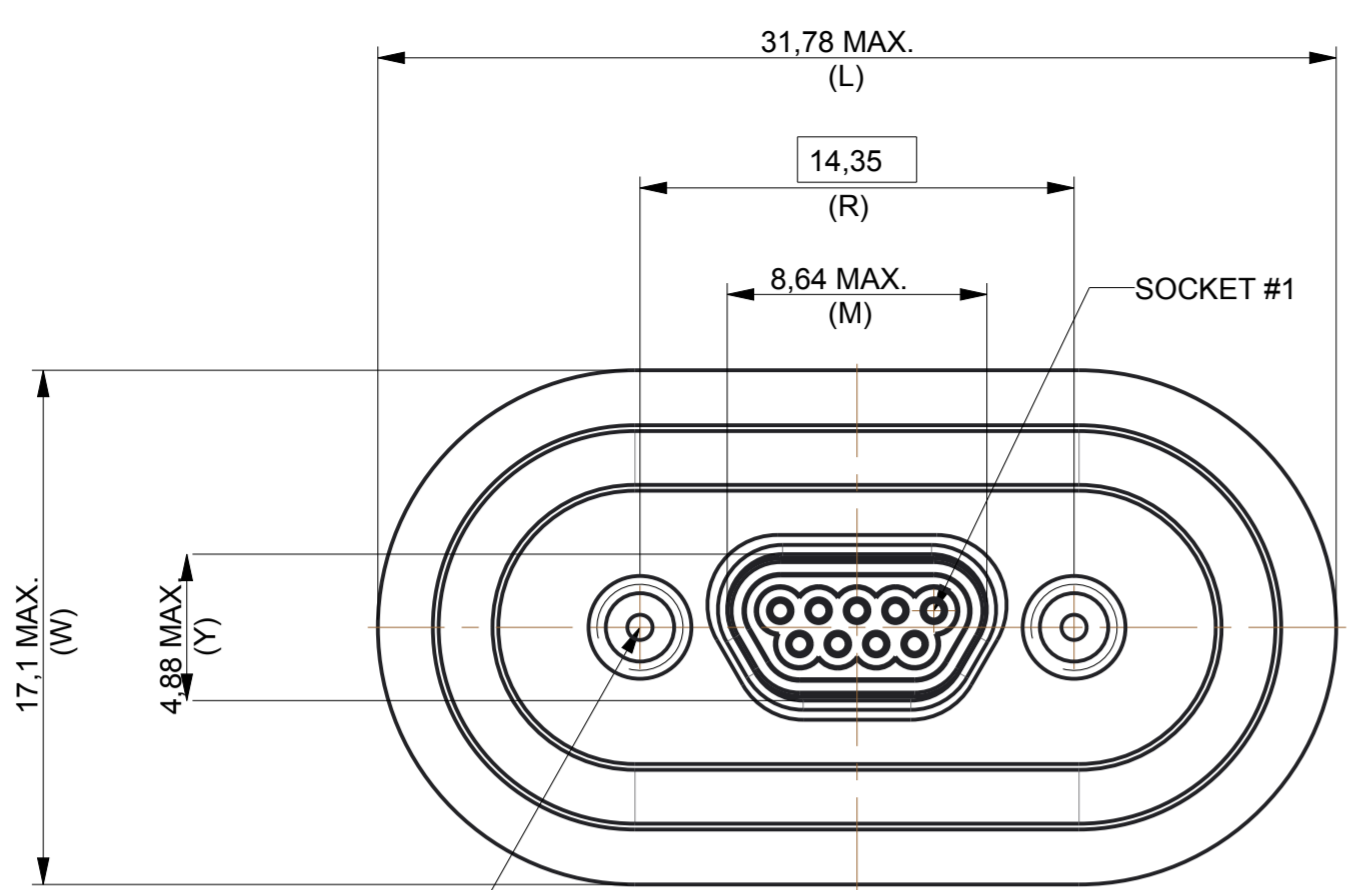
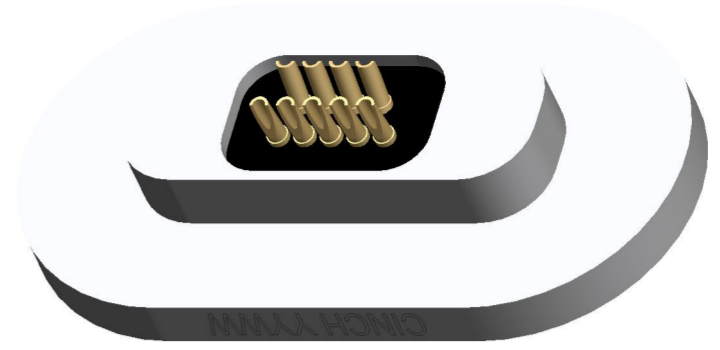
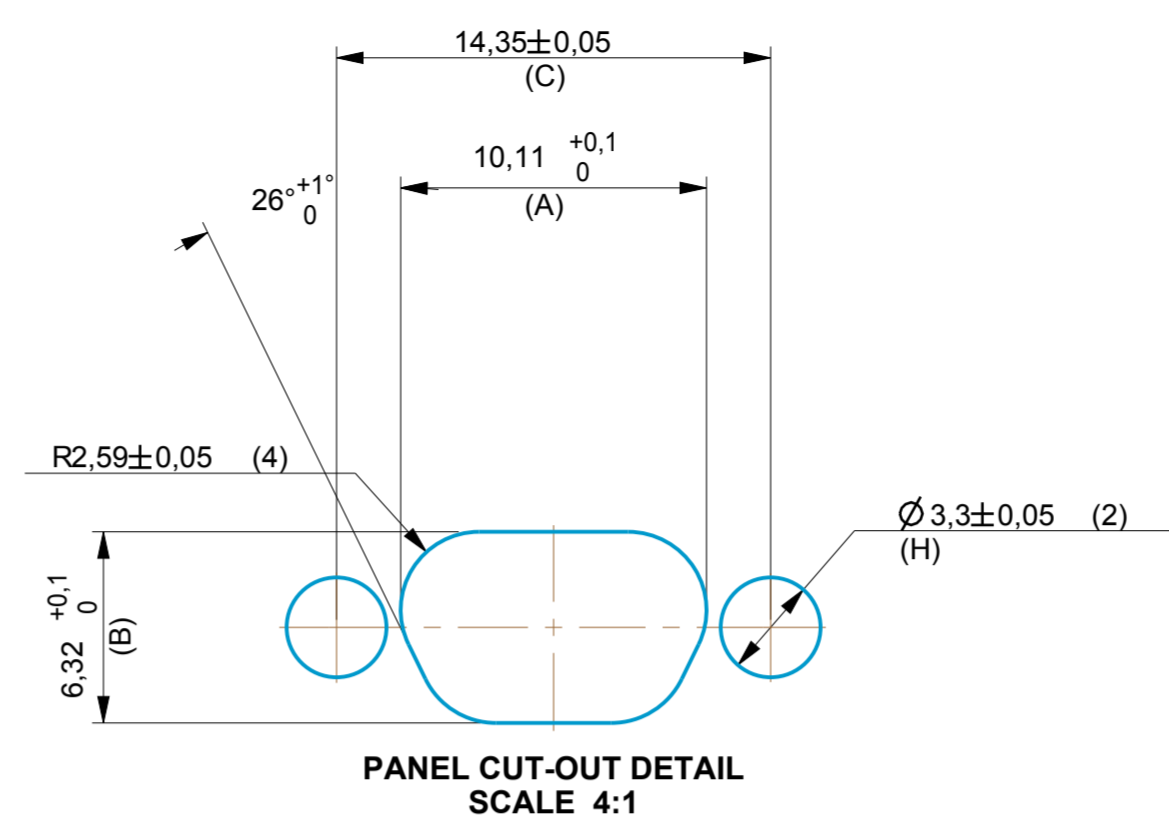
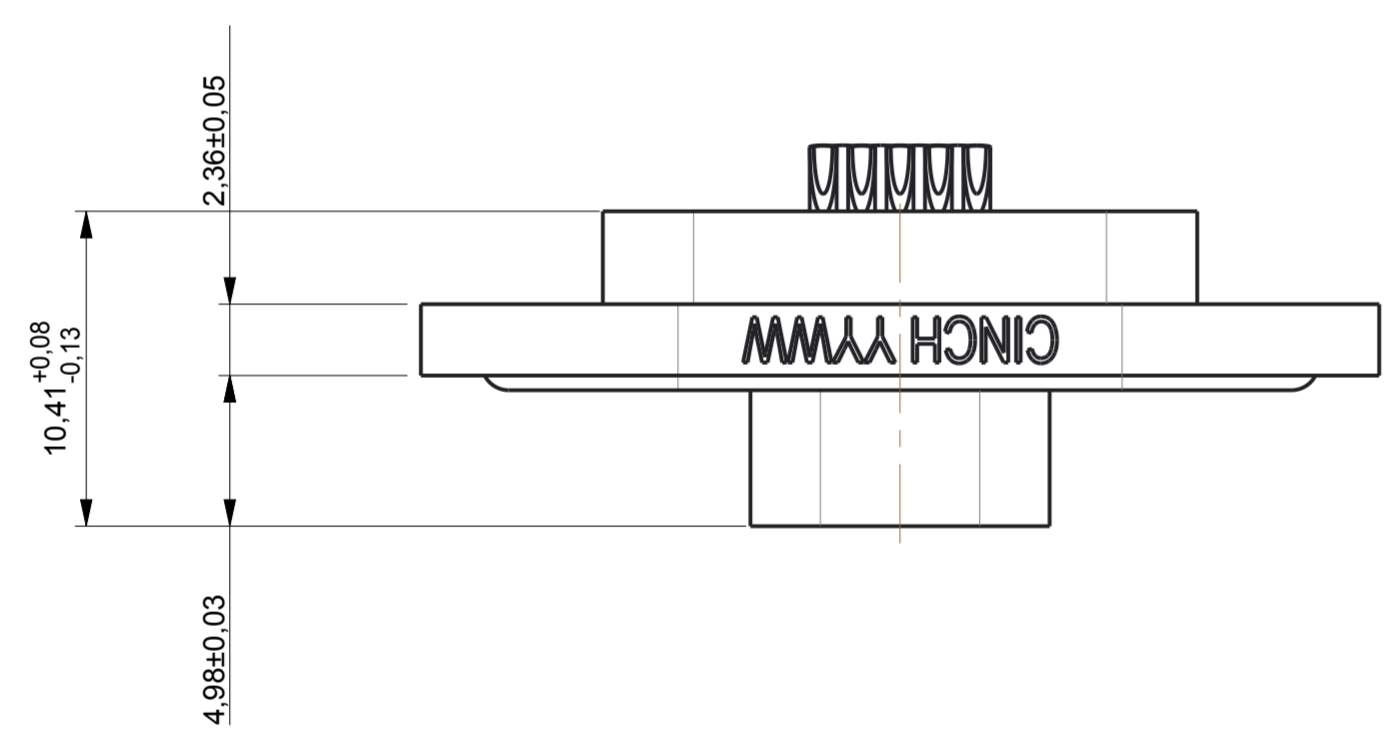


DN000100000000N_CUST	
RELEVANT SPEC	SHT 1 OF 1
MIL-DTL-83513 INTERFACE	EX No.
PROJ MODEL FILE	NA
DN000100000000N	
IF IN DOUBT - ASK	
ALL DIMENSIONS ARE IN mm	

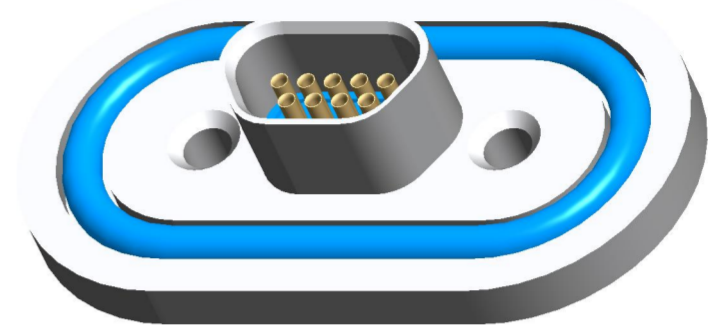
ISSUE GROUPS	
A	



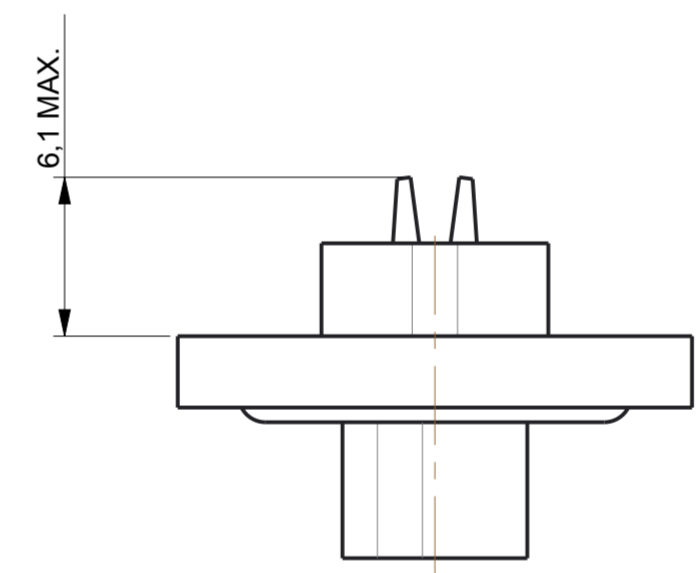
4-40 UNC - 2B TAP  $\nabla$  4,000  
#43 DRILL (2,261)  $\nabla$  4,471



SCALE 3:1



SCALE 3:1



PART NUMBER	A	B	C	H	DESCRIPTION2
DN0000809	10,11	6,32	14,35	3,30	9W REVERSE MOUNT PANEL
DN0000815	13,92	6,32	18,16	3,30	15W REVERSE MOUNT PANEL
DN0000821	17,73	6,32	21,97	3,30	21W REVERSE MOUNT PANEL
DN0000825	20,27	6,32	24,51	3,30	25W REVERSE MOUNT PANEL
DN0000831	24,08	6,32	28,34	3,30	31W REVERSE MOUNT PANEL
DN0000837	27,89	6,32	32,13	3,30	37W REVERSE MOUNT PANEL
DN0000851	26,62	7,42	30,86	3,30	51W REVERSE MOUNT PANEL
DN0000810	39,00	8,52	45,72	4,10	100W REVERSE MOUNT PANEL

PART NUMBER	SALES_CODE	L_MAX	M_MAX	R_BASIC	W_MAX	Y_MAX	DESCRIPTION2
DN000100000900N	DCDH-9SSBN	31,78	8,64	14,35	17,10	4,88	9W SOLDERPOT SOCKET ASSEMBLY
DN000100001500N	DCDH-15SSBN	34,26	12,45	18,16	17,10	4,88	15W SOLDERPOT SOCKET ASSEMBLY
DN000100002100N	DCDH-21SSBN	39,25	16,26	21,97	17,10	4,88	21W SOLDERPOT SOCKET ASSEMBLY
DN000100002500N	DCDH-25SSBN	41,76	18,80	24,51	17,10	4,88	25W SOLDERPOT SOCKET ASSEMBLY
DN000100003100N	DCDH-31SSBN	44,23	22,61	28,32	17,10	4,88	31W SOLDERPOT SOCKET ASSEMBLY
DN000100003700N	DCDH-37SSBN	49,22	26,42	32,13	17,10	4,88	37W SOLDERPOT SOCKET ASSEMBLY
DN000100005100N	DCDH-51SSBN	48,60	25,15	30,86	18,20	5,99	51W SOLDERPOT SOCKET ASSEMBLY

NOTES:

- DIMENSIONS ARE FOR REFERENCE ONLY.
- CUSTOMER DRAWING ONLY. NOT USED FOR CINCH MANUFACTURE.
- PART MARK CONNECTORS WITH CINCH AND DATE-CODE.
- CONNECTOR TO BE HERMETICALLY TESTED TO  $1 \times 10^{-8}$  cc/sec @ 1 ATMOSPHERE HELIUM.

MATERIAL SPECIFICATIONS:

- CONNECTOR SHELL: >ASTM ALLOY< SAE-AMS-QQ-A-250. ELECTROLESS Ni PER SAE-AMS-C-26074.
- CONTACT (FEMALE SOCKET): >Cu ALLOY<. Au PER MIL-DTL-45204, TYPE 1.
- INSULATOR: >PBT< PER MIL-M-24519.
- INTERFACIAL GASKET: >FVMQ< PER MIL-R-25988 OR >PMQ< PER ZZ-R-765.
- HARDWARE: >303SS< PASSIVATE DIP PER SAE-AMS-QQ-P-35. HARDWARE TO BE PURCHASED SEPERATELY TO SUIT PANEL THICKNESS.
- DUSTCAP: >LDPE< OR ANTI-STATIC >HDPE<.

GENERAL SPECIFICATIONS:

- ALL OTHER DETAILS AND DIMENSIONS TO BE AS PER MIL-DTL-83513 OR CINCH HERMETIC DURA-CON CATALOGUE.

THIS DRAWING IS COPYRIGHT AND IS ISSUED ON CONDITION IT IS NOT COPIED, REPRODUCED OR DISCLOSED TO A THIRD PARTY WITHOUT THE CONSENT IN WRITING OF Cinch CONNECTIVITY SOLUTIONS LTD. ATTENTION IS DRAWN TO THE FACT THE ARTICLE DISCLOSED MAY BE COVERED BY BRITISH OR FOREIGN PATENTS, GRANTED OR PENDING OR REGISTERED DESIGN.

TITLE		HERMEYC MICROMINIATURE	
GEN. TOLERANCES		9-51W SOCKET ASSEMBLY	
2 DEC. PL	±0.1	DRN	MBARRACLOUGH
1 DEC. PL	±0.2	DATE	02-Feb-17
0 DEC. PL	±0.5	MATERIAL SPECIFICATION	4:1
ANGULAR	±1	RAW MATL	
TOOL R MAX.	0.18	FINISHED HARDNESS	
		FINISH TREATMENT	
		COLOUR	

APPD	DATE	PRELIM.	APPD	NOT
	02-Feb-17			
		NPWR		
		ECN		
		ITEM	QTY	
		DESCRIPTION		
		CODE		

## X-ON Electronics

Largest Supplier of Electrical and Electronic Components

*Click to view similar products for [D-Sub Micro-D Connectors](#) category:*

*Click to view products by [Bel Fuse](#) manufacturer:*

Other Similar products are found below :

[M24308/4-6F](#) [65-1920-15](#) [M83513/03-G09N](#) [M83513/03-G12N](#) [M83513/04-D11C](#) [M83513/04-G04C](#) [M83513/22-D01NP](#) [664020C06F060](#)  
[6R2004A30F015](#) [6R4006A28A120](#) [704002A03F200](#) [705001A13F120](#) [7-1532020-5](#) [748567-1-P](#) [MDB1-9SH001](#) [MDM-100PH003L](#) [MDM-](#)  
[15PBS-L58](#) [MDM-15PCBRM7T](#) [MDM-15PH001M7-A174](#) [MDM-15PH003B-A174](#) [MDM-15SH001L](#) [MDM-15SH003A](#) [MDM-15SH004B](#)  
[MDM-15SH006A-A174](#) [MDM-15SH048B](#) [MDM-21SH003K](#) [MDM-25PH003B-A174](#) [MDM-25SH003F](#) [MDM-25SH003K](#) [MDM-](#)  
[37PH006L-A174](#) [MDM-37SH003K](#) [MDM51PH016FA174](#) [MDM-51PSF](#) [MDM-51SH046B](#) [MDM-9PH003M7](#) [MDM-9SH001P](#) [MDM-](#)  
[9SH006B](#) [790-027SH-10P4MEP](#) [790-041PJ-25P2MPA](#) [790-043PJ-7P7MPB](#) [791-004SH-66MSA](#) [7R3A00A19A1201](#) [7R5006A19A120](#)  
[803000C02M020](#) [803001B02M040](#) [8030N1A09M020](#) [804001B03M100](#) [804006B03M100](#) [804006C02M030](#) [MLDM2L-21SCBRP-.110](#)