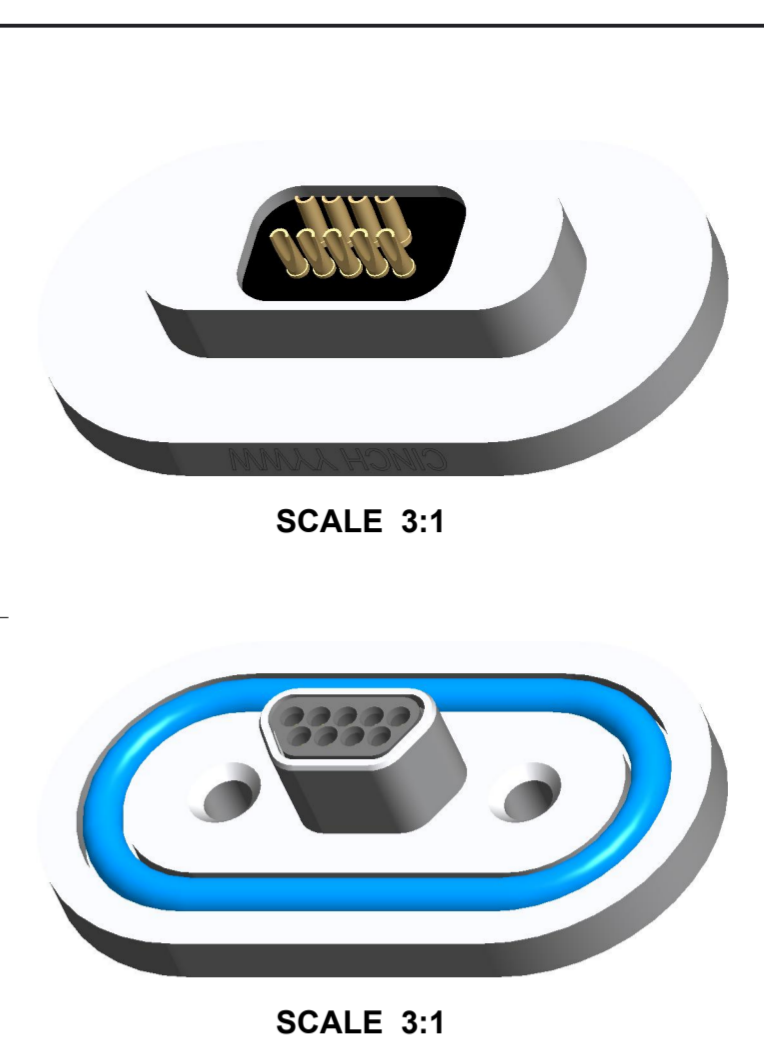
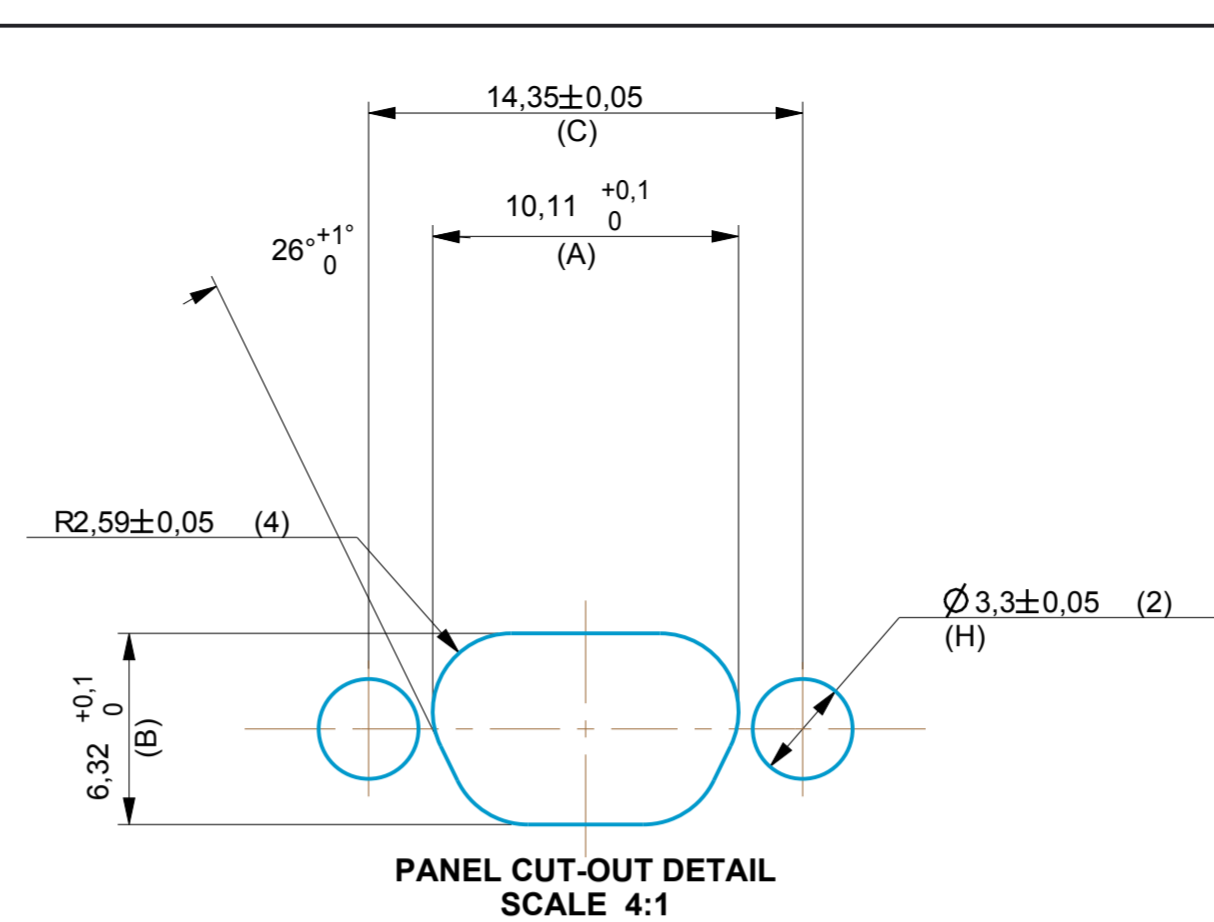
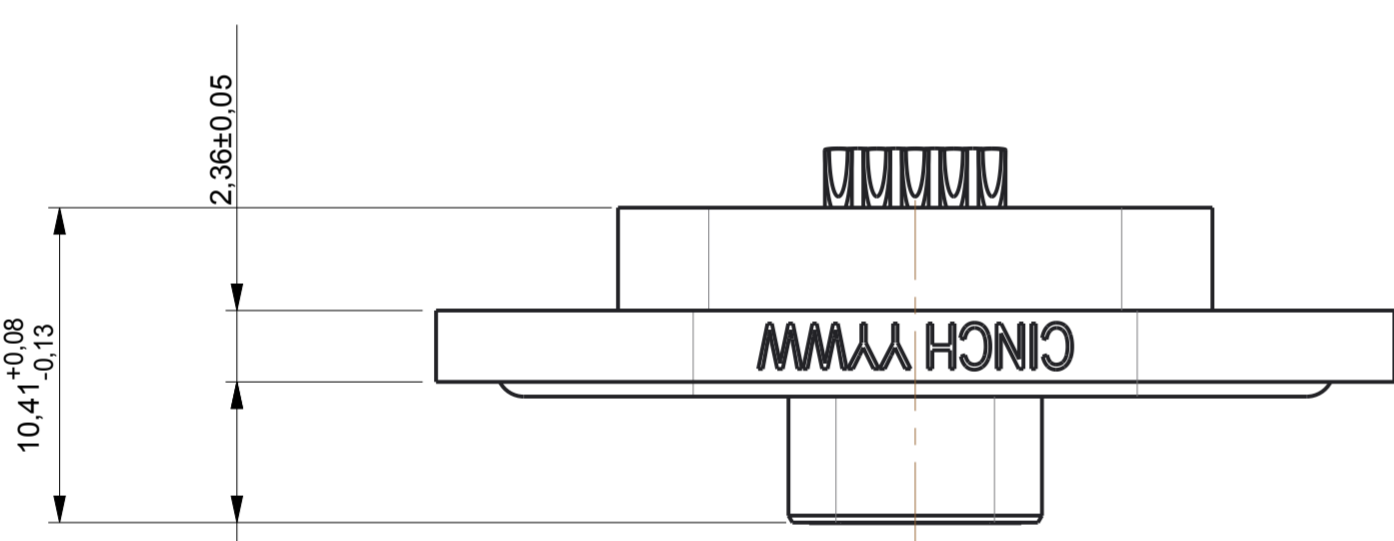


4-40 UNC - 2B TAP  $\nabla$  4.000  
 #43 DRILL ( 2,261 )  $\nabla$  4.471



PART NUMBER	A	B	C	H	DESCRIPTION2
DN0000809	10,11	6,32	14,35	3,30	9W REVERSE MOUNT PANEL
DN0000815	13,92	6,32	18,16	3,30	15W REVERSE MOUNT PANEL
DN0000821	17,73	6,32	21,97	3,30	21W REVERSE MOUNT PANEL
DN0000825	20,27	6,32	24,51	3,30	25W REVERSE MOUNT PANEL
DN0000831	24,08	6,32	28,34	3,30	31W REVERSE MOUNT PANEL
DN0000837	27,89	6,32	32,13	3,30	37W REVERSE MOUNT PANEL
DN0000851	26,62	7,42	30,86	3,30	51W REVERSE MOUNT PANEL

PART NUMBER	SALES_CODE	L_MAX	M_MAX	R_BASIC	W_MAX	Y_MAX	DESCRIPTION2
DN000090000000N	DCDH-9PSBN	31,78	8,43	14,35	17,10	4,65	9W SOLDERPOT PLUG ASSEMBLY
DN000090001500N	DCDH-15PSBN	34,26	12,24	18,16	17,10	4,65	15W SOLDERPOT PLUG ASSEMBLY
DN000090002100N	DCDH-21PSBN	39,25	16,05	21,97	17,10	4,65	21W SOLDERPOT PLUG ASSEMBLY
DN000090002500N	DCDH-25PSBN	41,76	18,59	24,51	17,10	4,65	25W SOLDERPOT PLUG ASSEMBLY
DN000090003100N	DCDH-31PSBN	44,23	22,40	28,32	17,10	4,65	31W SOLDERPOT PLUG ASSEMBLY
DN000090003700N	DCDH-37PSBN	49,22	26,21	32,13	17,10	4,65	37W SOLDERPOT PLUG ASSEMBLY
DN000090005100N	DCDH-51PSBN	48,60	24,94	30,86	18,20	5,74	51W SOLDERPOT PLUG ASSEMBLY

NOTES:

- DIMENSIONS ARE FOR REFERENCE ONLY.
  - CUSTOMER DRAWING ONLY. NOT USED FOR CINCH MANUFACTURE.
  - PART MARK CONNECTORS WITH CINCH AND DATE-CODE.
  - CONNECTOR TO BE HERMETICALLY TESTED TO  $1 \times 10^{-8}$  cc/sec @ 1 ATMOSPHERE HELIUM.
- MATERIAL SPECIFICATIONS:
- CONNECTOR SHELL: >ASTM ALLOY< SAE-AMS-QQ-A-250. ELECTROLESS Ni PER SAE-AMS-C-26074.
  - CONTACT (MALE PINS): >Cu ALLOY<. Au PER MIL-DTL-45204, TYPE 1.
  - INSULATOR: >PBT< PER MIL-M-24519.
  - HARDWARE: >303SS< PASSIVATE DIP PER SAE-AMS-QQ-P-35. HARDWARE TO BE PURCHASED SEPERATELY TO SUIT PANEL THICKNESS.
  - DUSTCAP: >LDPE< OR ANTI-STATIC >HDPE<.

GENERAL SPECIFICATIONS:

10. ALL OTHER DETAILS AND DIMENSIONS TO BE AS PER MIL-DTL-83513 OR CINCH HERMETIC DURA-CON CATALOGUE.

THIS DRAWING IS COPYRIGHT AND IS ISSUED ON CONDITION IT IS NOT COPIED, REPRODUCED OR DISCLOSED TO A THIRD PARTY WITHOUT THE CONSENT IN WRITING OF Cinch CONNECTIVITY SOLUTIONS LTD. ATTENTION IS DRAWN TO THE FACT THE ARTICLE DISCLOSED MAY BE COVERED BY BRITISH OR FOREIGN PATENTS, GRANTED OR PENDING OR REGISTERED DESIGN.

APPD	DATE	PRELIM.	NPWR	ECN	ISSUE	FINISHMATERIAL	QTY
	02-Feb-17						

GEN. TOLERANCES	2 DEC. PL	1 DEC. PL	0 DEC. PL	ANGULAR	TOOL R MAX.
	±0.1	±0.2	±0.5	±1	0.18

TITLE	DATE	SCALE	CHD	NOT
HERMETIC MICROMINIATURE 9-51W PLUG ASSEMBLY SOLDERPOT	02-Feb-17	4:1	APPD	NOT

CODE	DESCRIPTION	ITEM	FINISHMATERIAL	QTY
8	HYSQL RESIN (BLACK)			
7	HYSQL HARDENER			
6	HERMETIC COMPOUND			
5	9-51W O-RING SEAL			
4	9-51W PLG INSULATOR			
3	9-51W PLG DUSTCAP			
2	9-51W OUTER PLG SHELL PLTD			
1	SIPOT PLG CONTACT SHORT			

## X-ON Electronics

Largest Supplier of Electrical and Electronic Components

*Click to view similar products for [D-Sub Micro-D Connectors](#) category:*

*Click to view products by [Bel Fuse](#) manufacturer:*

Other Similar products are found below :

[M24308/4-6F](#) [65-1920-15](#) [M83513/03-G12N](#) [M83513/04-D11C](#) [M83513/04-G04C](#) [M83513/22-D01NP](#) [664020C06F060](#) [6R2004A30F015](#)  
[6R4006A28A120](#) [704002A03F200](#) [705001A13F120](#) [7-1532020-5](#) [748567-1-P](#) [MDB1-9SH001](#) [MDM-100PH003L](#) [MDM-15PBS-L58](#)  
[MDM-15PCBRM7T](#) [MDM-15PH001M7-A174](#) [MDM-15PH003B-A174](#) [MDM-15SH001L](#) [MDM-15SH003A](#) [MDM-15SH004B](#) [MDM-](#)  
[15SH048B](#) [MDM-21SH003K](#) [MDM-25PH003B-A174](#) [MDM-25SH003F](#) [MDM-37PH006L-A174](#) [MDM-37SH003K](#) [MDM-51PSF](#) [MDM-](#)  
[51SH046B](#) [MDM-9PH003M7](#) [MDM-9SH001P](#) [MDM-9SH006B](#) [790-027SH-10P4MEP](#) [790-041PJ-25P2MPA](#) [790-043PJ-7P7MPB](#) [791-](#)  
[004SH-66MSA](#) [7R3A00A19A1201](#) [7R5006A19A120](#) [803000C02M020](#) [803001B02M040](#) [8030N1A09M020](#) [804001B03M100](#)  
[804006B03M100](#) [804006C02M030](#) [MLDM2L-21SCBRP-.110](#) [85043GULSR](#) [883020E03M030](#) [883031D01M030](#) [883033B03M020](#)