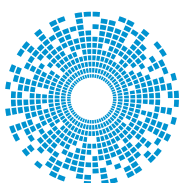




# High Temperature Dura-Con™ Micro-D 175°C Plug and PCB Connectors.

## High reliability connectors for military, oil and gas applications

Our product engineering and development activities employ cutting edge technologies, and our various technologies and expertise enable us to deliver the right solutions and products to meet your application needs.



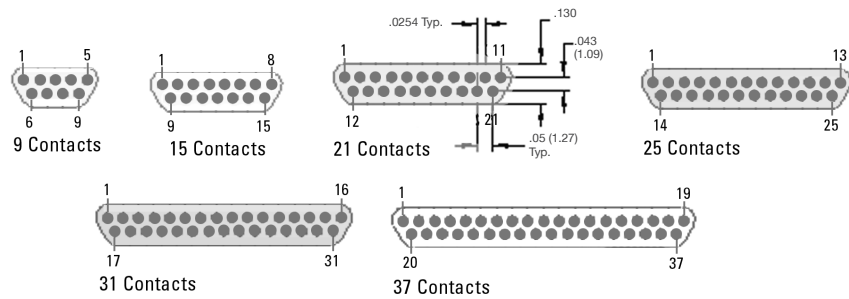
**cinch**  
CONNECTIVITY SOLUTIONS  
a bel group

# Dura-Con™ DCHM Plugs

No. of Contacts	A Max.		B Max.		C Max.		D Nominal	
	In.	mm.	in.	mm.	in.	mm.	in.	mm.
9 Plug	0.785	19.94	0.334	8.48	0.400	10.16	0.565	14.35
15 Plug	0.935	23.74	0.484	12.29	0.550	13.97	0.715	18.16
21 Plug	1.085	27.56	0.634	16.10	0.700	17.78	0.865	21.97
25 plug	1.185	30.10	0.734	18.64	0.800	20.32	0.965	24.51
31 Plug	1.335	33.97	0.884	22.45	0.950	24.13	1.115	28.32
37 Plug	1.485	37.72	1.034	26.26	1.100	27.94	1.265	32.13

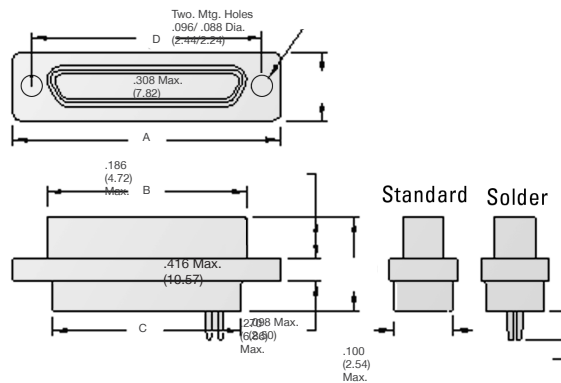
## Contact Arrangements

Face View

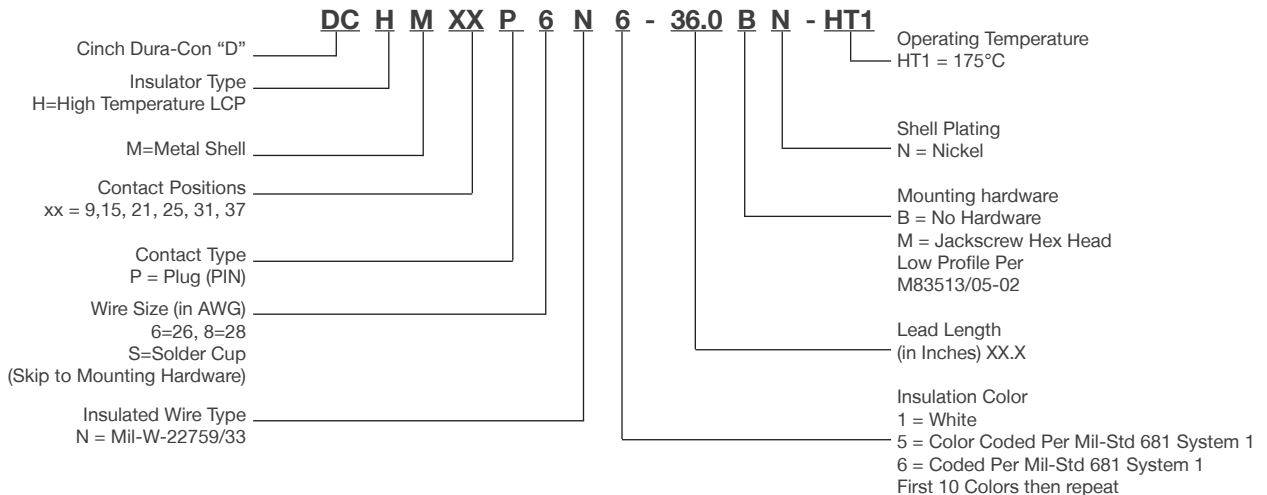


## Shell Dimensions

Plug



## How to Order



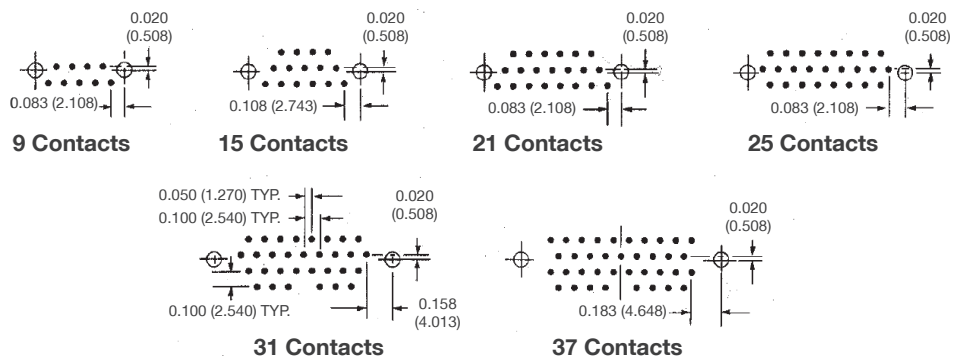
# Dura-Con™ DCHM PCB Sockets

No. of Contacts	A Max.		B ±0.005 (0.13)		C ±0.010 (0.25)		D Max.	
	In.	mm.	in.	mm.	in.	mm.	in.	mm.
9 Socket	0.785	19.940	0.565	14.350	0.230	5.840	0.420	10.670
15 Socket	0.935	23.750	0.715	18.160	0.130	3.300	0.420	10.670
21 Socket	1.085	27.560	0.865	21.970	0.130	3.300	0.420	10.670
25 Socket	1.185	30.100	0.965	24.510	0.130	3.300	0.420	10.670
31 Socket	1.335	33.910	1.115	28.320	0.130	3.300	0.520	13.210
37 Socket	1.485	37.720	1.265	32.130	0.130	3.300	0.520	13.210

## Termination Arrangements

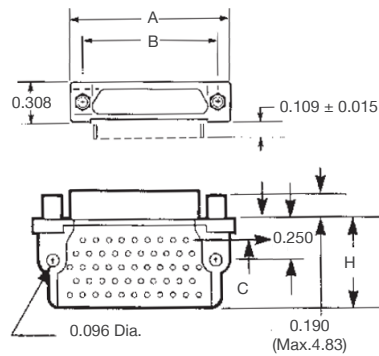
Per MIL-DTL-83513

(as viewed from bottom of terminal block)

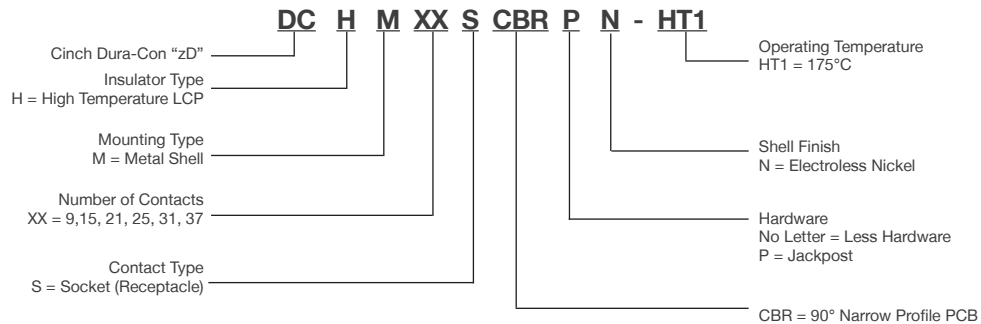


## Shell Dimensions

90° Narrow Termination Socket



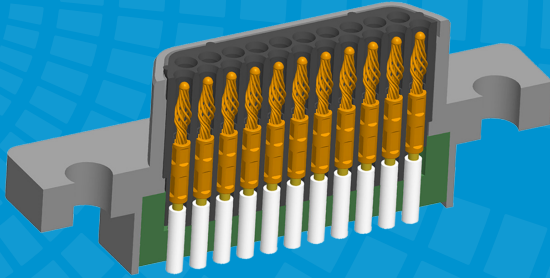
## How to Order



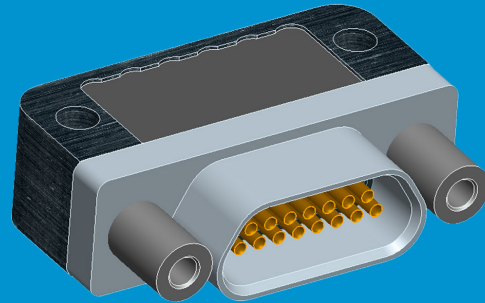
# Connection Technology

Our DCHM Dura-Con™ products are capable of meeting the extreme mechanical and electrical needs in the harshest environments of military/aerospace and industrial applications, such as downhole drilling. Cinch has teamed our proven twist pin technology with unique plug insulators that provide increased electrical protection between cavities.

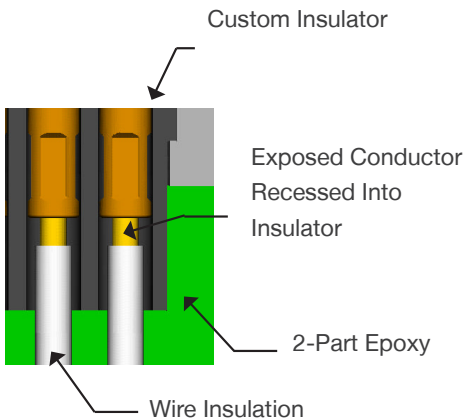
These plugs mate to our right angle PCB socket connectors, to make a connector system that offers superior performance. This technology also provides the confidence and reliability needed in high temperature, vibration and shock applications.



Dura-Con™ Plug (pin)



Dura-Con™ PCB Connector (socket)



Detail of Dura-Con™ Twist Pin

## Product Offerings

- Sizes: 9, 15, 21, 25, 31 and 37 (*contact factory for larger sizes*).
- Full harnessing capabilities ranging from simple point-point to complex with many branches
- Custom configurations and modifications available to fit unique packaging and design requirements

## Performance Characteristics

- Operating Temperature: -55°C to 175°C
- Shock: 50 G's per MIL-STD-1344, Method 2004, Condition E (EIA-364-27, Condition E)
- Vibration: 20 G's per MIL-STD-1344, Method 2005, Condition IV (EIA-364-28, Condition IV)

## Cinch's Twist Pin Advantage

- Combine the twist pin performance with increased temperature range
- BeCu wire strands provide seven points of electrical contact
- Achieve high mating cycles and better resistance to shock and vibration
- Approved system applications (Aerospace, Defense and Geo-Thermal)
- Qualified and approved to Mil-DTL-83513



+1 630.705.7524  
inquiry@us.cinch.com  
[cinch.com](http://cinch.com)

## X-ON Electronics

Largest Supplier of Electrical and Electronic Components

*Click to view similar products for [D-Sub Micro-D Connectors](#) category:*

*Click to view products by [Bel Fuse](#) manufacturer:*

Other Similar products are found below :

[M24308/4-6F](#) [65-1920-15](#) [M83513/03-G09N](#) [M83513/03-G12N](#) [M83513/04-D11C](#) [M83513/04-G04C](#) [M83513/22-D01NP](#) [664020C06F060](#)  
[6R2004A30F015](#) [6R4006A28A120](#) [704002A03F200](#) [705001A13F120](#) [7-1532020-5](#) [748567-1-P](#) [MDB1-9SH001](#) [MDM-100PH003L](#) [MDM-](#)  
[15PBS-L58](#) [MDM-15PCBRM7T](#) [MDM-15PH001M7-A174](#) [MDM-15PH003B-A174](#) [MDM-15SH001L](#) [MDM-15SH003A](#) [MDM-15SH004B](#)  
[MDM-15SH006A-A174](#) [MDM-15SH048B](#) [MDM-21SH003K](#) [MDM-25PH003B-A174](#) [MDM-25SH003F](#) [MDM-25SH003K](#) [MDM-](#)  
[37PH006L-A174](#) [MDM-37SH003K](#) [MDM51PH016FA174](#) [MDM-51PSF](#) [MDM-51SH046B](#) [MDM-9PH003M7](#) [MDM-9SH001P](#) [MDM-](#)  
[9SH006B](#) [790-027SH-10P4MEP](#) [790-041PJ-25P2MPA](#) [790-043PJ-7P7MPB](#) [791-004SH-66MSA](#) [7R3A00A19A1201](#) [7R5006A19A120](#)  
[803000C02M020](#) [803001B02M040](#) [8030N1A09M020](#) [804001B03M100](#) [804006B03M100](#) [804006C02M030](#) [MLDM2L-21SCBRP-.110](#)