

Printed Circuit Mount

MPC / DMPC Series

Triple Output Transformers

For 5 VDC and ± 12 VDC or ± 15 VDC Regulated Power Supplies

Signal's MPC and DMPC transformers have all of the performance features of our PC and DPC series.

General Specifications

- Power - 10 VA and 24 VA
- Dielectric Strength - 1500 Vrms Hipot
- Primaries - Single or dual primaries: 115 V or 115/230 V, 50-500 Hz
- Secondaries - Dual complementary outputs:
5 VDC with ± 12 VDC or 5 VDC with ± 15 VDC
- Insulation System - Class B, 130° C, UL 1446 E66312
- Mounting Brackets - Available for 10 & 24 VA sizes, part numbers 10-BR and 24-BR, respectively

Agency Certifications

- UL recognized to UL 506 / UL 5085-2, File # E63829
- CSA certified to C22.2 #66.1, File # 221070



MPC / DMPC Series Datasheet

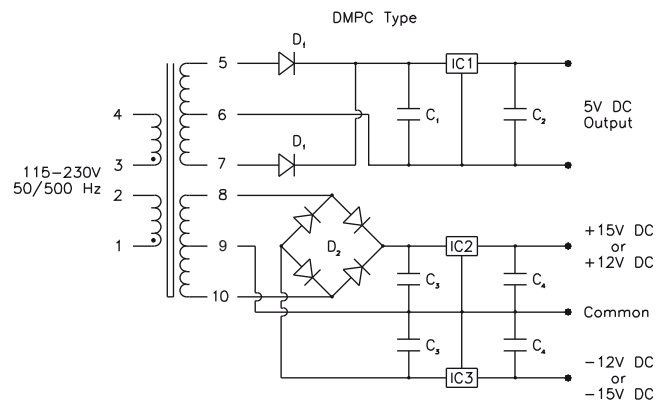
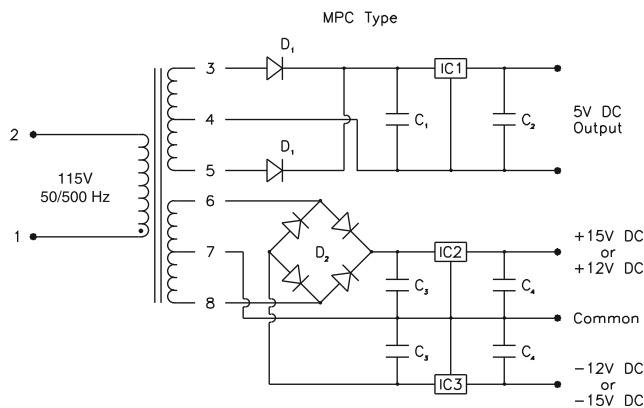
Part Number Selection

Part Number		DC Output		Size
Primary 50/500 Hz		Regulator I	Regulator II	
115 V 8 Pin	115/230 V 10 Pin			
MPC-X-12	DMPC-X-12	5 VDC @ 360 mA	±12 VDC @ 60mA	X
MPC-X-15	DMPC-X-15	5 VDC @ 360 mA	±15 VDC @ 50 mA	X
MPC-Y-12	DMPC-Y-12	5 VDC @ 835 mA	±12 VDC @ 150 mA	Y
MPC-Y-15	DMPC-Y-15	5 VDC @ 835 mA	±15 VDC @ 130 mA	Y

Suggested Components

Part Number		Size	Suggested Components							
Primary 50/500 Hz			C ₁	C ₂	C ₃	C ₄	D ₁ (2)	D ₂ (4)	IC ₁ *	IC ₂ *
115 V 8 Pin	115/230 V 10 Pin									
MPC-X-12	DMPC-X-12	X	2100 MFD 30 V	2.7 MFD 20 V	250 MFD 50 V	10 MFD 20 V	1N4001	1N4002	LM341P-5.0	LM326N
MPC-X-15	DMPC-X-15	X	2100 MFD 30 V	2.7 MFD 20 V	250 MFD 50 V	10 MFD 20 V	1N4001	1N4002	LM341P-5.0	LM325N
MPC-Y-12	DMPC-Y-12	Y	4000 MFD 20 V	2.7 MFD 20 V	1000 MFD 50 V	2.7 MFD 20 V	1N4001	1N4002	LM340K-5.0	LM326N
MPC-Y-15	DMPC-Y-15	Y	4000 MFD 20 V	2.7 MFD 20 V	1000 MFD 50 V	2.7 MFD 20 V	1N4001	1N4002	LM340K-5.0	LM325N

* National Semiconductor



Custom versions available upon request.



128 Atlantic Avenue, Lynbrook, NY 11563
Toll Free 866-239-5777 | Tel 516-239-5777 | Fax 516-239-7208
sales@signaltransformer.com | techhelp@signaltransformer.com

belfuse.com/signal

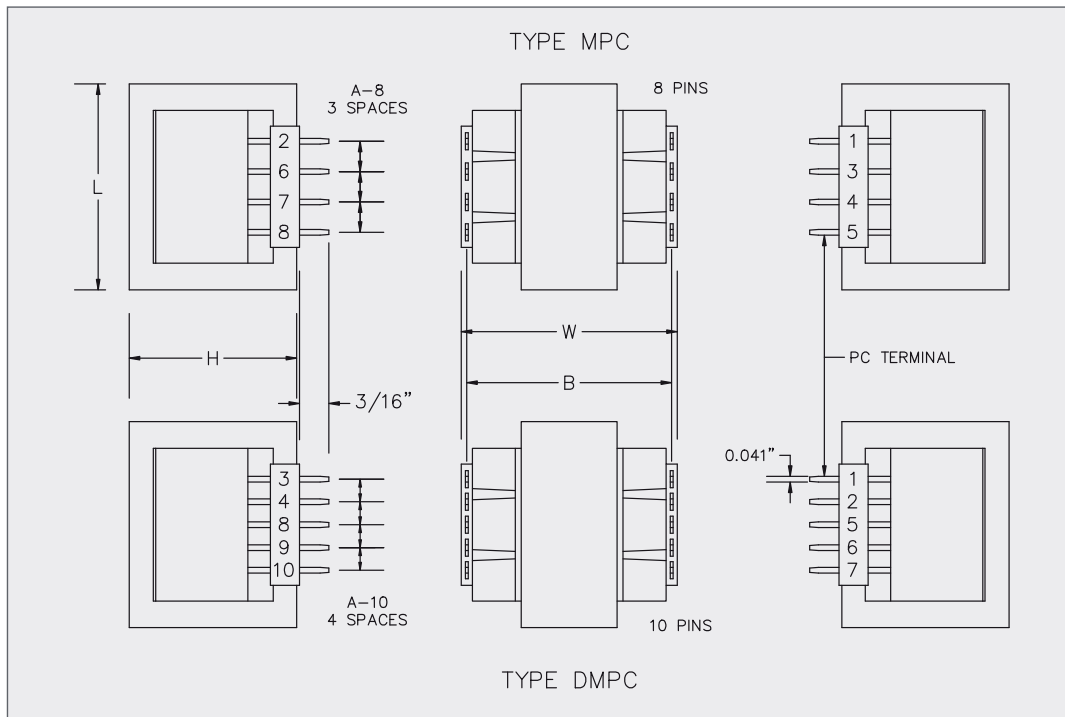
MPC / DMPC Series Datasheet

Mechanical Specifications

Size	L	W	H	A-8 8 Pin	A-10 10 Pin	B	Weight	Optional Bracket		
								Number	MW	MD
									Inches (mm)	
X	1.87 (47.6)	1.43 (36.5)	1.64 (41.7)	0.25 (6.4)	0.20 (5.1)	1.30 (33.0)	0.56 (0.25)	10-BR	1.64 (41.6)	1.12 (28.6)
Y	1.62 (41.3)	2.25 (57.2)	1.37 (34.9)	0.25 (6.4)	0.20 (5.1)	2.10 (53.3)	0.75 (0.34)	24-BR	1.37 (34.9)	2.00 (50.8)

* An optional slide on mounting bracket is available for sizes 10 & 24.
These brackets do not consume any additional board space but add 1/32" to the transformer's height.

See Accessories page for mounting brackets.



Custom versions available upon request.



128 Atlantic Avenue, Lynbrook, NY 11563
Toll Free 866-239-5777 | Tel 516-239-5777 | Fax 516-239-7208
sales@signaltransformer.com | techhelp@signaltransformer.com

belfuse.com/signal

X-ON Electronics

Largest Supplier of Electrical and Electronic Components

Click to view similar products for [Power Transformers](#) category:

Click to view products by [Bel Fuse](#) manufacturer:

Other Similar products are found below :

[ET-030A](#) [F-102X](#) [F-120X](#) [F-14X-1](#) [F-181U](#) [F-18A](#) [F-199U](#) [F-19X](#) [F-202U](#) [F-204U](#) [F-206U](#) [F-227X](#) [F-238U](#) [F-239U-1](#) [F-23U](#) [F24-250-B](#)
[F-242U](#) [F-245U](#) [F-264U](#) [F-265U](#) [F-267U](#) [F-281U](#) [F-283U](#) [F-290X](#) [F-295Z](#) [F-296Z](#) [F-298Z](#) [F-3143P](#) [F-3298Z](#) [F-33U](#) [F-346X](#) [F-35U](#) [F-](#)
[364U](#) [F-392A](#) [F-395X](#) [F-397U](#) [F-412X](#) [F-47U](#) [F-55X-1](#) [F-60U](#) [F-68U](#) [F-71U](#) [F-72Z](#) [F-74U](#) [F-83A](#) [F-84AC](#) [F-85U](#) [F-86U](#) [F-9U](#) [PCT-02](#)