

MT / DMT Series

Two-4-One™ Triple Output Transformers

For 5 VDC and ± 12 VDC or ± 15 VDC Regulated Power Supplies

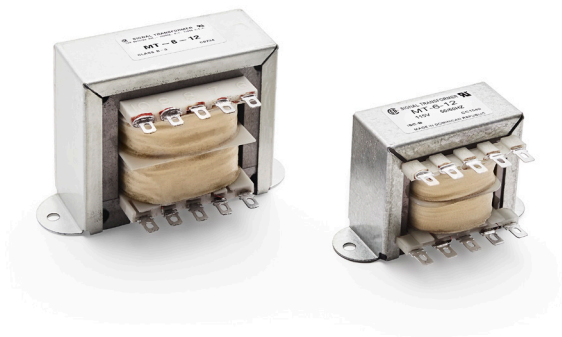
Signal's MT and DMT transformers have all of the performance features of our 241 series.

General Specifications

- Power - 30 VA, 56 VA and 100 VA
- Dielectric Strength - 2500 Vrms Hipot
- Primaries - Single or dual primaries 115 V or 115/230 V nominal, 50/60 Hz. Input range 100 V to 130 V or 200 V to 260 V
- Secondaries - Dual complementary outputs (5 VDC with ± 12 VDC or 5 VDC with ± 15 VDC)
- Terminals - Solder lug / quick connect type terminals
- Insulation - Class B (130° C) UL E66312
- RoHS compliant

Agency Certifications

- UL 1446 UL File # E66312
- UL recognized to UL 506 / UL5085-2, File # E63829
- CSA certified to C22.2 #66.1, File # 221070

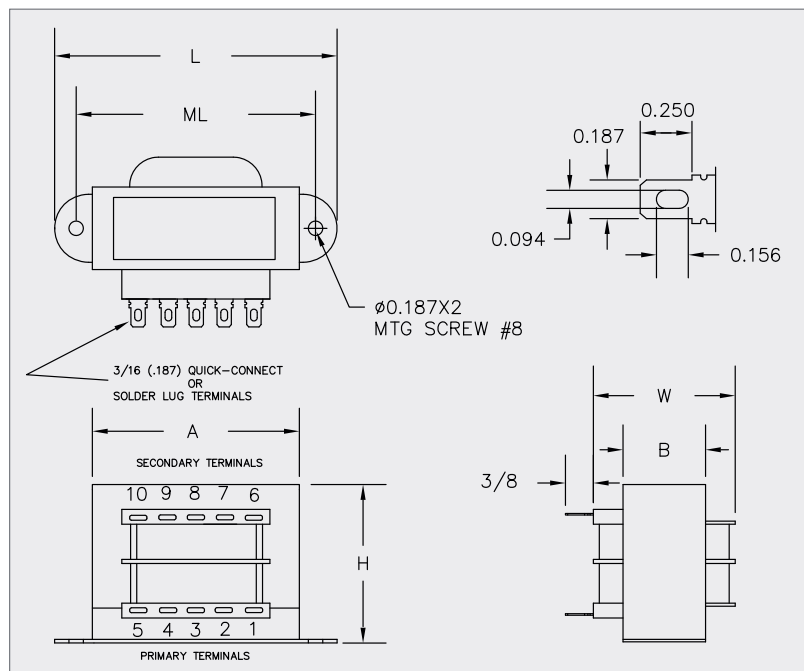


Part Number Selection

| Part Number - Primary 50/60 Hz | | DC Output | |
|--------------------------------|-----------|--------------|----------------|
| 115 V | 115/230 V | Regulator I | Regulator II |
| MT-6-12 | DMT-6-12 | 5 V @ 1.75 A | ±12 V @ 210 mA |
| MT-6-15 | DMT-6-15 | 5 V @ 1.75 A | ±15 V @ 175 mA |
| MT-7-12 | DMT-7-12 | 5 V @ 2.8 A | ±12 V @ 350 mA |
| MT-7-15 | DMT-7-15 | 5 V @ 2.8 A | ±15 V @ 280 mA |
| MT-8-12 | DMT-8-12 | 5 V @ 4 A | ±12 V @ 600 mA |
| MT-8-15 | DMT-8-15 | 5 V @ 4 A | ±15 V @ 500 mA |

Mechanical Specifications

| Size | Dimensions | | | | | | Weight |
|------|--------------|-------------|-------------|-------------|-------------|-------------|-------------|
| | L | W | H | A | B | ML (typ) | lbs (kg) |
| | Inches (mm) | | | | | | |
| 6 | 3.25 (82.6) | 1.74 (44.3) | 1.96 (49.8) | 2.35 (59.7) | 1.14 (28.9) | 2.81 (71.4) | 1.1 (0.50) |
| 7 | 3.68 (93.5) | 1.94 (49.2) | 2.28 (57.8) | 2.70 (68.4) | 1.14 (28.9) | 3.12 (79.4) | 1.7 (0.77) |
| 8 | 4.03 (102.4) | 2.30 (58.5) | 2.58 (65.5) | 3.08 (78.2) | 1.43 (36.2) | 3.56 (90.4) | 2.75 (1.25) |



Custom versions available upon request.



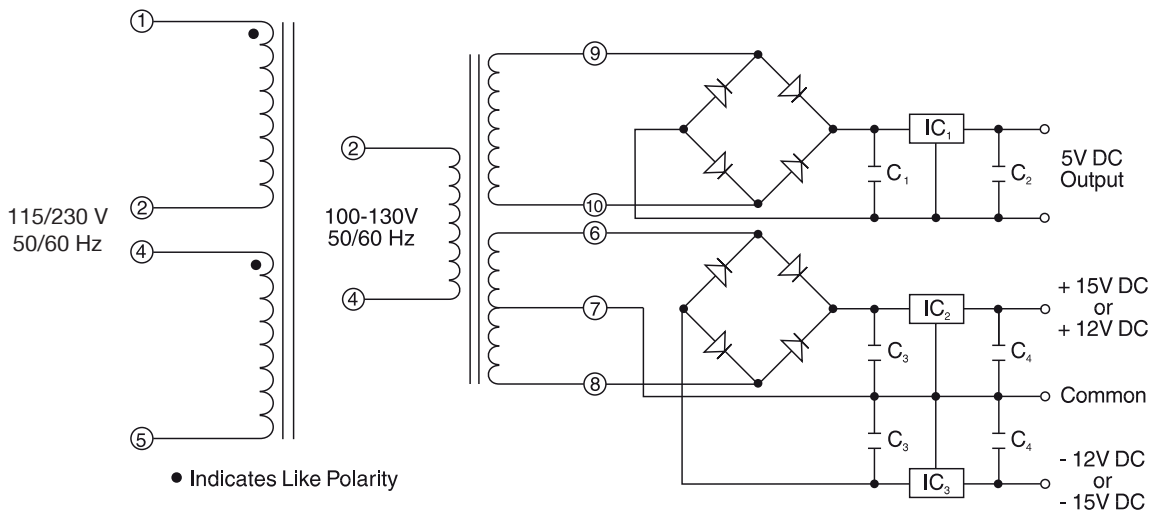
128 Atlantic Avenue, Lynbrook, NY 11563
 Toll Free 866-239-5777 | Tel 516-239-5777 | Fax 516-239-7208
 sales@signaltransformer.com | techhelp@signaltransformer.com

belfuse.com/signal

Suggested Components

| Part Number Primary 50/60 Hz | | Size | Suggested Components (C ₂ and C ₄ See Note 1) | | | | | | |
|---------------------------------|-----------|------|---|-------------------|---------------------|------------------|------------------|-----------------|-----------------|
| 115 V | 115/230 V | | C ₁ | C ₃ | IC1 ³ | IC2 ³ | IC3 ³ | D1 ⁴ | D2 ⁴ |
| MT-6-12 | DMT-6-12 | 6 | 10 KMFD @ 20 VDC | 1.5 KMFD @ 50 VDC | LM-323K-5 | LM-340K-12 | LM-320K-12 | 3N253 | 3N247 |
| MT-6-15 | DMT-6-15 | 6 | | | LM-323K-5 | LM-340K-15 | LM-320K-15 | 3N253 | 3N247 |
| MT-7-12 | DMT-7-12 | 7 | 15 KMFD @ 20 VDC | 2 KMFD @ 50 VDC | LM-323K-5 | LM-340K-12 | LM-320K-12 | MDA-400 | 3N247 |
| MT-7-15 | DMT-7-15 | 7 | | | LM-323K-5 | LM-340K-15 | LM-320K-15 | MDA-400 | 3N247 |
| MT-8-12 | DMT-8-12 | 8 | 26 KMFD @ 20 VDC | 3.1 KMFD @ 50 VDC | LM-338 ² | LM-340K-12 | LM-320K-12 | MDA-800 | 3N247 |
| MT-8-15 | DMT-8-15 | 8 | | | LM-338 ² | LM-340K-15 | LM-320K-15 | MDA-800 | 3N247 |

Note 1: Output capacitors C₂ and C₄ are required to stabilize regulators. Values can be 1 MFD min. tantalum or 10 MFD min. electrolytic, 20 V min.
 Note 2: LM-338 is an adjustable regulator and Mfr's specifications (National Semiconductor) should be consulted for values of external components.
 Note 3: All IC's are National Semiconductor types.
 Note 4: All diodes are Motorola types.



Custom versions available upon request.



128 Atlantic Avenue, Lynbrook, NY 11563
 Toll Free 866-239-5777 | Tel 516-239-5777 | Fax 516-239-7208
 sales@signaltransformer.com | techhelp@signaltransformer.com

belfuse.com/signal

X-ON Electronics

Largest Supplier of Electrical and Electronic Components

Click to view similar products for [Power Transformers](#) category:

Click to view products by [Bel Fuse](#) manufacturer:

Other Similar products are found below :

[ET-030A](#) [F-102X](#) [F-120X](#) [F-14X-1](#) [F-181U](#) [F-18A](#) [F-199U](#) [F-19X](#) [F-202U](#) [F-204U](#) [F-206U](#) [F-227X](#) [F-238U](#) [F-239U-1](#) [F-23U](#) [F24-250-B](#)
[F-242U](#) [F-245U](#) [F-264U](#) [F-265U](#) [F-267U](#) [F-281U](#) [F-283U](#) [F-290X](#) [F-295Z](#) [F-296Z](#) [F-298Z](#) [F-3143P](#) [F-3298Z](#) [F-33U](#) [F-346X](#) [F-35U](#) [F-](#)
[364U](#) [F-392A](#) [F-395X](#) [F-397U](#) [F-412X](#) [F-47U](#) [F-55X-1](#) [F-60U](#) [F-68U](#) [F-71U](#) [F-72Z](#) [F-74U](#) [F-83A](#) [F-84AC](#) [F-85U](#) [F-86U](#) [F-9U](#) [PCT-02](#)