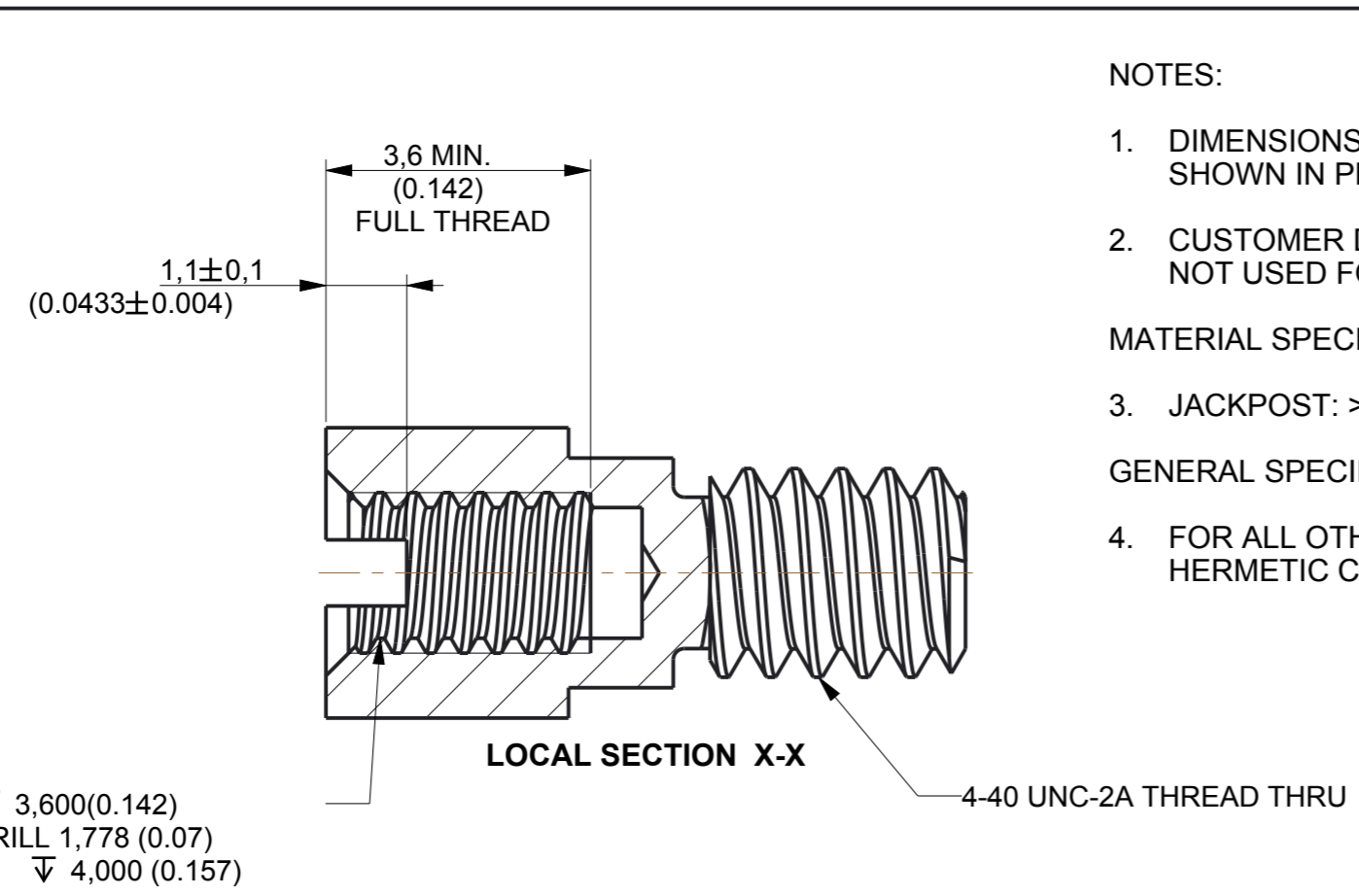


7
6
5
4
3
2
1

DN000080000R01_CUST

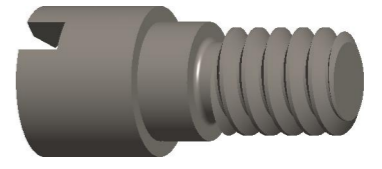
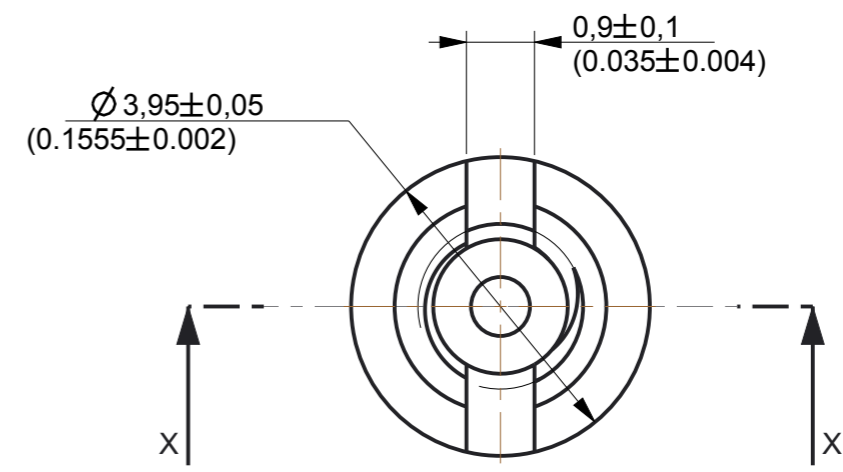
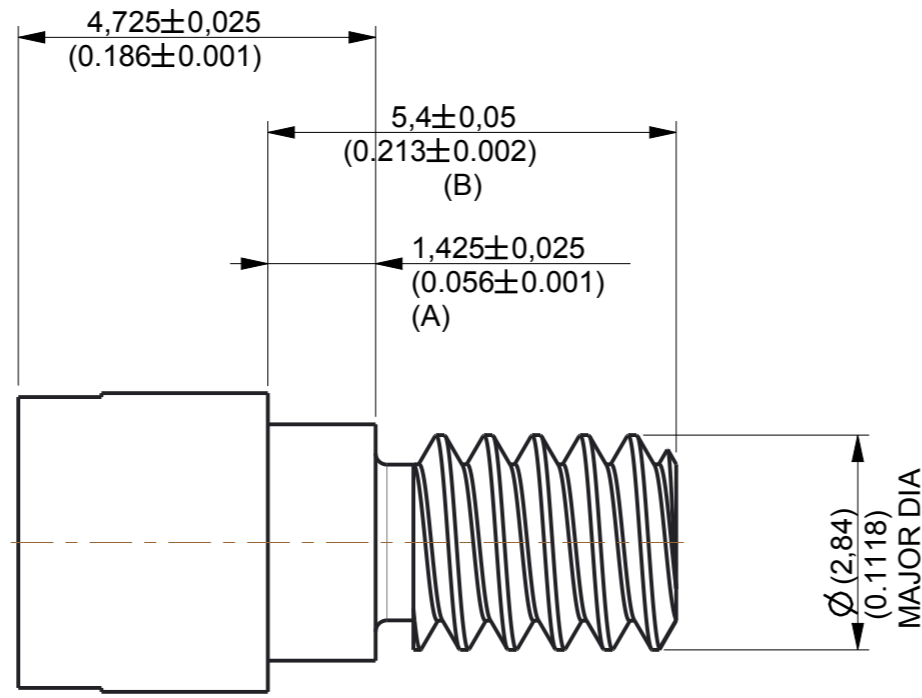
RELEVANT SPEC.	SHT	1	OF	1
NA	EX No.	10688-01		
PROJ MODEL FILE	DN000080000R01			

IF IN DOUBT - ASK
ALL DIMENSIONS ARE IN mm



- NOTES:
- DIMENSIONS ARE FOR REFERENCE ONLY. IMPERIAL DIMENSIONS SHOWN IN PERENTHESIS.
 - CUSTOMER DRAWING ONLY. NOT USED FOR CINCH MANUFACTURE.
- MATERIAL SPECIFICATIONS:
- JACKPOST: >303SS< PASSIVATE DIP PER SAE-AMS-QQ-P-35.
- GENERAL SPECIFICATIONS:
- FOR ALL OTHER DETAILS AND DIMENSIONS SEE CINCH DURA-CON HERMETIC CATALOGUE.

2-56 UNC-2B TAP ∇ 3,600(0.142)
#50 DRILL 1,778 (0.07)
 ∇ 4,000 (0.157)



SCALE 5,000

PART NUMBER	SALES_CODE	A	A_IMPERIAL	B	B_IMPERIAL	DESCRIPTION2
DN00008080PAR01	DN00008 08	0,625	0,025	4,600	0,181	2-56UNC REAR PNL J/POST (0.8)
DN00008120PAR01	DN00008 12	1,025	0,040	5,000	0,197	2-56UNC REAR PNL J/POST (1.2)
DN00008160PAR01	DN00008 16	1,425	0,056	5,400	0,213	2-56UNC REAR PNL J/POST (1.6)
DN00008240PAR01	DN00008 24	2,225	0,088	6,200	0,244	2-56UNC REAR PNL J/POST (2.4)
DN00008200PAR01	DN00008 20	1,825	0,072	5,800	0,228	2-56UNC REAR PNL J/POST (2.0)

ISSUE GROUPS
B



THIS DRAWING IS COPYRIGHT AND IS ISSUED ON CONDITION IT IS NOT COPIED, REPRODUCED OR DISCLOSED TO A THIRD PARTY WITHOUT THE CONSENT IN WRITING OF Cinch CONNECTIVITY SOLUTIONS LTD. ATTENTION IS DRAWN TO THE FACT THE ARTICLE DISCLOSED MAY BE COVERED BY BRITISH OR FOREIGN PATENTS, GRANTED OR PENDING OR REGISTERED DESIGN.

APPD		DATE		NPNR ECN		ISSUE	
		03-Oct-08		PRELIM.		A	
		02-Mar-17		IMP DIMS		C	
GEN. TOLERANCES		±0.1		1 DEC. PL.		±0.2	
2 DEC. PL.		±0.1		0 DEC. PL.		±0.5	
ANGULAR		±1		TOOL R. MAX.		0.18	

HARDWARE

REAR PANEL MOUNTING JACKPOST

DRN	M.BARRACLOUGH	DATE	30-Jan-09	SCALE	10,000	CHD	NOT
MATERIAL SPECIFICATION				APPD	NOT		
RAW MATL.				FINISHED HARDNESS		FINISH TREATMENT	
				COLOUR			

CODE	DESCRIPTION	ITEM	FINISH/MATL	QTY
	2-56UNC REAR PANEL JACKPOST	2		1
	2-56UNC REAR PANEL JACKPOST	1		1

A B C D E F G H I J K

X-ON Electronics

Largest Supplier of Electrical and Electronic Components

Click to view similar products for [D-Sub Tools & Hardware](#) category:

Click to view products by [Bel Fuse](#) manufacturer:

Other Similar products are found below :

[000-01-09-132](#) [000-01-21-132](#) [000-01-31-162](#) [572019-00105-70](#) [000-01-37-162](#) [621-250-113-115](#) [D110550-2](#) [D20418-137](#) [780-518-50SG6-WS](#) [86552009](#) [86553115TLF](#) [86553117TLF](#) [1230032-1](#) [1-5021101-2](#) [1589283-4](#) [160-000-005R031](#) [16-000230](#) [160-025-004R031](#) [160-000-137R000](#) [160-020-209R000](#) [164C03939A](#) [177-505-A-2-2](#) [1-966830-8](#) [21018-6](#) [21028-2](#) [2-1393560-9](#) [JS-1000](#) [L17D204182M3E](#) [L17D53018](#) [300X10779X](#) [160X10189X](#) [160X10419X](#) [160X10959X](#) [162-000-050R000](#) [21018-5](#) [212561-3](#) [248C21550X](#) [CF15P](#) [QLOCKPOST-2](#) [D110277](#) [500-008NF1K-01](#) [500-008NF3R3KS-01](#) [500-017M09FN](#) [500-017M15MHN](#) [500-024M1](#) [500-068M3](#) [5-1393561-5](#) [C115373-0001](#) [C115373-0002](#) [3342-4-KIT](#)