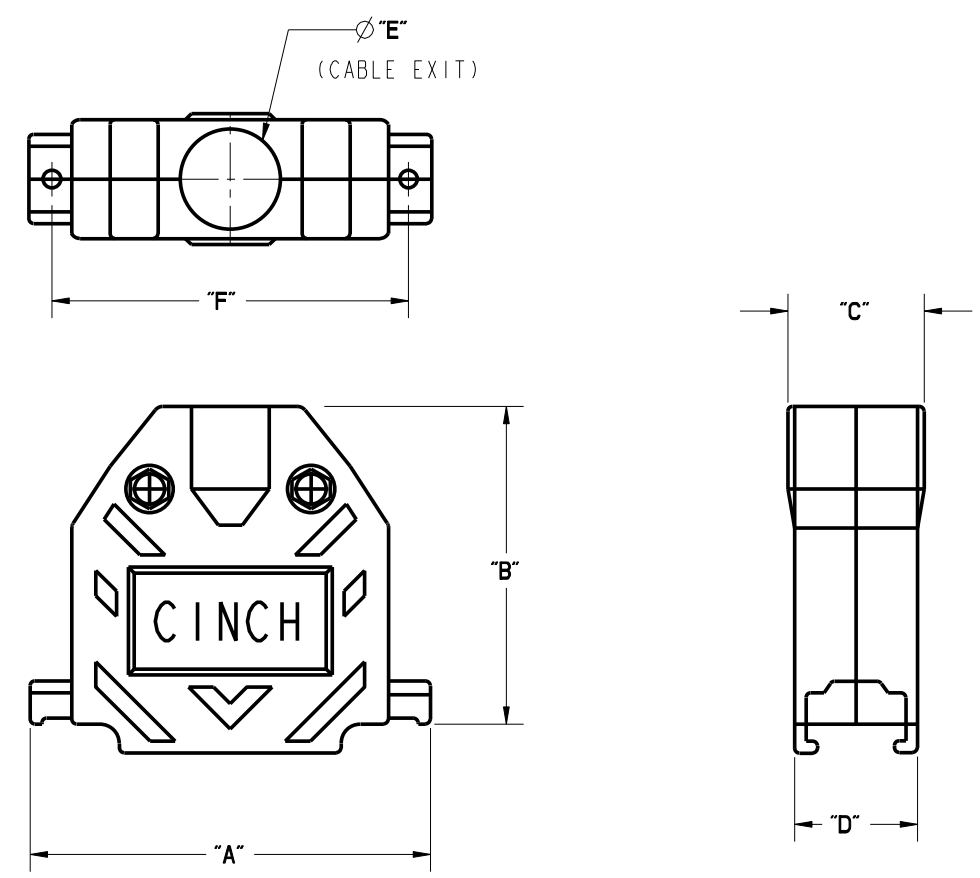


DRAWING REVISIONS

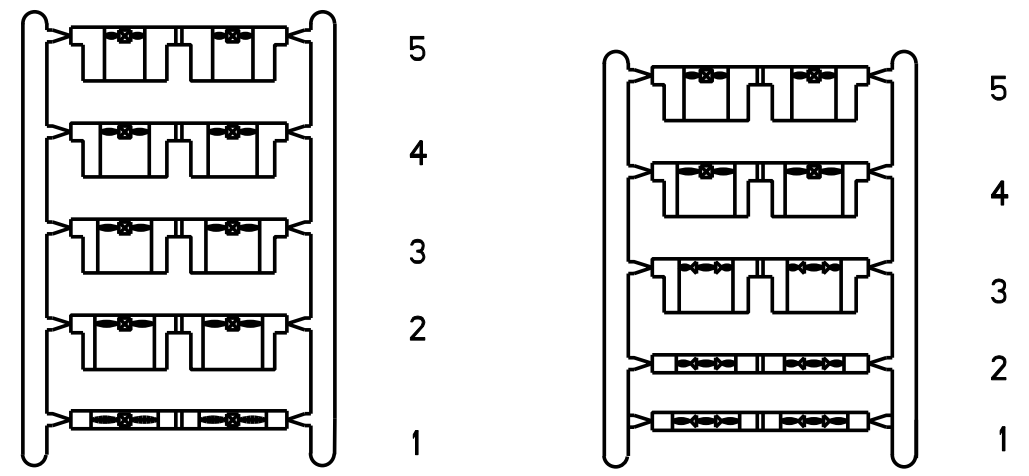
REV	DOCUMENT	APP	DATE
1	DO 05-1162		

NOTES:

- SPECIFICATIONS:
 - A. COVER - PLASTIC, ABS (BLACK) POLYMER
 - B. INSERTS - PLASTIC, POLYPROPYLENE (BLACK)
 - C. HARDWARE
 - SCREWS # 4-40
 - HEX NUTS # 4-40
 - SCREW MOUNTING BRACKET, STEEL, ZINC PLATE WITH CLEAR CHROMATE ROHS COMPLIANT.
- DIMENSIONS IN [] ARE IN MILLIMETERS.



SIZE	CATALOG PART NUMBER	FACTORY NUMBER	"A"	"B"	"C"	"D"	"E"	"F"
9	DPH-E-003	702 49 09 020	1.225 [31.12]	1.547 [32.29]	.640 [16.26]		.400 [10.16]	.984 [24.99]
15	DPH-A-003	702 49 15 020	1.540 [39.12]	1.516 [38.51]		.645 [16.38]		1.312 [33.32]
25	DPH-B-003	702 49 25 020	2.090 [53.09]	1.655 [42.04]	.710 [18.03]		.522 [13.26]	1.857 [47.17]



INSERTS 9-15 SIZES

INSERTS 25 SIZE

ROHS COMPLIANT

UNITS ENGLISH		PRO/E	Cinch	MODELED BY:
DO NOT SCALE DRAWING	DRAWN BY V. SKUZA	DATE 07/19/05	TITLE PLASTIC HOOD D-SUB BACKSHELLS-2 PIECE	1700 FINLEY RD LOMBARD, IL. 60148
	DESIGN ENGINEER A. BALI	07/19/05	MATERIAL	CONTROL SPEC NUMBER
	DESIGN ENGINEERING MGR.		MATERIAL SPEC NUMBER	PROJECT NUMBER C14766
THIS DOCUMENT IS THE PROPERTY OF CINCH. NEITHER THIS DOCUMENT NOR ANY OF THE INFORMATION CONTAINED IN IT MAY BE DUPLICATED OR DISCLOSED WITHOUT PRIOR WRITTEN CONSENT OF CINCH.	MFG. ENGINEERING S. ASASKAS	07/27/05	CAD FILE NUMBER DPH-X-003	DRAWING NUMBER DPH-X-003
	QUALITY ASSURANCE A. VAZQUEZ	07/27/05	CAGE IDENT NO. SIZE 71785 B	SCALE 1:1 SHEET 1 OF 1

X-ON Electronics

Largest Supplier of Electrical and Electronic Components

Click to view similar products for [D-Sub Backshells](#) category:

Click to view products by [Bel Fuse](#) manufacturer:

Other Similar products are found below :

[M85049/6-38N](#) [M85049/86-12N03](#) [M85049/90-13P03](#) [70.350.0636.4](#) [70.350.2435.1](#) [72.350.1035.2](#) [72.352.2435.1](#) [73.359.4035.3](#) [829472-1](#)
[PCS-E20W](#) [970-015-040R011](#) [970-025-040R011](#) [971-009-030R121](#) [971-009-040R011](#) [971-015-040R011](#) [1437013-9](#) [1484402-8](#) [156-3025-](#)
[EX](#) [16-500800](#) [165X02659X](#) [165X03329A](#) [165X03399A](#) [165X10259X](#) [165X11759X](#) [165X11889X](#) [165X13019X](#) [165X13029X](#)
[165X13169X](#) [165X13199X](#) [165X13239X](#) [165X13389X](#) [165X13489X](#) [165X14219X](#) [165X14449X](#) [165X17409X](#) [165X17439X](#)
[165X17569X](#) [165X17599X](#) [165X17609X](#) [165X17889X](#) [165X17979X](#) [L171373](#) [971-025-030R121](#) [300X10989X](#) [165X02609X](#)
[165X02689X](#) [165X04219A](#) [165X10469X](#) [165X11279X](#) [165X11789X](#)