

190mm Plastic Backward Centrifugal Fan

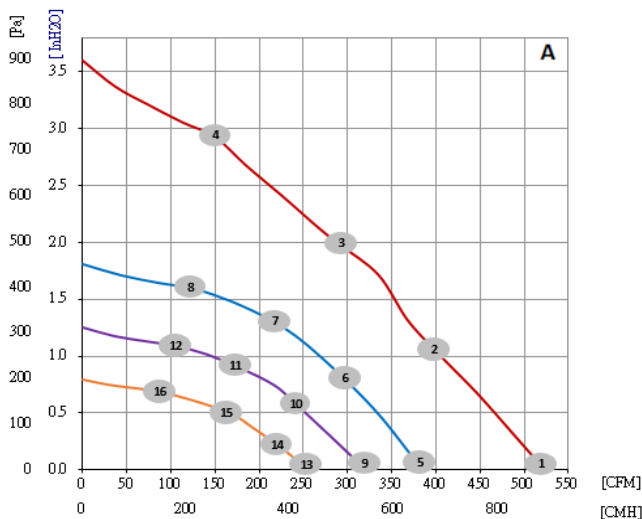
Characteristics:

- Material:**
Impeller: Plastic
Rotor: Zinc Plating Steel
Electronics housing: Die-cast aluminium
- Number of blades:** 7
- Direction of rotation:** Clockwise viewed toward rotor
- Insulation class:** "B"
- Installation position:** Any
- Degree of protection:** IP54
- Condensation drainage holes:** None
- Mode:** Continuous operation (S1)
- Mounting:** Maintenance-free ball bearings
- Technical features:** Controller input PWM or PWM/0-10V
- Cable exit:** Variable
- Protection class:** I (with customer connection of protective earth)
- Conformity with standards:** EN 60335-1
- Weight:** 1.4KG



Performance:

Nominal data	Platform	Curve	Nominal voltage range	Frequency	Speed*	Max input power*	Max input current*	Operating ambient temp	Life time	PWM	PWM/0-10V
Type	Motor		VAC	Hz	rpm	W	A	°C	Hr		
ECO190CB235072112	OD72	A	230	50 / 60	3750	130	1.04	-20 to +60	40,000	●	
ECO190CB235072212											●



	n (rpm)	P1 (W)	I (A)	η (%)	P (Pa)	P (InH ₂ O)	Q (CMH)	Q (CFM)
①	4010	135	1.03	—	0	0	889	524
②	3740	135	1.04	36.3	261	1.05	679	400
③	3750	136	1.04	49.7	493	1.98	494	291
④	3980	136	1.04	37.8	729	2.93	254	150
⑤	2980	59	0.51	—	0	0	654	385
⑥	2980	74	0.61	37.6	199	0.80	505	298
⑦	2980	71	0.59	46.7	327	1.31	365	215
⑧	2980	63	0.53	37.3	397	1.59	215	126
⑨	2490	37	0.34	—	0	0	543	320
⑩	2490	46	0.40	36.2	146	0.59	408	240
⑪	2490	43	0.38	43.2	224	0.90	301	177
⑫	2490	39	0.35	34.4	273	1.09	178	105
⑬	1990	22	0.21	—	0	0	431	254
⑭	1990	24	0.23	22.8	53	0.21	375	221
⑮	1990	25	0.24	38.4	122	0.49	287	169
⑯	1990	23	0.22	30.2	172	0.69	145	85

190mm Plastic Backward Centrifugal Fan

Drawing:

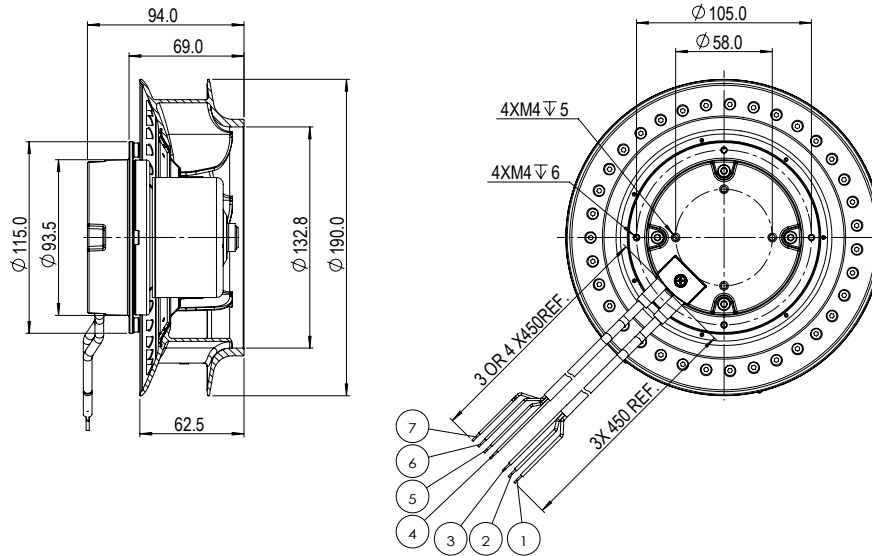
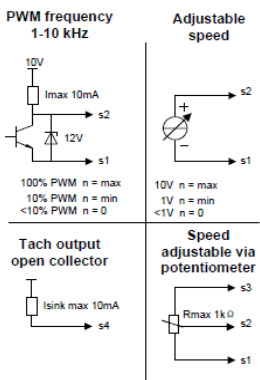
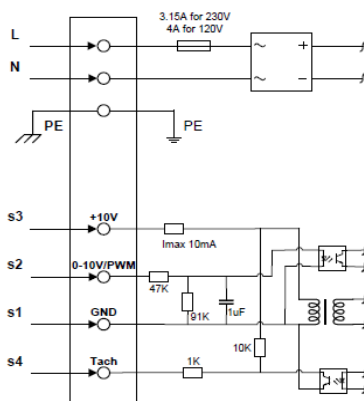


Diagram:

Customer circuit



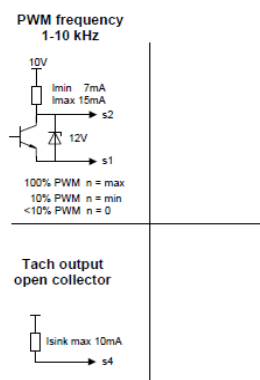
Interface Fan/Motor



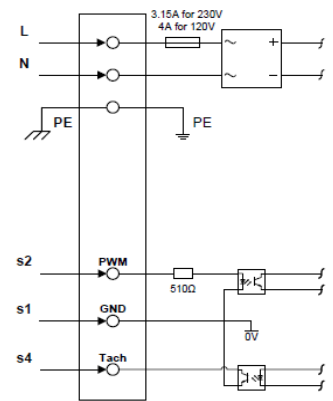
No.	DESIGNATION	COLOR	ASSIGNMENT
1	L	BROWN	POWER SUPPLY
2	N	BLUE	NEUTRAL
3	PE	GREEN/YELLOW	GROUND CONNECTION
4	GND	BLACK	GND CONNECTION FOR CONTROL INTERFACE, SELV
5	PWM/0-10V	YELLOW	CONTROL INPUT PWM/0-10V, SELV
6	TACH	WHITE	TACH OUT, SELV
7	+10V	RED	VOLTAGE OUTPUT 10 VDC, SELV

PWM/0-10V

Customer circuit



Interface Fan/Motor



NO.	DESIGNATION	COLOR	ASSIGNMENT
1	L	BROWN	POWER SUPPLY
2	N	BLUE	NEUTRAL
3	PE	GREEN/YELLOW	GROUND CONNECTION
4	GND	BLACK	GND CONNECTION FOR CONTROL INTERFACE, SELV
5	PWM	YELLOW	CONTROL INPUT PWM, SELV
6	TACH	WHITE	TACH OUT, SELV

PWM

X-ON Electronics

Largest Supplier of Electrical and Electronic Components

Click to view similar products for [EC Fans](#) category:

Click to view products by [Bel Fuse](#) manufacturer:

Other Similar products are found below :

[CF2082HVL-1000U-999](#) [R3G190-RY85-P1](#) [CF2072HVL-1000U-999](#) [CF4113HBT-1000U-A99](#) [CF4113MBT-1000U-A99](#) [K3G190-RG19-17](#)
[VBH0190RSLEZ](#) [CF4113HBL-000U-ABD](#) [ACi4400H](#) [CF4113LBT-000U-A99](#) [CF4113MBL-000U-AA9](#) [9AD1201H1H](#) [ACi4400L](#)
[CF4113LBL-000U-AE9](#) [CF4113HBT-000U-A99](#) [3238.500](#) [3241.500](#) [CF4113MBL-000U-AE9](#) [W2G107-AD03-02](#) [ACi4400HH](#)
[ACI4400MLR](#) [8218J/2H3](#) [AC100NR](#) [ECO190CB126072212](#) [ECO225CB235072210](#) [ECO225CB126072210](#) [CF2092HVL-1000U-999](#)
[CF4113HBL-000U-AE9](#) [AFL12AUHE-C](#) [AFL15AUHS](#) [AFL22AUHW-R220DH](#) [AFL2224HW-00](#) [AFL2212LW-00GYQ](#) [AFL2524HW-00](#)
[AFL25AUHW-P1](#) [GTW012FU804](#) [8218JH3](#) [AC3200JH](#) [AC4300H](#) [AC8300H](#) [ACi4410HH](#) [ACi4420H](#) [ACi4420HH](#) [ACI4420ML](#)
[ACI4420N](#) [W1G130-AA25-01](#) [W1G130-AA49-01](#) [W1G200-CH77-52](#) [W1G200-EF01-01](#) [W1G230-EB89-01](#)