

225mm Plastic Backward Centrifugal Fan

Characteristics:

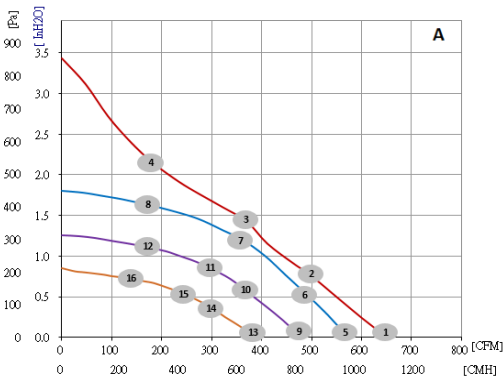
- Material: Impeller: Plastic
Rotor: Zinc Plating Steel
Electronics housing: Die-cast aluminium
- Number of blades: 7
- Direction of rotation: Clockwise viewed toward rotor
- Insulation class: "B"
- Installation position: Any
- Degree of protection: IP54
- Condensation drainage holes: None
- Mode: Continuous operation (S1)
- Mounting: Maintenance-free ball bearings
- Technical features: Controller input PWM or PWM/0-10V
- Cable exit: Variable
- Protection class: I (with customer connection of protective earth)
- Conformity with standards: EN 60335-1 /UL1004-3
- Weight: 1.5KG



Performance:

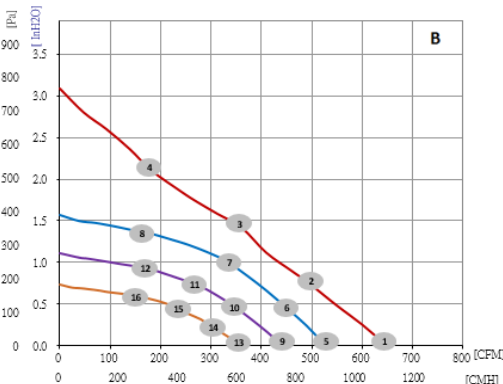
Nominal data	Platform	Curve	Nominal voltage range	Frequency	Speed*	Max input power*	Max input current*	Operating ambient temp	Life time	PWM	PWM/0-10V
Type	Motor		VAC	Hz	rpm	W	A	°C	Hr		
ECO225CB235072110	OD72	A	230	50 / 60	2670	130	1.04	-20 to +60	40,000	●	
ECO225CB235072210					2630					●	
ECO225CB126072110		B	120		2670		1.77			●	
ECO225CB126072210					2630					●	

230V
50Hz



n (rpm)	P1 (W)	I (A)	η (%)	P (Pa)	P (inH ₂ O)	Q (CMH)	Q (CFM)
① 2865	130	1.04	—	0	0	1102	649
② 2660	130	1.04	34.4	192	0.77	845	498
③ 2670	130	1.04	47.9	358	1.44	629	370
④ 2840	131	1.04	35.4	538	2.16	311	183
⑤ 2490	85	0.71	—	0	0	972	572
⑥ 2490	103	0.84	29.4	131	0.53	832	490
⑦ 2490	106	0.87	47.9	239	1.20	614	361
⑧ 2490	91	0.76	37.7	403	1.62	307	181
⑨ 2090	52	0.46	—	0	0	813	479
⑩ 2090	67	0.57	36	137	0.55	633	373
⑪ 2090	65	0.55	45.8	211	0.85	507	298
⑫ 2090	58	0.51	38	277	1.11	289	170
⑬ 1690	30	0.28	—	0	0	656	386
⑭ 1690	37	0.34	35	91	0.37	508	299
⑮ 1690	36	0.33	43	137	0.55	407	239
⑯ 1690	33	0.31	35.3	181	0.73	231	136

120V
60Hz



n (rpm)	P1 (W)	I (A)	η (%)	P (Pa)	P (inH ₂ O)	Q (CMH)	Q (CFM)
① 2850	130	1.77	—	0	0	1099	647
② 2620	130	1.77	33.4	186	0.75	839	494
③ 2630	130	1.77	46	353	1.42	613	361
④ 2800	130	1.77	34.4	524	2.10	308	182
⑤ 2280	68	0.99	—	0	0	895	527
⑥ 2280	83	1.18	28.5	111	0.45	767	452
⑦ 2280	85	1.22	45.9	250	1.00	564	332
⑧ 2280	75	1.09	36.8	336	1.35	297	175
⑨ 1930	42	0.66	—	0	0	753	443
⑩ 1930	54	0.81	35.4	117	0.47	589	347
⑪ 1930	52	0.79	44.7	178	0.71	474	279
⑫ 1930	50	0.75	39.3	227	0.91	310	182
⑬ 1570	25	0.41	—	0	0	611	360
⑭ 1570	29	0.47	26.6	54	0.22	518	305
⑮ 1570	30	0.48	41.9	114	0.46	395	232
⑯ 1570	29	0.47	37.4	148	0.59	260	153

225mm Plastic Backward Centrifugal Fan

Drawing:

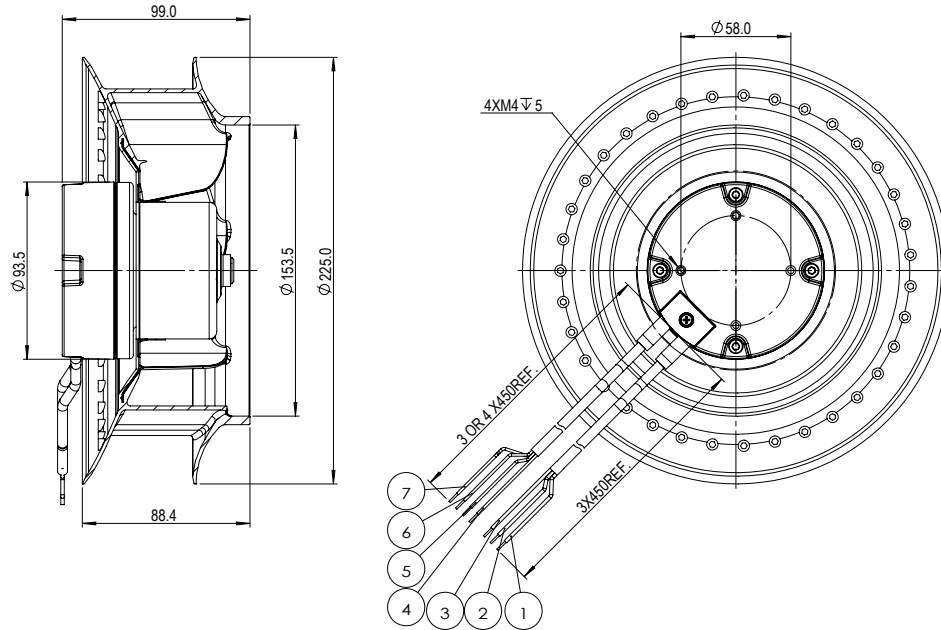
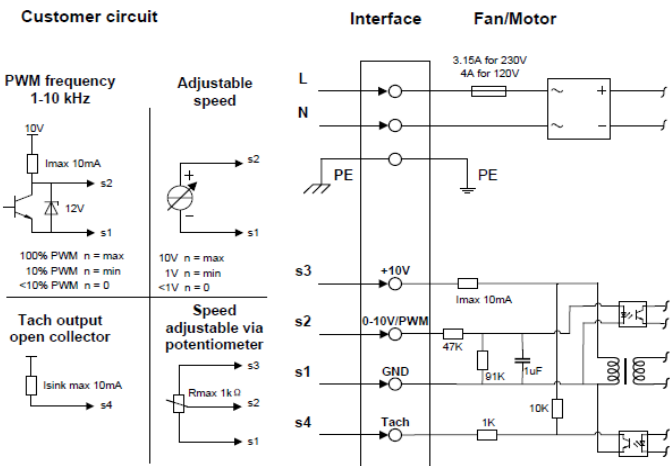
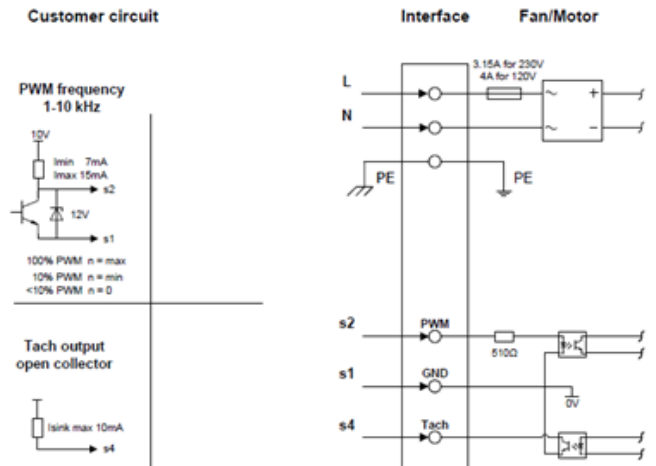


Diagram:



PWM/0-10V



PWM

No.	DESIGNATION	COLOR	ASSIGNMENT
1	L	BROWN	POWER SUPPLY
2	N	BLUE	NEUTRAL
3	PE	GREEN/YELLOW	GROUND CONNECTION
4	GND	BLACK	GND CONNECTION FOR CONTROL INTERFACE, SELV
5	PWM/0-10V	YELLOW	CONTROL INPUT PWM/0-10V, SELV
6	TACH	WHITE	TACH OUT, SELV
7	+10V	RED	VOLTAGE OUTPUT 10 VDC, SELV

NO.	DESIGNATION	COLOR	ASSIGNMENT
1	L	BROWN	POWER SUPPLY
2	N	BLUE	NEUTRAL
3	PE	GREEN/YELLOW	GROUND CONNECTION
4	GND	BLACK	GND CONNECTION FOR CONTROL INTERFACE, SELV
5	PWM	YELLOW	CONTROL INPUT PWM, SELV
6	TACH	WHITE	TACH OUT, SELV

X-ON Electronics

Largest Supplier of Electrical and Electronic Components

Click to view similar products for [EC Fans](#) category:

Click to view products by [Bel Fuse](#) manufacturer:

Other Similar products are found below :

[CF2082HVL-1000U-999](#) [R3G190-RY85-P1](#) [CF2072HVL-1000U-999](#) [CF4113HBT-1000U-A99](#) [CF4113MBT-1000U-A99](#) [K3G190-RG19-17](#)
[VBH0190RSLEZ](#) [CF4113HBL-000U-ABD](#) [ACi4400H](#) [CF4113LBT-000U-A99](#) [CF4113MBL-000U-AA9](#) [9AD1201H1H](#) [ACi4400L](#)
[CF4113LBL-000U-AE9](#) [CF4113HBT-000U-A99](#) [3238.500](#) [3241.500](#) [CF4113MBL-000U-AE9](#) [W2G107-AD03-02](#) [ACi4400HH](#)
[ACI4400MLR](#) [8218J/2H3](#) [AC100NR](#) [ECO190CB126072212](#) [ECO225CB235072210](#) [ECO225CB126072210](#) [CF2092HVL-1000U-999](#)
[CF4113HBL-000U-AE9](#) [AFL12AUHE-C](#) [AFL15AUHS](#) [AFL22AUHW-R220DH](#) [AFL2224HW-00](#) [AFL2212LW-00GYQ](#) [AFL2524HW-00](#)
[AFL25AUHW-P1](#) [GTW012FU804](#) [8218JH3](#) [AC3200JH](#) [AC4300H](#) [AC8300H](#) [ACi4410HH](#) [ACi4420H](#) [ACi4420HH](#) [ACI4420ML](#)
[ACI4420N](#) [W1G130-AA25-01](#) [W1G130-AA49-01](#) [W1G200-CH77-52](#) [W1G200-EF01-01](#) [W1G230-EB89-01](#)