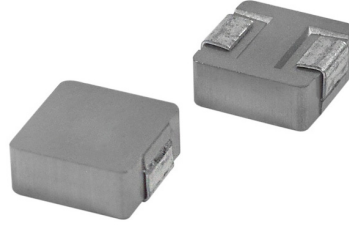


## SERIES: F1D1-0603 | DESCRIPTION: HIGH CURRENT SHIELDED POWER INDUCTOR

### FEATURES

- Shielded construction
- Lowest height and DCR for a given package footprint
- Attenuates high transient current spikes to avoid saturation
- Composite construction for audible noise reduction



MODEL	Inductance (L0) [μH]	DC Resistance (DCR)		Saturation Current (Isat) typ [A]	Temperature Rise Current (Irms) typ [A]
		typ [Ω]	max [Ω]		
F1D1-060603-1R0M	1.0	7.0	8.0	9.5	12.5
F1D1-060603-1R5M	1.5	10.2	12.0	8.5	10.5
F1D1-060603-2R2M	2.2	14.7	16.5	7.0	9.0
F1D1-060603-3R3M	3.3	23.5	26.0	6.5	7.0
F1D1-060603-4R7M	4.7	29.5	33.4	4.0	6.0
F1D1-060603-6R8M	6.8	41.0	46.8	4.0	5.5
F1D1-060603-8R2M	8.2	52.5	54.9	4.0	5.0
F1D1-060603-100M	10.0	64.5	71.2	3.5	4.0
F1D1-060603-150M	15.0	108.0	118.0	4.0	3.0
F1D1-060603-220M	22.0	126.0	135.0	2.5	2.9
F1D1-060603W-R22M	0.22	2.5	3.0	34.0	24.0
F1D1-060603W-R33M	0.33	3.0	3.5	25.0	21.0
F1D1-060603W-R47M	0.47	3.5	4.1	20.0	18.0
F1D1-060603W-R56M	0.56	3.8	4.5	18.0	16.5
F1D1-060603W-R68M	0.68	4.5	5.3	17.0	16.0
F1D1-060603W-R82M	0.82	5.1	6.0	16.0	14.0
F1D1-060603W-1R0M	1.0	6.4	7.4	15.0	12.0
F1D1-060603W-1R5M	1.5	10.1	12.1	12.0	12.0
F1D1-060603W-2R2M	2.2	13.2	15.0	10.0	9.5
F1D1-060603W-3R3M	3.3	19.1	22.0	9.5	8.5
F1D1-060603W-4R7M	4.7	29.4	33.0	9.0	6.0
F1D1-060603W-5R6M	5.6	36.8	42.0	6.5	5.5
F1D1-060603W-6R8M	6.8	44.0	48.0	6.0	5.0
F1D1-060603W-8R2M	8.2	56.0	60.0	5.5	5.0
F1D1-060603W-100M	10.0	60.0	68.0	5.5	4.5
F1D1-060603W-150M	15.0	100	113	4.0	3.0
F1D1-060603W-220M	22.0	138	170	3.0	2.5
F1D1-060603W-330M	33.0	183	270	2.5	2.0
F1D1-060603W-470M	47.0	354	385	2.0	1.5

Notes:

1. Referenced ambient temperature 25°C
2. Test Condition: 100 kHz, 0.25 Vrms
3. Saturation Current - Isat (Typ): DC current (A) that will cause L<sub>0</sub> to drop approximately 30%
- Temperature Rise Current - I<sub>rms</sub> (Typ): DC current (A) that will cause the temperature increase by ΔT of 40°C
4. Operating temperature range includes self-temperature rise
5. Operating Temperature: -55°C to 125°C

## PART NUMBER KEY

**F1D1 - 060603W - XXX X**

Type / Product Series

F1D1 = High Current Shielded SMD Inductor

Form Factor

060603  
060603W

Inductance Tolerance

M = ±20%

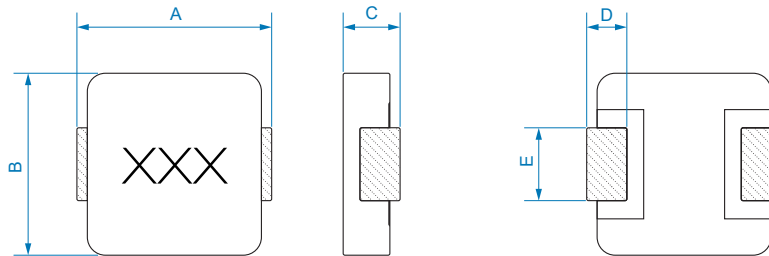
Inductance \*

R47 = 0.47 μH

\* Note: Inductance expressed by three figures. The unit is micro henry (μH). The first and second figures are significant digits, the third figure expresses the number of zeros which follow the two figures. If there is a decimal point, it is expressed by the capital letter "R" (3R8 = 3.8 μH). In that case, all figures are significant digits.

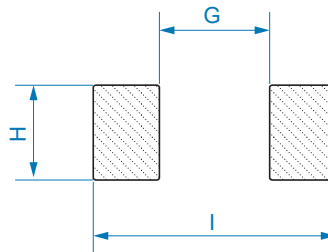
## MECHANICAL DRAWING

Units: mm



## PAD LAYOUT

Units: mm

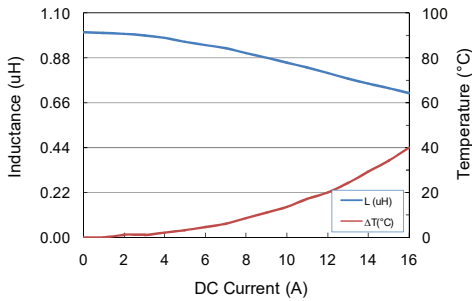


### MECHANICAL DIMENSIONS (mm)

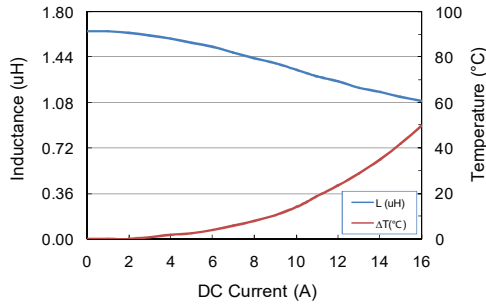
Product Series	A max	B max	C max	D	E	G	H	I
F1D1-060603	7.1 ± 0.3	6.6 ± 0.2	2.8 ± 0.2	1.6 ± 0.3	3.0 ± 0.5	3.7	3.5	8.0
F1D1-060603W	7.0 ± 0.3	6.6 ± 0.2	2.8 ± 0.2	1.6 ± 0.3	3.0 ± 0.3	3.7	3.5	8.4

## PERFORMANCE CURVES

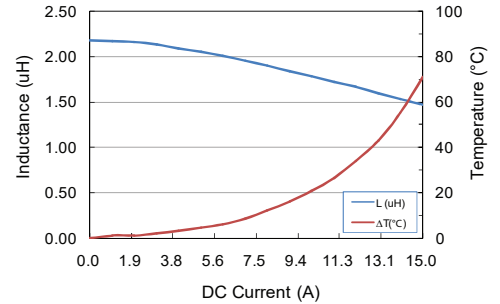
**F1D1-060603-1R0M**



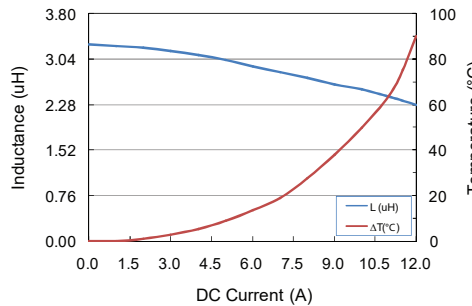
**F1D1-060603-1R5M**



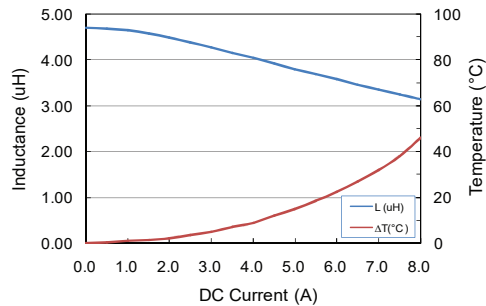
**F1D1-060603-2R2M**



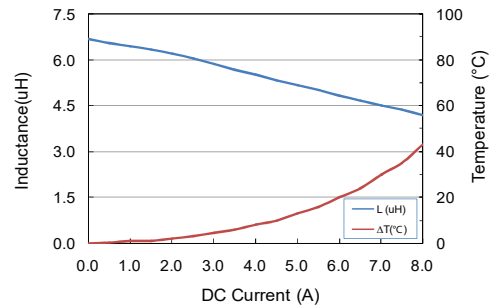
**F1D1-060603-3R3M**



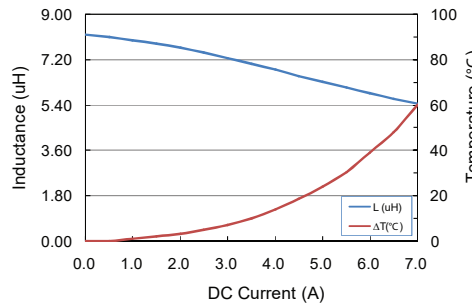
**F1D1-060603-4R7M**



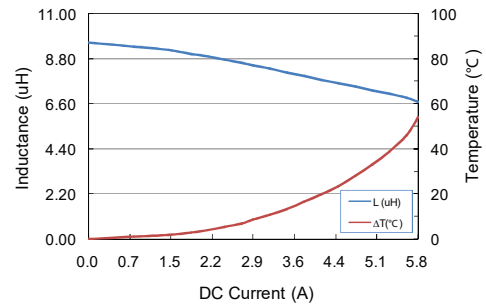
**F1D1-060603-6R8M**



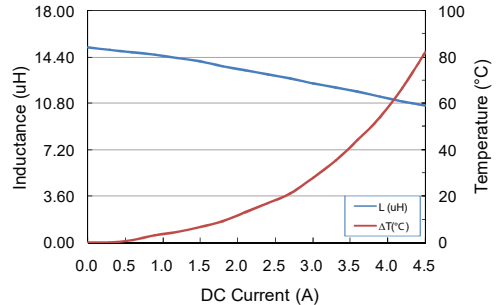
**F1D1-060603-8R2M**



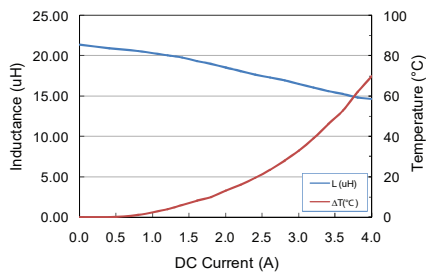
**F1D1-060603-100M**



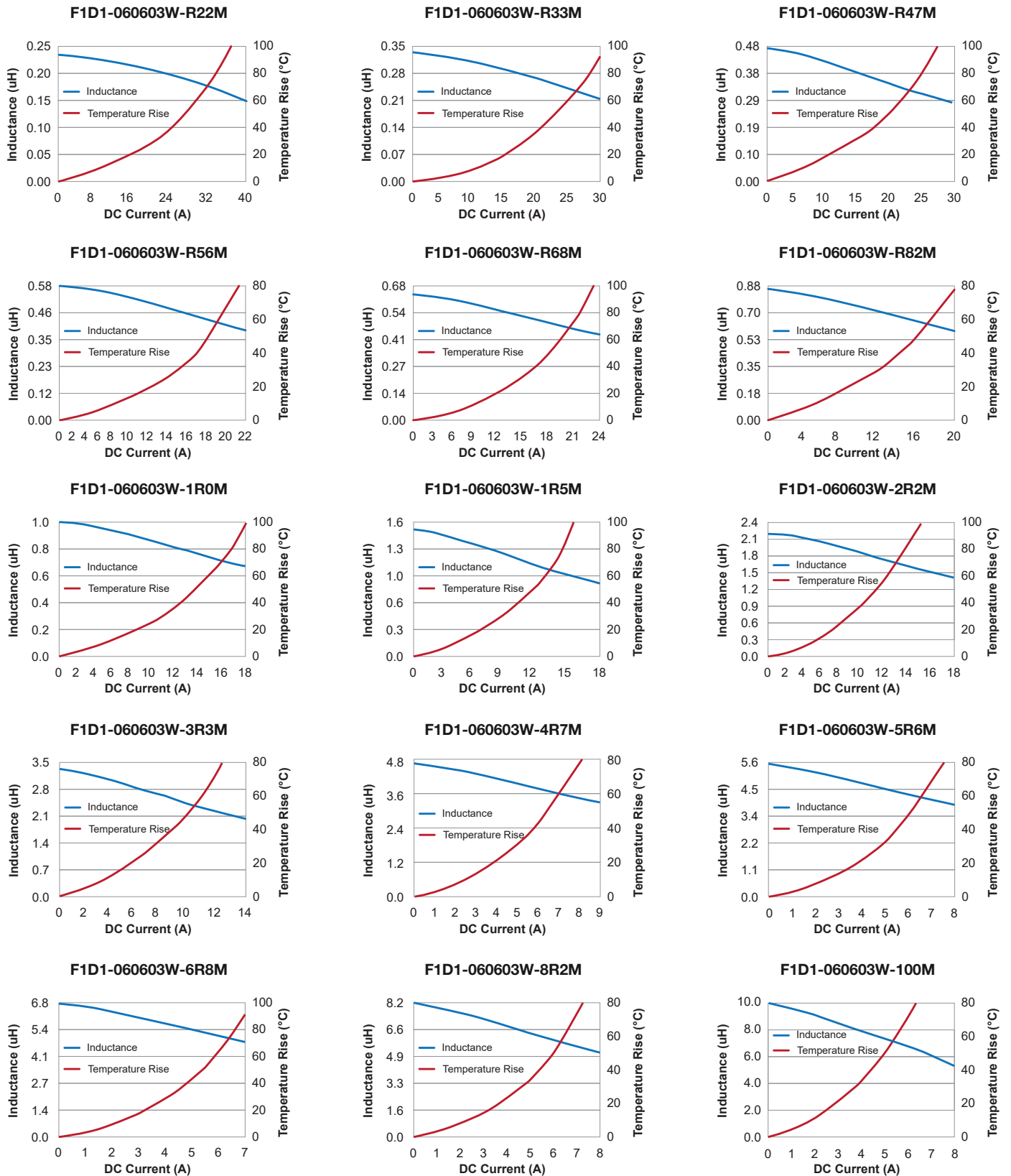
**F1D1-060603-150M**



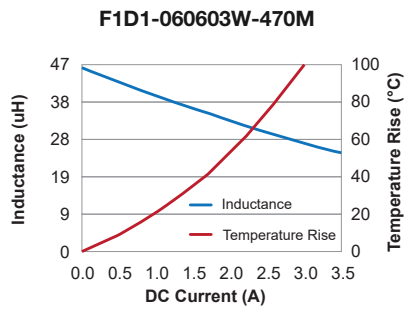
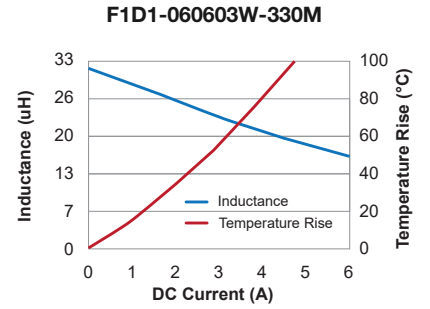
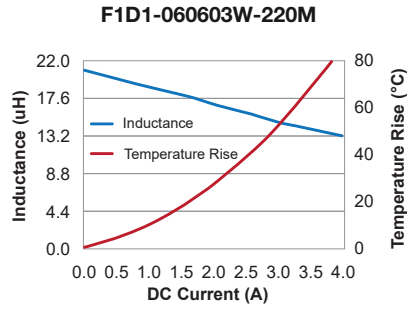
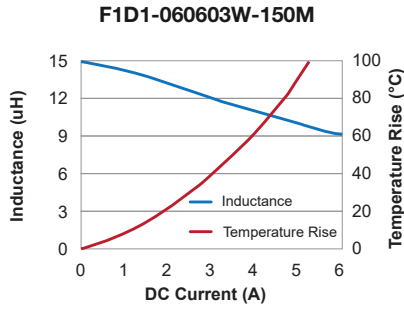
**F1D1-060603-220M**



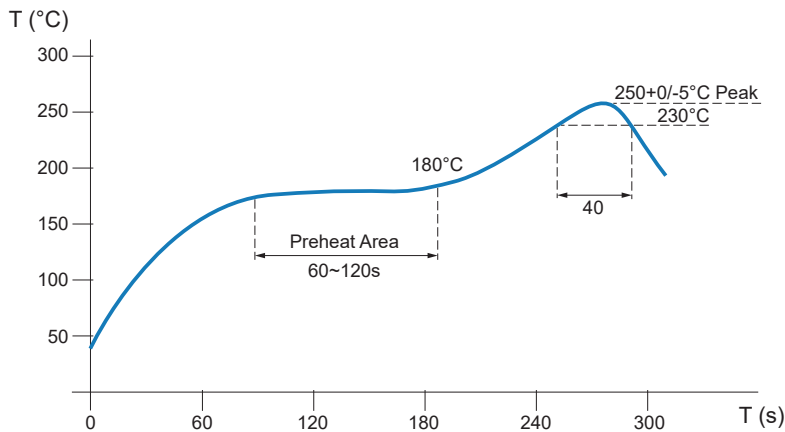
## PERFORMANCE CURVES



## PERFORMANCE CURVES



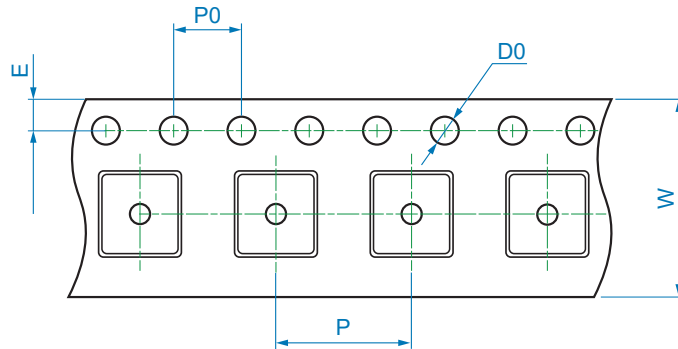
## REFLOW SOLDERING TEMPERATURE CURVE



The recommended reflow conditions are set according to the soldering equipment used. Since various manufactures may have different reflow soldering equipment, products, process conditions, set methods, etc., when setting the reflow contions, please adjust and confirm according to users' environment/equipment.

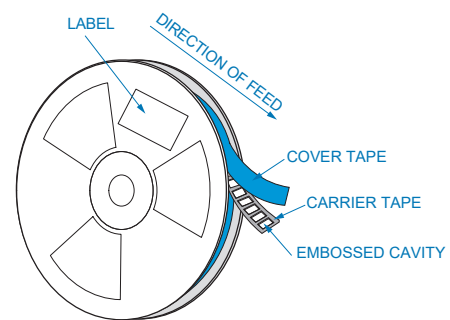
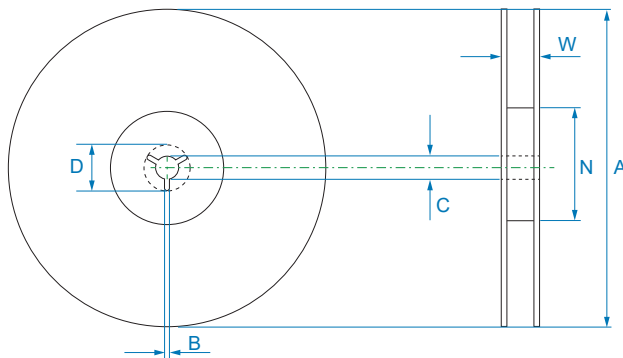
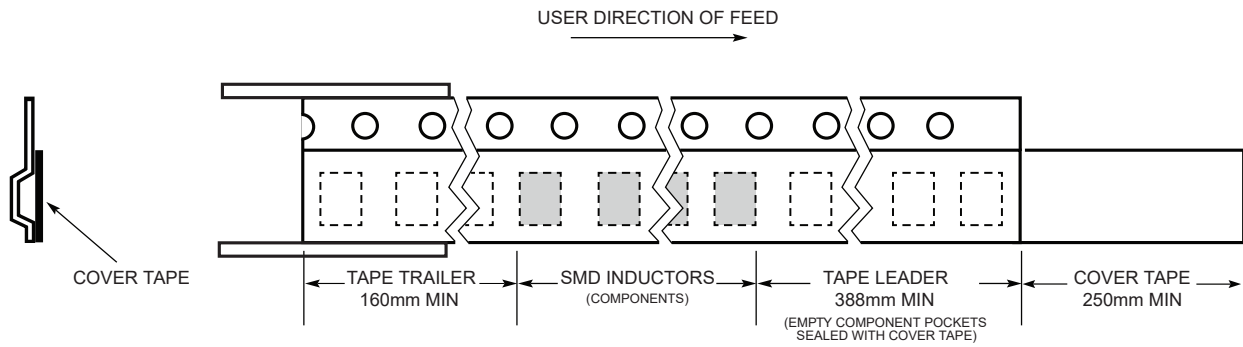
## QUANTITY PER REEL & PACKING INFORMATION

Units: mm



### TAPE DIMENSIONS (mm)

Product Series	W	P	P0	D0	E
F1D1-060603 / F1D1-060603W	16.0	12.0	4.0 ± 0.1	1.5 + 0.1/-0.0	1.75 ± 0.1

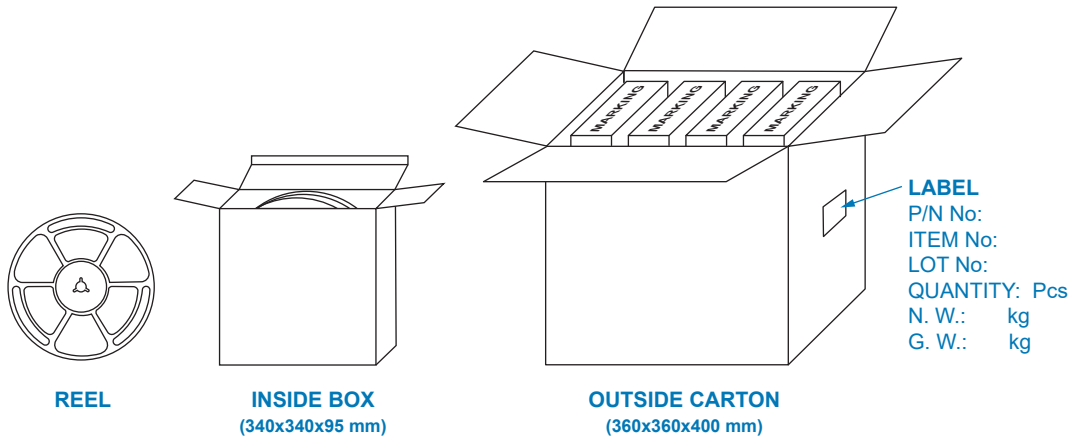
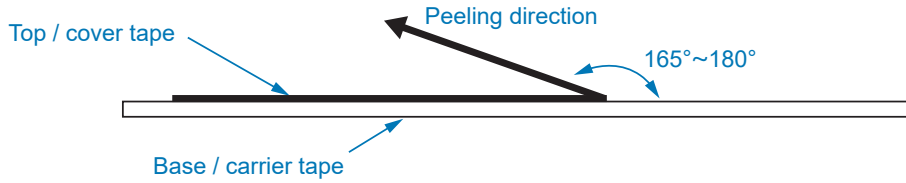


### REEL DIMENSIONS (mm)

Product Series	A	W	B	C	D
F1D1-060603 / F1D1-060603W	330	16.0	2.5 ± 0.5	13.0 ± 1.0	23.0 ± 1.0

**Peel-off Force**

The peel-off force of top cover tape shall be between 10 to 60 grams in the arrow direction.



**QUANTITY PER PACKAGE**

Product Series	Pcs per Reel	Pcs per Inside Box	Pcs per Outside Carton
F1D1-060603 / F1D1-060603W	1500	3000	12000

**Storage Conditions**

- a) Temperature conditions: <35°C.
- b) Humidity conditions between 35% - 65%.
- c) Moisture Sensitivity Level (MSL): Level 1.
- d) Storage of material to be in a sulfur and chlorine free environment.

## REVISION HISTORY

---

Rev.	Description	Date
1	initial release	Jun/20/2024
A		

---

**NUCLEAR AND MEDICAL APPLICATIONS** - Products are not designed or intended for use as critical components in life support systems, equipment used in hazardous environments, or nuclear control systems.

**TECHNICAL REVISIONS** - The appearance of products, including safety agency certifications pictured on labels, may change depending on the date manufactured. Specifications are subject to change without notice.



**Bel Fuse Inc.**  
300 Executive Drive, Suite 300  
West Orange, NJ 07052  
United States

© 2024 Bel Fuse Inc.

Toll Free 866-239-5777  
Tel 516-239-5777 | Fax 516-239-7208  
sales@signaltransformer.com  
techhelp@signaltransformer.com

[belfuse.com](http://belfuse.com)



## X-ON Electronics

Largest Supplier of Electrical and Electronic Components

*Click to view similar products for [Power Inductors - SMD category](#):*

*Click to view products by [Bel Fuse manufacturer](#):*

Other Similar products are found below :

[SPD62R-472M](#) [LLQPB201214T1R0M](#) [LLXND3030QKT470MNG](#) [LLQPB160807T4R7M](#) [LLAPB2016KKTR33M](#)  
[LBXND4040TKL330MDG](#) [LSQEA201212T100M](#) [PA4300.474NLT](#) [LVS505020-1R0T-N](#) [LVS505040-1R2T-N](#) [LVS606020-1R5M-N](#)  
[LVS606028-6R8M-N](#) [LVS606045-102M-N](#) [LVS606045-150M-N](#) [LVS606045-1R8M-N](#) [LVS606045-6R8M-N](#) [LVS808040-2R0M-N](#)  
[LVS808040-330M-N](#) [LVS808040-4R7M-N](#) [MHCI06030-R56M-R8](#) [SCD0403T-470M-N](#) [SCD0403T-6R8K-N](#) [SCD0504T-101M-N](#)  
[SCD0504T-120M-N](#) [SCD0504T-221M-N](#) [SCD0504T-470M-N](#) [SCD0504T-471M-N](#) [SCD0705T-180M-N](#) [SCD0705T-221M-N](#) [SCD0705T-470M-N](#) [SCD1005T-101M-N](#) [SCD1005T-221M-N](#) [SCD1005T-470M-N](#) [SSL1306T-101M-N](#) [LQB15NNR27K10D](#) [201610CDMCDDS-R47MC](#) [201610CDMCDDS-1R0MC](#) [201610CDMCDDS-R68MC](#) [LSQPB201210T220M](#) [LBCNF2012KKTR24MA](#) [LSQEA201212T220K](#)  
[LSENC2016KKT1R0M](#) [LSQNB160808T470M](#) [LSBHB1608KKT2R2MG](#) [LSQPB160807T2R2M](#) [LSQEA201212T101K](#) [DEM8045Z-5R6N=P3](#) [LCXND3030QKT4R7MNG](#) [LSQPA322525T6R8MR](#) [LCXNH8080YKL101MJG](#)