



PRODUCTS

CIN::APSE
MICROMINIATURE
D-SUB

Filter D

[Introduction](#)
[Features](#)
[Technical Data](#)
[Part Numbering](#)
[Filter Adapter](#)
[Technical Information](#)

IDC

Basic D

Military D

Accessories

OTHER TECHNOLOGY



FILTER D TECHNICAL DATA

Termination options	Solder bucket, flow solder, Straight & 90°, Mini wrap.				
Number of contacts	9	15	25	27	50
Maximum insertion and extraction force	30	50	83	123	167N
Performance level	1, 2 & 3				
Wire accommodation	≤ 0.5mm (20AWG)				
Plug contact material	Copper alloy				
Socket contact material	Copper alloy				
Current rating	5A				
Capacitance	330pF Tol +50%-20%, 1000pF and 2000pF Tol +80%-20%				
Working voltage	200V d.c. or a.c. peak				
Contact resistance	5 X 10 ⁻³ ohm max.				
Insulation resistance	≥ 5 X 10 ⁹ ohm				
Temperature range	-25°C to +85°C				
Insulator materials	High impact Epoxy & GF Polyester UL94V-0 rated				
Shell materials	Front: Steel-Bright tin finish with grounding indents on plugs Rear: Electrolytic Nickel				

[Back](#) [Site Map](#) [Print](#)



PRODUCTS

CIN::APSE
MICROMINIATURE
D-SUB

Filter D

- Introduction
- Features
- Technical Data
- ▶ **Part Numbering**
- Filter Adapter
- Technical Information

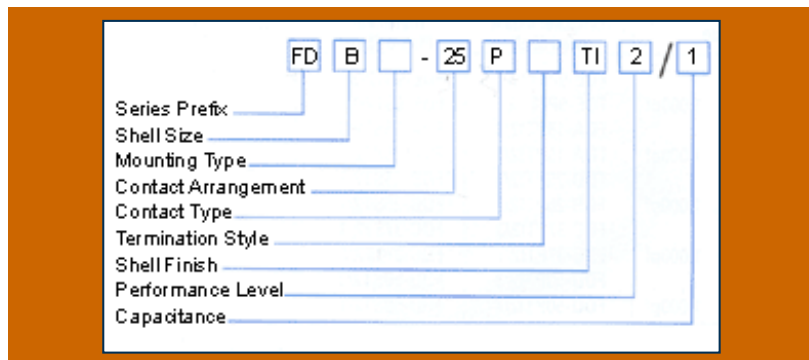
IDC

- Basic D
- Military D
- Accessories

OTHER TECHNOLOGY



FILTER D PART NUMBERING



Series Prefix	FD	Filtered D (Standard Prefix)
Shell Size	E, A, B, C, or D	(All standard)
Mounting Type	B	4-40 rivnut for rear panel mounting (Standard)
	P	M3 rivnut for rear panel mounting
	D	With female screw locks fitted
	E	4-40 clinch-nut for rear panel mounting with locking feature for high vibration applications
	Y	Universal float mount
	No designation	Ø3.05mm mounting hole (Standard) 90° Flow Solder versions are not available with float mounts
Contact Arrangement	9, 15, 25, 37, or 50	(All standard)
Contact Type	P or S	(Both Standard)
Termination Style	90° Flow Solder	
European Footprint	1A0N	Without brackets
	1A2N	With plastic brackets and keeper moulding*
	1AEN	With earthing straps on plastic brackets (Standard) with keeper moulding*
	1ASN	With board locks, earthing straps, plastic (Standard) brackets and keeper moulding*
	* Please specify rivnuts or screw locks, mounting types B, P, or D (rivnuts Standard)	
Straight Flow Solder	OL2	Termination 0.6mm, 5.3mm long.
	BL2	As OL2 with vertical Board locks 4/40 threads.
Solder Bucket	No designation required (Standard)	
Shell Finish	T	Bright tin (Standard) Bright tin with grounding indents (plug only)
	TI	Nickel on rear shell (Standard)
Performance Level	1	Exceeds Din Class 2
	2	Din Class 2 (Standard)
	3	Exceed DIN Class 3



Capacitance	1	1000pF
	2	2000pF
	3	330pF

Custom of selectively loaded products available.
Consult sales or office

[Back](#) [Site Map](#) [Print](#)



PRODUCTS

CIN::APSE
MICROMINIATURE
D-SUB

Filter D

- Introduction
- Features
- Technical Data
- Part Numbering
- ▶ **Filter Adaptor**
- Technical Information

IDC

Basic D

Military D

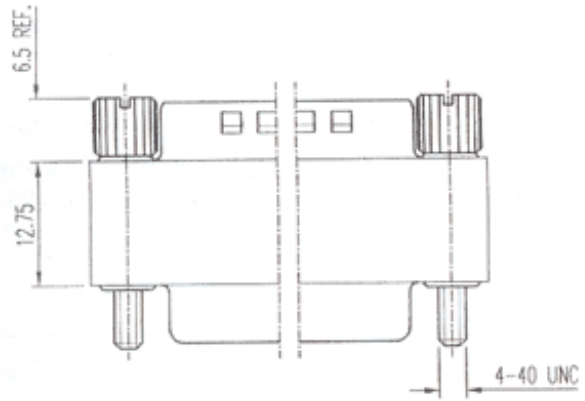
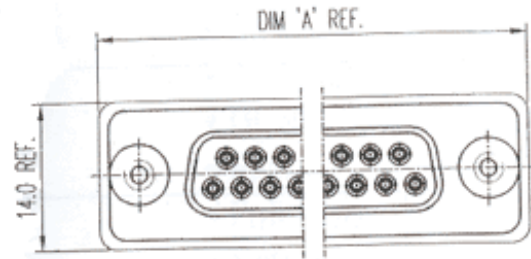
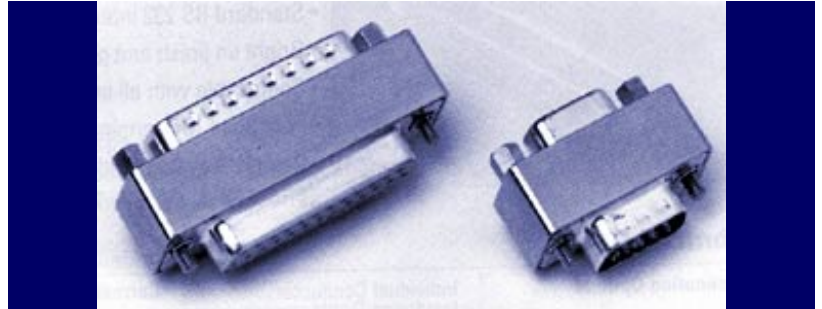
Accessories

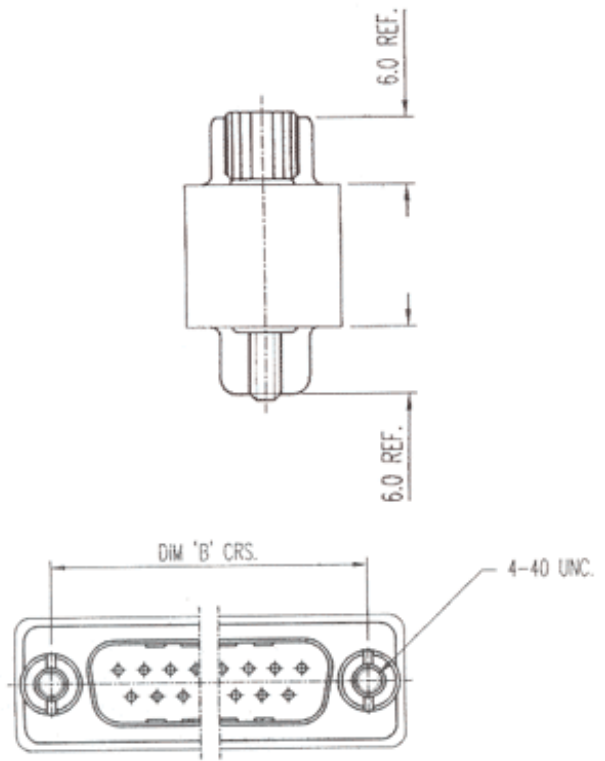
OTHER TECHNOLOGY



FILTER D FILTER ADAPTOR

Male / Female Filtering Adapter





[Back](#) [Site Map](#) [Print](#)



PRODUCTS

CIN::APSE
MICROMINIATURE
D-SUB

Filter D

[Introduction](#)
[Features](#)
[Technical Data](#)
[Part Numbering](#)
[Filter Adapter](#)

► [Technical Information](#)

[IDC](#)
[Basic D](#)
[Military D](#)
[Accessories](#)

[OTHER TECHNOLOGY](#)



FILTER D TECHNICAL INFORMATION

Part Number	Working Voltage	Proof Voltage	Capacitance To Ground	Capacitance Tolerance	Temperature Range	DIM "A" REF.	DIM "B" REF.
FA9 PS/1	200V *	500V	1000pF	+80% - 20%	-25°C to +85°C	32.7	24.99
FA9PS/3			330pF	+50% - 20%			
FA15 PS/1	200V *	500V	1000pF	+80% - 20%	-25°C to +85°C	41.0	33.32
FA15 PS/3			330pF	+50% - 20%			
FA25 PS/1	200V *	500V	1000pF	+80% - 20%	-25°C to +85°C	54.9	47.04
FA25 PS/3			330pF	+50% - 20%			
FA37 PS/1	200V *	500V	1000pF	+80% - 20%	-25°C to +85°C	71.2	63.50
FA37 PS/3			330pF	+50% - 20%			

*DC or AC PEAK

GENERAL SPECIFICATION - MECHANICAL, ELECTRICAL & ENVIRONMENTAL PERFORMANCE IN LINE WITH REQUIREMENTS OF DIN CLASS 2

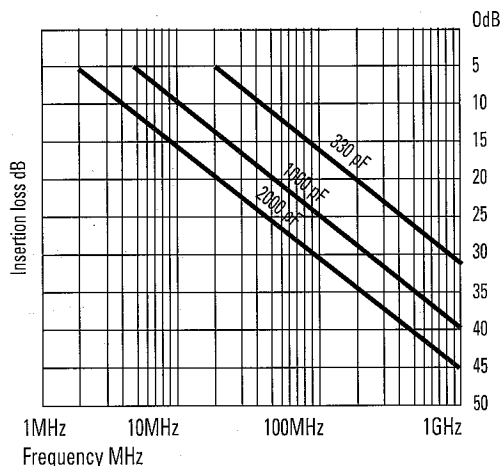
[Back](#) [Site Map](#) [Print](#)



CINCH has been producing filter connectors for years and has acquired an in depth knowledge of EMC protection. CINCH offers fast delivery on a wide range of standard filtered connectors and will be your partner to design the product you need to meet European and FCC regulations.

Features

- The Cinch Filter D Sub is a high quality turned pin contact connector.
- Tubular capacitors are individually inserted on each contact.
- The encapsulation of capacitors is made with epoxy for maximum resistance to hazardous environments.
- Cinch filter D Sub have the same size and footprint as standard D Sub connectors.
- Meets the relevant dimensional requirements of CECC 73301- 802, MIL-C 24308, DIN 41652, BS 9523 F0013, BT 217, HE501.
- Bright tin or nickel finish with grounding indent for EMI/RFI shielding.



Typical performance relates to 50 Ω system
Mil -Std. - measured at 1 KHz 0.1 rms

- 1-1000 pF
- 2-2000 pF
- 3-330 pF

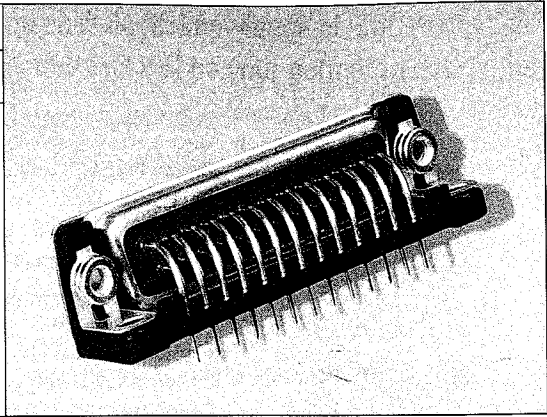
Technical Data

Termination options	Solder bucket, Flow solder, Straight & 90°, Mini wrap.
Number of contacts	9 15 25 27 50
Maximum insertion and extraction force	30 50 83 123 167N
Performance level	1,2 & 3
Wire accomodation	≤ 0,5 mm ² (20 AWG)
Plug contact material	Copper alloy
Socket contact material	Copper alloy

Current rating	5A
Capacitance	330 pF Tol + 50% - 20%, 1000 pF and 2000pF Tol + 80% - 20%
Working voltage	200 V d.c. or a.c. peak
Contact resistance	5 x 10 ⁻³ Ω max
Insulation resistance	≥ 5 x 10 ⁹ Ω
Temperature range	- 40° to + 125°C
Insulator materials	High impact Epoxy & GF Polyester UL94V-0 rated
Shell materials	Front: Steel-Bright tin finish with grounding indents on plugs Rear: Electrolytic Nickel

Solder Bucket

Number of Contacts	Performance Level	Capacitance Value		Plug	Socket
				Tin/Nickel Indent Plated Shell	Tin/Nickel Plated Shell
9	2	330pf	1,000pf	FDE-9PTI2/3	FDE-9ST2/3
				FDE-9PTI2/1	FDE-9ST2/1
15	2	330pf	1,000pf	FDA-15PTI2/3	FDA-15ST2/3
				FDA-15PTI2/1	FDA-15ST2/1
25	2	330pf	1,000pf	FDB-25PTI2/3	FDB-25ST2/3
				FDB-25PTI2/1	FDB-25ST2/1
37	2	330pf	1,000pf	FDC-37PTI2/3	FDC-37ST2/3
				FDC-37PTI2/1	FDC-37ST2/1
50	2	330pf	1,000pf	FDD-50PTI2/3	FDD-50ST2/3
				FDD-50PTI2/1	FDD-50ST2/1



Straight PCB Mount

Number of Contacts	Performance Level	Capacitance Value		Plug	Vertical Boardlock	Socket	Vertical Boardlock
				Tin/Nickel Indent Plated Shell	Tin/Nickel Plated Shell	Tin/Nickel Plated Shell	Tin/Nickel Plated Shell
9	2	330pf	1,000pf	FDE-9POL2TI2/3	FDE-9PBL2TI2/3	FDE-9SOL2T2/3	FDE-9SBL2T2/3
				FDE-9POL2TI2/1	FDE-9PBL2TI2/1	FDE-9SOL2T2/1	FDE-9SBL2T2/1
15	2	330pf	1,000pf	FDA-15POL2TI2/3	FDA-15PBL2TI2/3	FDA-15SOL2T2/3	FDA-15SBL2T2/3
				FDA-15POL2TI2/1	FDA-15PBL2TI2/1	FDA-15SOL2T2/1	FDA-15SBL2T2/1
25	2	330pf	1,000pf	FDB-25POL2TI2/3	FDB-25PBL2TI2/3	FDB-25SOL2T2/3	FDB-25SBL2T2/3
				FDB-25POL2TI2/1	FDB-25PBL2TI2/1	FDB-25SOL2T2/1	FDB-25SBL2T2/1
37	2	330pf	1,000pf	FDC-37POL2TI2/3	FDC-37PBL2TI2/3	FDC-37SOL2T2/3	FDC-37SBL2T2/3
				FDC-37POL2TI2/1	FDC-37PBL2TI2/1	FDC-37SOL2T2/1	FDC-37SBL2T2/1
50	2	330pf	1,000pf	FDD-50POL2TI2/3	FDD-50PBL2TI2/3	FDD-50SOL2T2/3	FDD-50SBL2T2/3
				FDD-50POL2TI2/1	FDD-50PBL2TI2/1	FDD-50SOL2T2/1	FDD-50SBL2T2/1

90° PCB - Plug

Number of Contacts	Performance Level	Capacitance Value		Open Frame	Earthing Straps	Snap In Boardlock
				Tin/Nickel Indent Plated Shell	Tin Indent Shell 4-40 Rivnut	Tin Indent Shell 4-40 Rivnut
9	2	330pf	1,000pf	FDE-9P1A0NTI2/3	FDEB-9P1AENTI2/3	FDEB-9P1ASNTI2/3
				FDE-9P1A0NTI2/1	FDEB-9P1AENTI2/1	FDEB-9P1ASNTI2/1
15	2	330pf	1,000pf	FDA-15P1A0NTI2/3	FDAB-15P1AENTI2/3	FDAB-15P1ASNTI2/3
				FDA-15P1A0NTI2/1	FDAB-15P1AENTI2/1	FDAB-15P1ASNTI2/1
25	2	330pf	1,000pf	FDB-25P1A0NTI2/3	FDBB-25P1AENTI2/3	FDBB-25P1ASNTI2/3
				FDB-25P1A0NTI2/1	FDBB-25P1AENTI2/1	FDBB-25P1ASNTI2/1
37	2	330pf	1,000pf	FDC-37P1A0NTI2/3	FDCB-37P1AENTI2/3	FDCB-37P1ASNTI2/3
				FDC-37P1A0NTI2/1	FDCB-37P1AENTI2/1	FDCB-37P1ASNTI2/1
50	2	330pf	1,000pf	FDD-50P1A0NTI2/3	FDDB-50P1AENTI2/3	FDDB-50P1ASNTI2/3
				FDD-50P1A0NTI2/1	FDDB-50P1AENTI2/1	FDDB-50P1ASNTI2/1

90° PCB - Socket

Number of Contacts	Performance Level	Capacitance Value		Open Frame	Earthing Straps	Snap In Boardlock
				Tin/Nickel Plated Shell	Tin Shell 4-40 Rivnut	Tin Shell 4-40 Rivnut
9	2	330pf	1,000pf	FDE-9S1A0NT2/3	FDEB-9S1AENT2/3	FDEB-9S1ASNT2/3
				FDE-9S1A0NT2/1	FDEB-9S1AENT2/1	FDEB-9S1ASNT2/1
15	2	330pf	1,000pf	FDA-15S1A0NT2/3	FDAB-15S1AENT2/3	FDAB-15S1ASNT2/3
				FDA-15S1A0NT2/1	FDAB-15S1AENT2/1	FDAB-15S1ASNT2/1
25	2	330pf	1,000pf	FDB-25S1A0NT2/3	FDBB-25S1AENT2/3	FDBB-25S1ASNT2/3
				FDB-25S1A0NT2/1	FDBB-25S1AENT2/1	FDBB-25S1ASNT2/1
37	2	330pf	1,000pf	FDC-37S1A0NT2/3	FDCB-37S1AENT2/3	FDCB-37S1ASNT2/3
				FDC-37S1A0NT2/1	FDCB-37S1AENT2/1	FDCB-37S1ASNT2/1
50	2	330pf	1,000pf	FDD-50S1A0NT2/3	FDDB-50S1AENT2/3	FDDB-50S1ASNT2/3
				FDD-50S1A0NT2/1	FDDB-50S1AENT2/1	FDDB-50S1ASNT2/1

X-ON Electronics

Largest Supplier of Electrical and Electronic Components

Click to view similar products for [bel fuse manufacturer](#):

Other Similar products are found below :

[P2404DB](#) [1786-TNCJI4/A](#) [131-3711-207](#) [ATT-523F-05-SMA-02](#) [TNG1-1-150](#) [1840855-7](#) [111-0707-001](#) [142-0701-874](#) [CP-AD851](#) [CP-AD502](#) [5SF 200-R](#) [312A5066-P3](#) [133-9701-314](#) [010-0055](#) [M24308/1-12F](#) [M24308/2-336Z](#) [M24308/2-343Z](#) [M24308/3-21F](#) [70-1080](#) [MAP40-3003G](#) [73-6311-10](#) [73-6354-3](#) [73-6670-7](#) [PET2000-12-074NA](#) [PL1WC-026](#) [PL75-45BR](#) [PL75MC-217](#) [PS-15201](#) [PS-15206](#) [PSK3616-7](#) [QM48T40033-PDB0](#) [127-0692-001](#) [127-2701-602](#) [ADPL75-E1-UBJ20](#) [ADRMF70](#) [ADT-2540-7M-SMM-02](#) [DCB-3510-FF-SMA-02](#) [DCDM100CS](#) [DCDM-15S6E5-36.0K](#) [DCHM15SCBRPN-HT1](#) [131-8403-011](#) [RFI21-13](#) [RFI75-8-D3](#) [DDM50SA156](#) [131-3693-116](#) [DEME9S](#) [DEMM9SM](#) [DFC10U48D12](#) [140-0000-954](#) [141-3901-802](#)