



PRODUCTS

CIN::APSE
MICROMINIATURE
D-SUB

Filter D

► **Introduction**

[Features](#)

[Technical Data](#)

[Part Numbering](#)

[Filter Adapter](#)

[Technical Information](#)

[IDC](#)

[Basic D](#)

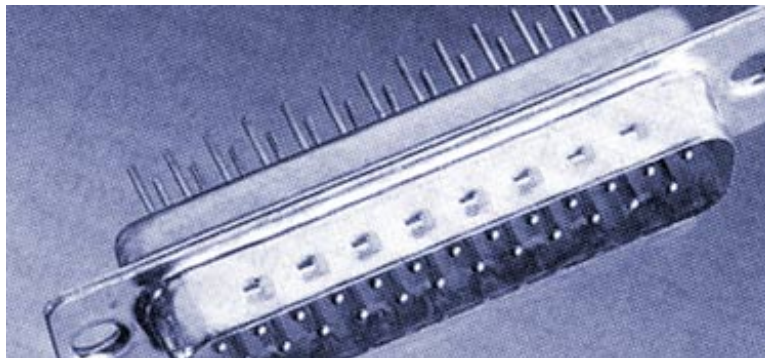
[Military D](#)

[Accessories](#)

OTHER TECHNOLOGY



FILTER D **INTRODUCTION**



CINCH has been producing filter connectors for years and has acquired an in depth knowledge of EMC protection.

CINCH offers fast delivery on a wide range of standard filtered connectors and will be your partner to design the product you need to meet European and FCC regulations.

[Back](#) [Site Map](#) [Print](#)



PRODUCTS

CIN::APSE
MICROMINIATURE
D-SUB

Filter D

[Introduction](#)

► Features

[Technical Data](#)

[Part Numbering](#)

[Filter Adapter](#)

[Technical Information](#)

[IDC](#)

[Basic D](#)

[Military D](#)

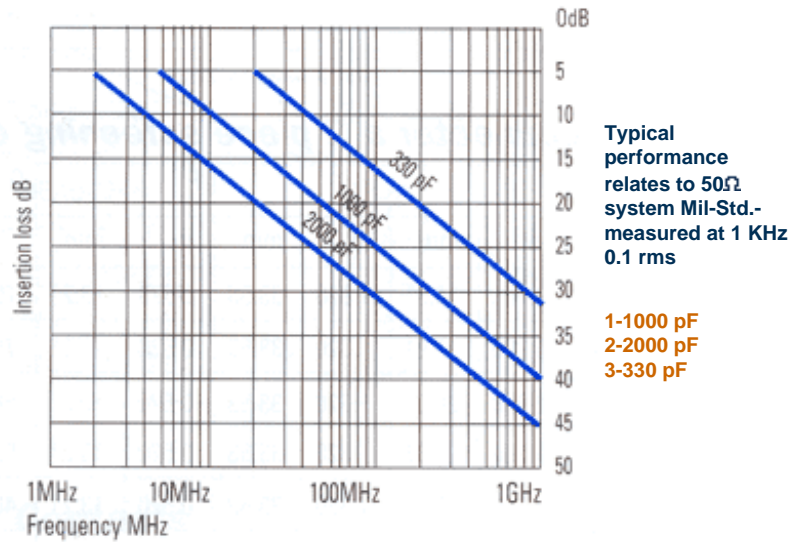
[Accessories](#)

OTHER TECHNOLOGY



FILTER D FEATURES

- The Cinch Filter D Sub is a high quality turned pin contact connector.
- Tubular capacitors are individually inserted on each contact.
- The encapsulation of capacitors is made with epoxy for maximum resistance to hazardous environments.
- Cinch filter D Sub have the same size and footprint as standard D Sub connectors.
- Meets the relevant dimensional requirements of CECC 73301-802, Mil-DTL-24308, DIN 41652, BS 9523 F0013, BT 217, HE501.
- Bright tin or nickel finish with grounding indent for EMI/RFI shielding



[Back](#) [Site Map](#) [Print](#)



PRODUCTS

CIN::APSE
MICROMINIATURE
D-SUB

Filter D

[Introduction](#)
[Features](#)
[▶ Technical Data](#)
[Part Numbering](#)
[Filter Adapter](#)
[Technical Information](#)

IDC

Basic D

Military D

Accessories

OTHER TECHNOLOGY



FILTER D TECHNICAL DATA

Termination options	Solder bucket, flow solder, Straight & 90°, Mini wrap.				
Number of contacts	9	15	25	27	50
Maximum insertion and extraction force	30	50	83	123	167N
Performance level	1, 2 & 3				
Wire accommodation	≤ 0.5mm (20AWG)				
Plug contact material	Copper alloy				
Socket contact material	Copper alloy				
Current rating	5A				
Capacitance	330pF Tol +50%-20%, 1000pF and 2000pF Tol +80%-20%				
Working voltage	200V d.c. or a.c. peak				
Contact resistance	5 X 10 ⁻³ ohm max.				
Insulation resistance	≥ 5 X 10 ⁹ ohm				
Temperature range	-25°C to +85°C				
Insulator materials	High impact Epoxy & GF Polyester UL94V-0 rated				
Shell materials	Front: Steel-Bright tin finish with grounding indents on plugs Rear: Electrolytic Nickel				

[Back](#) [Site Map](#) [Print](#)



PRODUCTS

CIN::APSE
MICROMINIATURE
D-SUB

Filter D

Introduction
Features
Technical Data
▶ **Part Numbering**
Filter Adapter
Technical Information

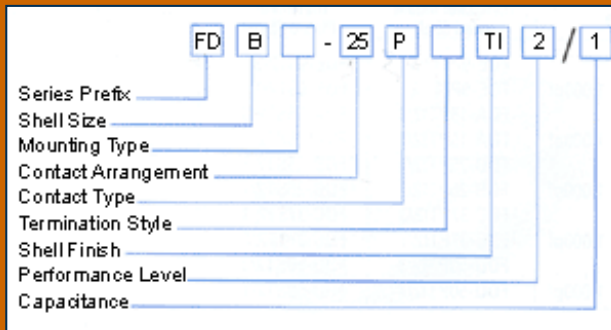
IDC

Basic D
Military D
Accessories

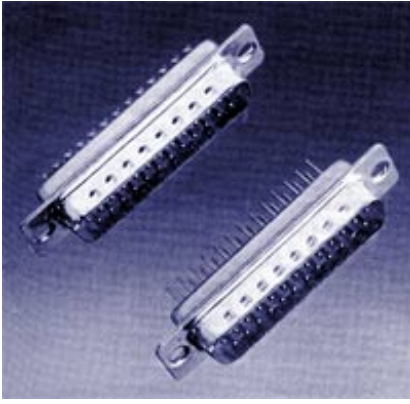
OTHER TECHNOLOGY



FILTER D PART NUMBERING



Series Prefix	FD	Filtered D (Standard Prefix)
Shell Size	E, A, B, C, or D	(All standard)
Mounting Type	B	4-40 rivnut for rear panel mounting (Standard)
	P	M3 rivnut for rear panel mounting
	D	With female screw locks fitted
	E	4-40 clinch-nut for rear panel mounting with locking feature for high vibration applications
	Y	Universal float mount
	No designation	Ø3.05mm mounting hole (Standard) 90° Flow Solder versions are not available with float mounts
Contact Arrangement	9, 15, 25, 37, or 50	(All standard)
Contact Type	P or S	(Both Standard)
Termination Style	90° Flow Solder	
European Footprint	1A0N	Without brackets
	1A2N	With plastic brackets and keeper moulding*
	1AEN	With earthing straps on plastic brackets (Standard) with keeper moulding*
	1ASN	With board locks, earthing straps, plastic (Standard) brackets and keeper moulding*
	* Please specify rivnuts or screw locks, mounting types B, P, or D (rivnuts Standard)	
Straight Flow Solder	OL2	Termination 0.6mm, 5.3mm long.
	BL2	As OL2 with vertical Board locks 4/40 threads.
Solder Bucket	No designation required (Standard)	
Shell Finish	T	Bright tin (Standard) Bright tin with grounding indents (plug only)
	TI	Nickel on rear shell (Standard)
Performance Level	1	Exceeds Din Class 2
	2	Din Class 2 (Standard)
	3	Exceed DIN Class 3



Capacitance	1	1000pF
	2	2000pF
	3	330pF

Custom of selectively loaded products available.
Consult sales or office

[Back](#) [Site Map](#) [Print](#)



PRODUCTS

CIN::APSE
MICROMINIATURE
D-SUB

Filter D

- Introduction
- Features
- Technical Data
- Part Numbering
- ▶ **Filter Adaptor**
- Technical Information

IDC

Basic D

Military D

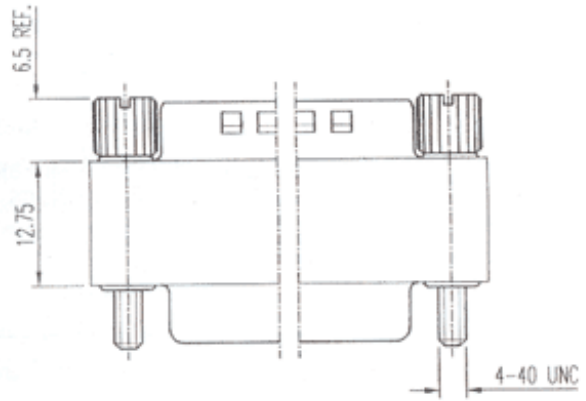
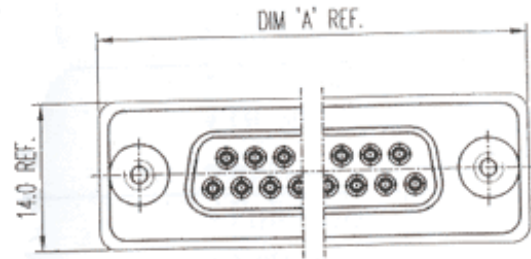
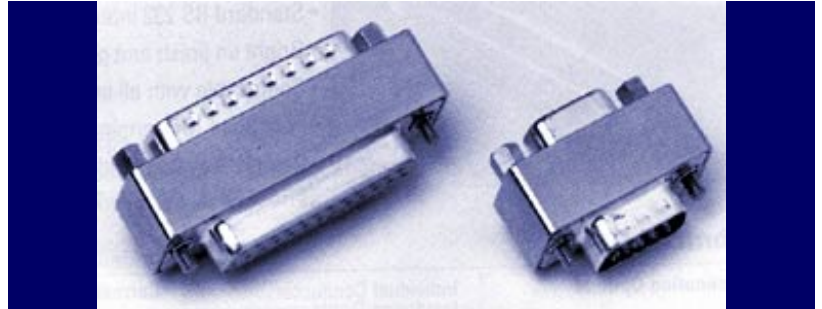
Accessories

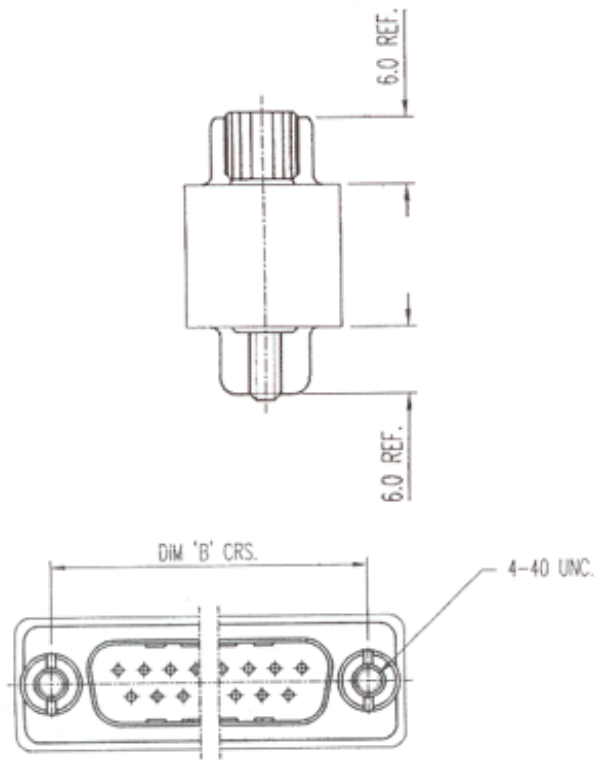
OTHER TECHNOLOGY



FILTER D FILTER ADAPTOR

Male / Female Filtering Adapter





[Back](#) [Site Map](#) [Print](#)



PRODUCTS

CIN::APSE
MICROMINIATURE
D-SUB

Filter D

- [Introduction](#)
- [Features](#)
- [Technical Data](#)
- [Part Numbering](#)
- [Filter Adapter](#)

► [Technical Information](#)

- [IDC](#)
- [Basic D](#)
- [Military D](#)
- [Accessories](#)

OTHER TECHNOLOGY



FILTER D TECHNICAL INFORMATION

Part Number	Working Voltage	Proof Voltage	Capacitance To Ground	Capacitance Tolerance	Temperature Range	DIM "A" REF.	DIM "B" REF.
FA9 PS/1	200V *	500V	1000pF	+80% - 20%	-25°C to +85°C	32.7	24.99
FA9PS/3			330pF	+50% - 20%			
FA15 PS/1	200V *	500V	1000pF	+80% - 20%	-25°C to +85°C	41.0	33.32
FA15 PS/3			330pF	+50% - 20%			
FA25 PS/1	200V *	500V	1000pF	+80% - 20%	-25°C to +85°C	54.9	47.04
FA25 PS/3			330pF	+50% - 20%			
FA37 PS/1	200V *	500V	1000pF	+80% - 20%	-25°C to +85°C	71.2	63.50
FA37 PS/3			330pF	+50% - 20%			

*DC or AC PEAK

GENERAL SPECIFICATION - MECHANICAL, ELECTRICAL & ENVIRONMENTAL PERFORMANCE IN LINE WITH REQUIREMENTS OF DIN CLASS 2

[Back](#) [Site Map](#) [Print](#)



PRODUCTS

CIN::APSE
MICROMINIATURE
D-SUB

Filter D

IDC

► Features

Technical Data

IDC D Hood

Basic D

Military D

Accessories

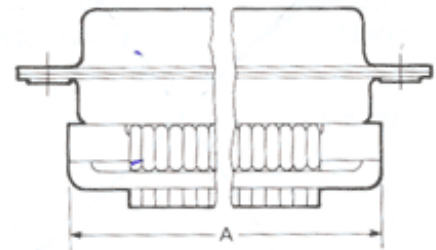
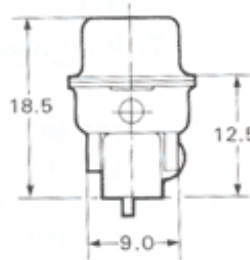
OTHER TECHNOLOGY



IDC FEATURES



- High speed mass termination
- Low profile
- Steel shell for maximum strength
- Strain relief included
- Standard RS 232 interface
- UL 94V-0 rated insulators & strain relief
- Bright tin finish & grounding indents for EMI/RFI shielding
- Compatible with all other D Subminiatures
- Backshell & jack screws available.



Number of Contacts	A
9	20.2
15	28.6
25	42.3
37	58.8

[Back](#) [Site Map](#) [Print](#)



PRODUCTS

CIN::APSE
MICROMINIATURE
D-SUB

[Filter D](#)
[IDC](#)
[Basic D](#)
[Military D](#)

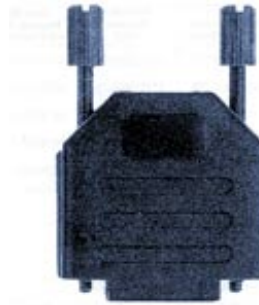
Accessories

- ▶ [Introduction](#)
- [Hoods](#)
- [Clamps](#)
- [Hardware](#)
- [Tooling](#)

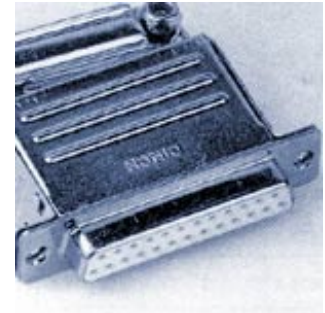
OTHER TECHNOLOGY



ACCESSORIES [INTRODUCTION](#)



[Hoods](#)



[Clamps](#)



[Tooling](#)



[Hardware](#)

[Back](#) [Site Map](#) [Print](#)

X-ON Electronics

Largest Supplier of Electrical and Electronic Components

Click to view similar products for [bel fuse manufacturer](#):

Other Similar products are found below :

[P2404DB](#) [1786-TNCJI4/A](#) [131-3711-207](#) [ATT-523F-05-SMA-02](#) [TNG1-1-150](#) [1840855-7](#) [111-0707-001](#) [142-0701-874](#) [CP-AD851](#) [CP-AD502](#) [5SF 200-R](#) [312A5066-P3](#) [133-9701-314](#) [010-0055](#) [M24308/1-12F](#) [M24308/2-336Z](#) [M24308/2-343Z](#) [M24308/3-21F](#) [70-1080](#) [MAP40-3003G](#) [73-6311-10](#) [73-6354-3](#) [73-6670-7](#) [PET2000-12-074NA](#) [PL1WC-026](#) [PL75-45BR](#) [PL75MC-217](#) [PS-15201](#) [PS-15206](#) [PSK3616-7](#) [QM48T40033-PDB0](#) [127-0692-001](#) [127-2701-602](#) [ADPL75-E1-UBJ20](#) [ADRMF70](#) [ADT-2540-7M-SMM-02](#) [DCB-3510-FF-SMA-02](#) [DCDM100CS](#) [DCDM-15S6E5-36.0K](#) [DCHM15SCBRPN-HT1](#) [131-8403-011](#) [RFI21-13](#) [RFI75-8-D3](#) [DDM50SA156](#) [131-3693-116](#) [DEME9S](#) [DEMM9SM](#) [DFC10U48D12](#) [140-0000-954](#) [141-3901-802](#)