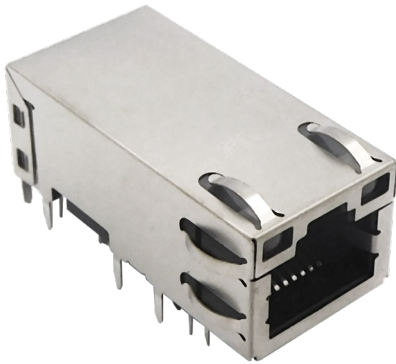


10GBASE-T ICMs

Single Port 60W PoE MagJack® ICMs

Bel Magnetic Solutions 10GBASE-T 60W, 4-pair PoE (Power over Ethernet) ICMs are aimed at those looking to upgrade their product performance for maximum speed at 60W of power over standard Ethernet cable. Customers can implement 60W PoE to double the amount of power their products can handle over any existing application while also increasing their speed ten times over standard Gigabit Ethernet.



The 10GBASE-T MagJack® ICM series can transmit or receive 0 to 60W of power per port over all 4 pairs within the Ethernet cable while maintaining the bandwidth of the NBASE-T compliant 10Gigabit Ethernet signals. These ICMs can be used as either a PSE (Power Source Equipment) or a PD (Powered Device) and are compatible with all major 10GBASE-T PHYs, including the latest current-mode and voltage-mode PHYs. The 10GBASE-T 60W ICMs are backward compatible to existing Ethernet networks and to slower speeds and lower powers and use industry standard footprints and pin-outs. These 60W ICMs are ideal for next generation 5G cellular and Wireless Access Point applications and can be used on next general PoE products where 30W of power is not sufficient.

Features & Benefits

- 10GBASE-T capable design
- Single port configuration
- Industry standard footprints & pinouts
- Can be used as PSE or PD
- Compatible with all major 10GBASE-T PHYs per the table below
- Backward compatible to existing Ethernet networks
- Comply with the requirements of NBASE-T and IEEE 802.3bz

Applications

- 5G cellular equipment and base stations
- NBASE-T complaint products
- Higher bandwidth wireless access points
- High power sourcing applications like low density 10GBASE-T Ethernet switches requiring up to 60W of 48V power
- High powered devices like Ethernet cameras that require more than 30W of power

Specifications

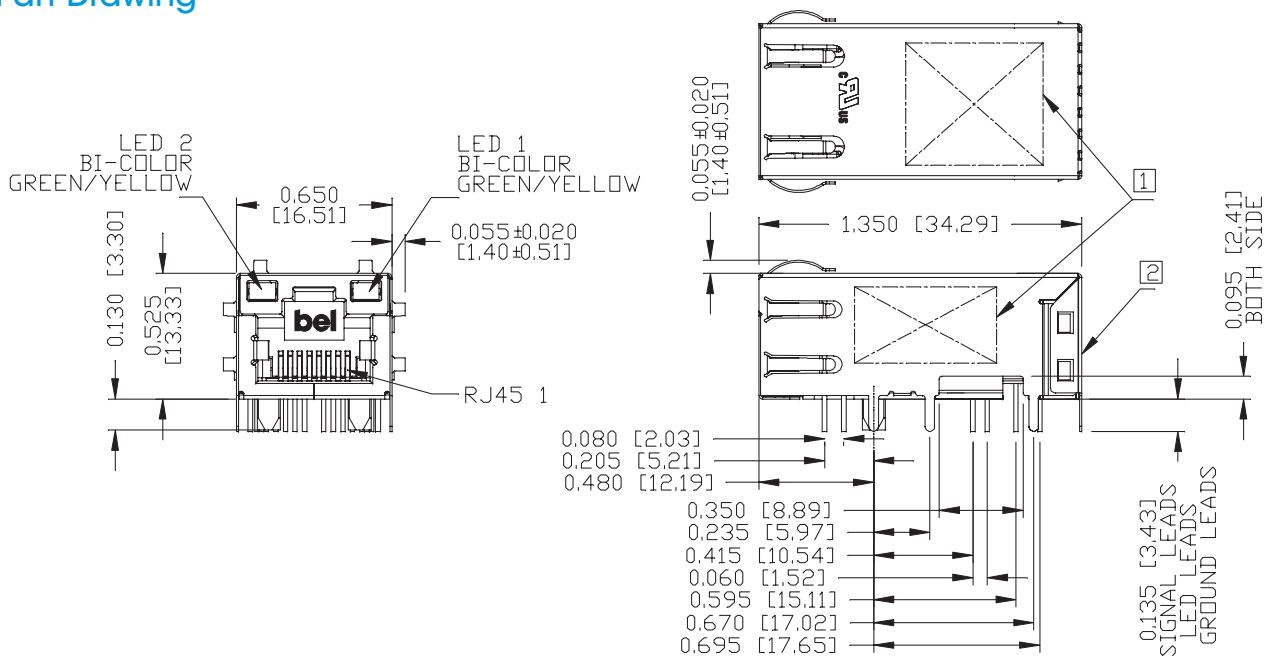
- Meets all IEEE 802.3 10/100BASE-T thru 10GBASE-T electrical requirements including RL, IL, hi-pot and common mode parameters
- Operates from -40°C to 85°C
- 100% hi-pot tested in production
- Different LED color combinations and options available
- 50 micro-inches of gold-plated contacts as required by the TIA 1096/FCC 47, Part 68
- RJ45 plug-tab up for ease of use
- Lead-free wave-solder compatible
- EMI-shielding tabs on the shield for enhanced EMI and ESD performance
- UL recognized
- RoHS 6/6 compliant



Part Numbers

Bel Part Number	Speed	No. of Ports	Height Profile	Operating Temp.	Recommended PHY
G27-122T-066A	10GBASE-T	1x1	Low	40°C to 85°C	Broadcom
G27-122T-015	10GBASE-T	1x1	Low	40°C to 85°C	Marvell
G27-111T-118	10GBASE-T	1x1	Low	40°C to 85°C	Aquantia

Part Drawing



X-ON Electronics

Largest Supplier of Electrical and Electronic Components

Click to view similar products for [Modular Connectors / Ethernet Connectors](#) category:

Click to view products by [Bel Fuse](#) manufacturer:

Other Similar products are found below :

[8949-H88/06BLKA/SN](#) [74441-0010/BKN](#) [MP1010RX-1000](#) [MP44RX-1000](#) [PHJ-4P4C-1-V-4](#) [PHP-6P6C-5](#) [GAX-3-66](#) [GAX-8-62](#) [GDCX-PA-66-50](#) [GDCX-PN-64](#) [GDCX-PN-66](#) [GDCX-PN-66-50](#) [GDLX-A-66](#) [GDLX-N-66](#) [GDLX-S-66](#) [GDLX-S-88K](#) [GDLX-SMT-S-88](#) [GDTX-S-88-50](#) [GDX-PA-1010](#) [GLX-N-1010M-BLK](#) [GLX-S-88M-BLK](#) [GMX-N-1010](#) [GMX-S-1010](#) [GMX-S-66](#) [GMX-SMT4-N-88](#) [GPX-2-64](#) [GSGX-N-2-88](#) [GSGX-N-4-88](#) [GSX-NS2-88-3.05](#) [GSX-NS2-88-3.05-50](#) [GSX-NS-88-3.05-50](#) [PT-108A-8C-UL](#) [PT-J951-8C](#) [PTS-J531-8CS-50UL](#) [1-1775629-2](#) [A-2014-0-4](#) [GWLX-S-88-GR](#) [GWLX-S9-88-YG](#) [DC-1021-8-WH-6](#) [1300530003](#) [1324640-4](#) [RJ11FTVC2G](#) [RJ11FTVC2N](#) [RJFTVX2SA1G](#) [132764-001](#) [1413235](#) [MP88X-1000](#) [MPS88RX-5000](#) [E5288-S000K3-L](#) [E5908-15A242-L](#)