

DATA CONTAINED IN THIS DOCUMENT IS PROPRIETARY TO EMERSON CONNECTIVITY SOLUTIONS AND SHALL NOT BE DISCLOSED, COPIED OR USED FOR PRODUCTION OR MANUFACTURE WITHOUT EXPRESS WRITTEN PERMISSION

REVISIONS			
REV	DESCRIPTIONS	DATE	APPROVED
L	ECO 52158	6/3/11	TSS

TABLE 1					
MODEL NO	NO OF HOLES	A DIM	B DIM	C DIM	(D) DIM
JSIB-24L	24	1.635	1.430	—	15.730
JSIB-32A	32	2.000	1.000	—	15.000
JSIB-40	40	1.615	.830	—	15.770
JSIB-48A	48	2.313	.625	—	14.375
JSIB-48	48	1.625	.625	0.750	15.750
JSIB-52	52	1.688	.625	—	15.625

TABLE 2	
STD JACKS ACCOMMODATION	
J24WHF, J24WTHF-75, J24W, J24WT-75, J15-N, J15W-N, J3, J3W, J3A, J3WA, J3D, J3WD, J3E-N, J3WE-N, J3C-N, J3WC-N, J5, J5W, J13-R, J13W-R, J13C-N-R, J13WC-N-R, J72, J72S-N, J72D, J14, J14W, J14C-N, J14WC-N, J14T-R, J14WT-R, J14M, J14MT-R, J14WMT-R, J14WM, J14A, J14WA, J214W/T-75	

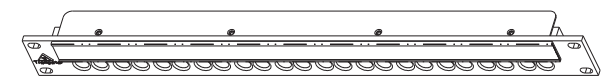
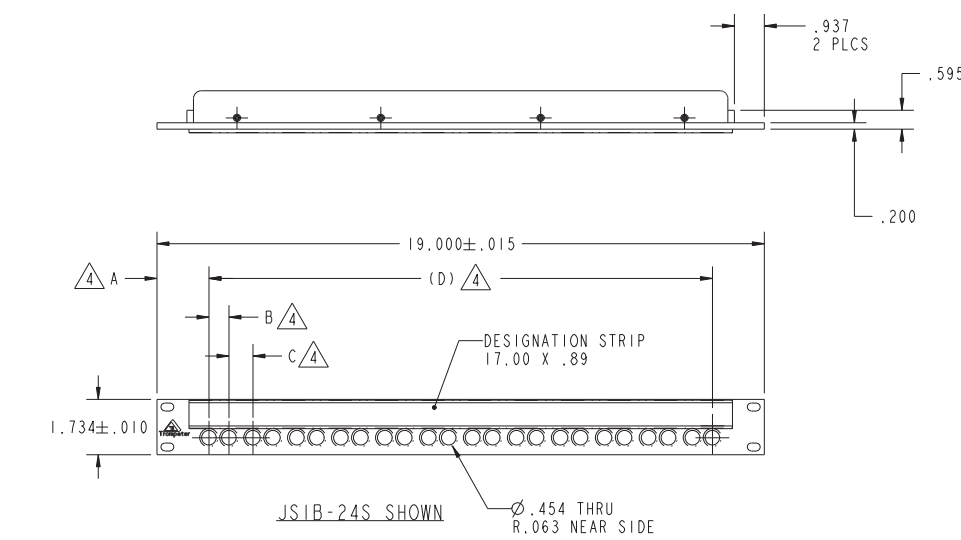
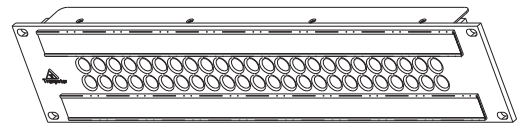
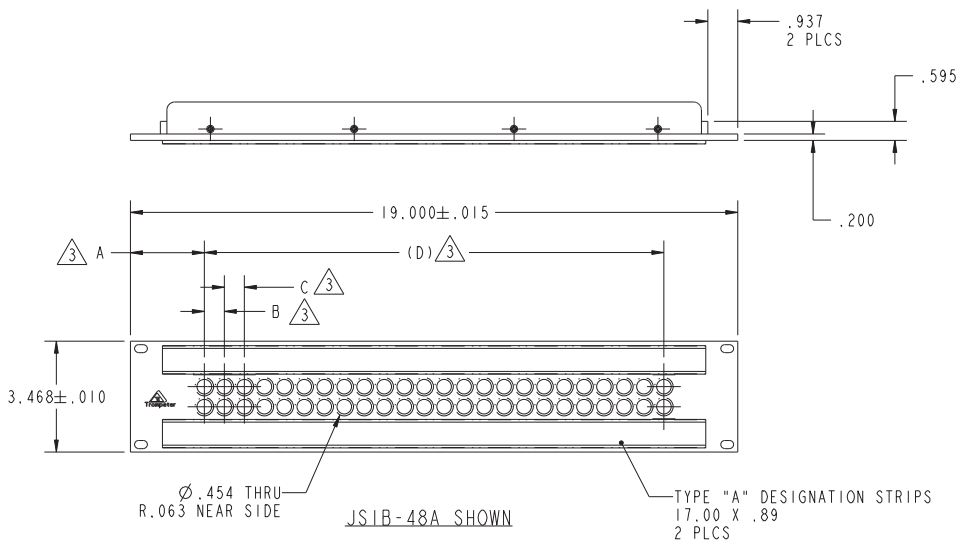


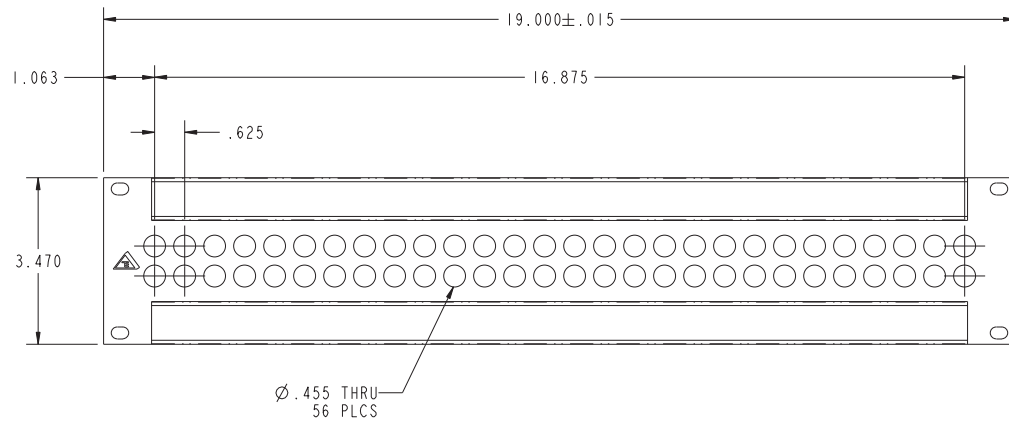
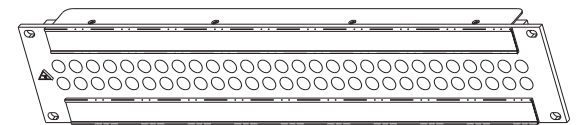
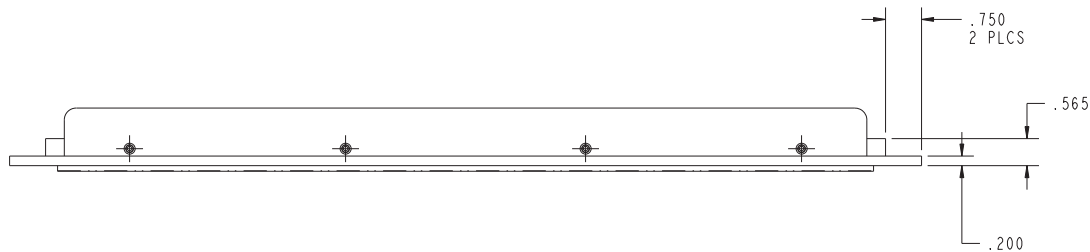
TABLE 3					
MODEL NO	NO OF HOLES	A DIM	B DIM	C DIM	(D) DIM
JSIB-24S	24	1.625	.625	.750	15.750
JSIB-26	26	1.688	.625	—	15.625

TABLE 4	
STD JACKS ACCOMMODATION	
J3, J3W, J3A, J3WA, J3D, J3WD, J3E-N, J3WE-N, J3C-N, J3WC-N, J5, J5W, J13-R, J13W-R, J13C-N-R, J13WC-N-R, J72, J72S-N, J72D,	

- 4. SEE TABLE 3 FOR NUMBER OF HOLES AND SPACING
- 3. SEE TABLE 1 FOR NUMBER OF HOLES AND SPACING
- 2. PANELS PER EIA-310
- 1. MATERIAL: PANEL: BLACK ARBORON
- 5. EXAMPLE OF COMPLETE MODEL NUMBER: JSIB-48TB/J214W
- BASIC MODEL NUMBER
- NUMBER OF HOLES (SEE TABLES 1 OR 3)
- JACK TYPE ONLY IF REQUIRED (SEE TABLE 2 OR 4)
- TIE BAR (OPTIONAL)

NOTES: UNLESS OTHERWISE SPECIFIED.

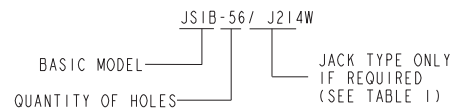
I INTERPRET DRAWING PER MIL-STD-100. DIMENSIONS ARE IN INCHES AND INCLUDE FINISH THICKNESS UNLESS OTHERWISE SPECIFIED.		TOL: UNLESS SPECIFIED: .XX ± .01 .XXX ± .003 .XXXX ± .0010 ANGLE ± 1° 00'		<p>Cinch Connectivity Solutions 299 Johnson Ave. Ste. 100 Waseca, MN 56093 1-800-247-8256</p>
DRN	BPK	6/3/11	MATERIAL:	
CHK	TSS	6/6/11	FINISH:	TITLE: JSIB BLACK
MANUF				
APPROVED			SIZE	REV.
SURFACE AREA	PROJ/FILE NO. 155-0902	DO NOT SCALE DWG	C 14949	L
			DRAWING NO. 155-0902	
			SCALE 3:1	
			DATE 1/13/97	
			SHEET 1 OF 4	



JS1B-56 SHOWN

TABLE I
STD JACKS ACCOMMODATION
J24WHF, J24WTHF-75, J24W, J24WT-75, J15-N, J15W-N, J3, J3W, J3A, J3WA, J3D, J3WD, J3E-N, J3WE-N, J3C-N, J3WC-N J5, J5W, J13-R, J13W-R, J13C-N-R, J13WC-N-R, J72, J72S-N, J72D, J14, J14W, J14C-N, J14WC-N, J14T-R, J14WT-R, J14M, J14MT-R, J14WMT-R, J14WM, J14A, J14WA, J214W/T-75

3. EXAMPLE OF COMPLETE MODEL NUMBER:



2. PANELS PER EIA-310

☐ MATERIAL: PANEL: BLACK ARBORON

NOTES: UNLESS OTHERWISE SPECIFIED.

X-ON Electronics

Largest Supplier of Electrical and Electronic Components

Click to view similar products for [Patch Panels](#) category:

Click to view products by [Bel Fuse](#) manufacturer:

Other Similar products are found below :

[MMVP96K2N75T](#) [MMVP96K2NNT](#) [MMVP96K2NT](#) [MMVP96K3NNT](#) [QGPK1LCM](#) [QGPK3CAT5E](#) [QGPK3CAT5ES](#) [QGPK3LC](#)
[QGPK3LCM](#) [QGPK3ST](#) [QGPK3STM](#) [DS303](#) [DS311](#) [DS317](#) [JS-16](#) [JSH-24](#) [QGPK1CAT5ES](#) [QGPK1CAT6S](#) [QGPK1SC](#) [QGPK1SCM](#)
[QGPK1ST](#) [QGPK1STM](#) [QGPK3CAT6](#) [QGPK3CAT6S](#) [QGPK3SC](#) [TT91202](#) [TT91402](#) [MMVP48K275T](#) [MMVP48K2NNT](#)
[MMVP48K2NT](#) [MMVP96K275T](#) [MMVP96K375T](#) [MMVP96K3N75T](#) [JSIS-72](#) [K576](#) [DS385](#) [Switchcraft TT518](#) [TT95DC](#) [TT91002](#)
[JP072000](#) [DS368](#) [JS-36A](#) [JSI-8D2SF24](#) [JSIX-64S](#) [JSI-48A](#) [JS-52W](#) [JSI-40S](#) [K6004B](#) [314DI](#) [K6002D](#)