

## Front Panels

### Description

Front panels are available for 19" DIN-rack mounting of 3 U cassette type power supplies in *Schroff* system version (*Intermas* system on request) and may be attached to the converter by means of countersunk screws.

An assembly kit, consisting of a front panel and a support bracket, enables arrangement of two standard cassettes with up to six output voltages in 6 U configuration.

All front panels are of colorless anodized aluminum and delivered with one or 2 grey plastic handles of 3 TE for easy pull-out and 2 or 4 hand-press insertable plastic retainers with captive screws for fixing to the rack.

**Note:** Custom specific front panels are available on request.

Dimensions according to DIN 41494-1 (IEC 60297):

Width: 1 TE = 5.08 mm (0.2")

Height: 1 U = 44.45 mm (1.75")

Tolerances:  $\pm 0.2$  mm, unless otherwise specified.

**Note:** In Europe, often *HE* instead of *U* is used.

### Schroff System for 3 U Rack

#### Q-, P- Series Front Panels in 4, 5, or 6 TE

These front panels available in three versions and fit to all DC-DC converters of the Q, P and HP Series; see fig. 1 for the mechanical details.

Table 1: Front panel selection for P and Q Series

TE	X mm	Case	Conv. series	Panel type	Designation
4	20.0	Q01, Q05	Q, HP	G04-Q01	HZZ00835
		Q04	P	G04-Q04	HZZ00840
5	25.1	Q01, Q05	Q, HP	G05-Q01	HZZ00836
		Q04	P	G05-Q04	HZZ00841
6	30.2	Q01, Q05	Q, HP	G06-Q01	HZZ00839
		Q04	P	G06-Q04	HZZ00842
8	40.3	Q01, Q05	Q, HP	G08-Q01	HZZ00846
		Q04	P	G08-Q04	HZZ00850

**Note:** For using several units nearby to each other, we advise to pack them not too densely, in order to assure good thermal management (see also relevant data sheet).

#### Delivery contents:

Front panel, grey plastic handle, 3 countersunk screws, set of 2 plastic retainers with captive screws, and assembly instruction.

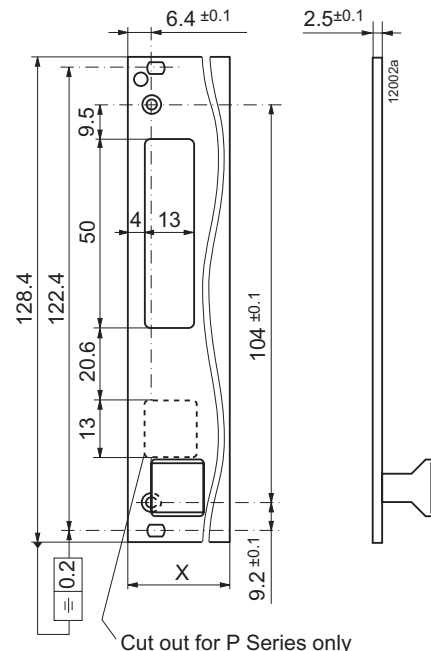


Fig. 1  
Front panel for Q, P and HP Series converters

### Front Panels 8 TE for M and LH Series

This front panel fits to all 50 Watt DC-DC and AC-DC converters of the M Series (case M02) and LH Series (case H02).

Table 2: Front panel selection for M and LH Series

TE	mm	Case size	Converter series	Panel type Designation
8	40.3	M02	M	G08-M02
		H02	LH	HZZ00802

Delivery content:

Front panel with grey plastic handle, 2 countersunk screws, set of 2 plastic retainers with captive screws, and assembly instruction.

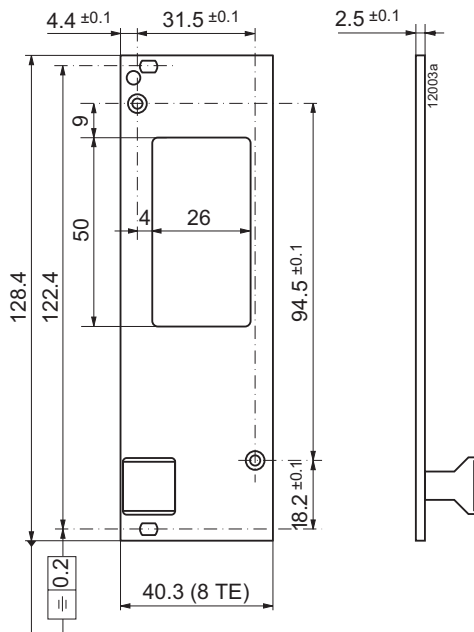


Fig. 2  
Front panel for M and LH Series

### Front Panels 8 TE for PSL Series

This front panel fits to the Switching Regulators of the PSL Series (case size L04).

Table 3: Front panel selection for PSL Series

TE	mm	Case size	Converter series	Panel type Designation
8	40.3	L04	PSL	G08-L HZZ00805
			PSL with opt. D	G08-L04-D HZZ00816

Delivery contents:

Front panel with grey plastic handle, 2 countersunk screws, set of 2 plastic retainers with captive screws and assembly instructions.

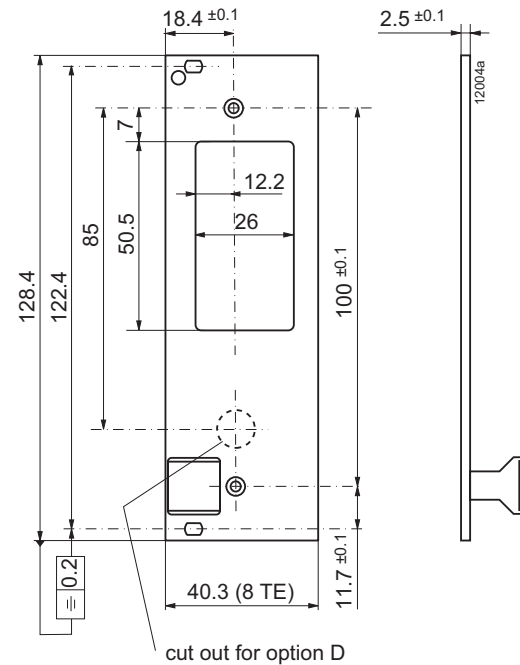


Fig. 3  
Front panel for PSL Series

### Front Panels 12 TE for S, HR, HRL, ER, ERL, PSS Front Panels 16 TE for K, HRP, ERP, PSK

These front panels fit to the converter series mentioned in the table below

Table 4: Front panel selection for S, K, PSS, PSK, and all R Series converters

TE	Width x mm	Case size	Converter series	Panel type Designation
12	60.6	S01	PSS	G12-S HZZ00845
		S02	S	
		S03	ERL, HRL	
16	81.0	K01	PSK	G16-K HZZ00831
		K02	K	
		K03	ERP, HRP	

Delivery contents:

Front panel with grey plastic handle, two countersunk screws, set of four plastic retainers with captive screws and assembly instructions.

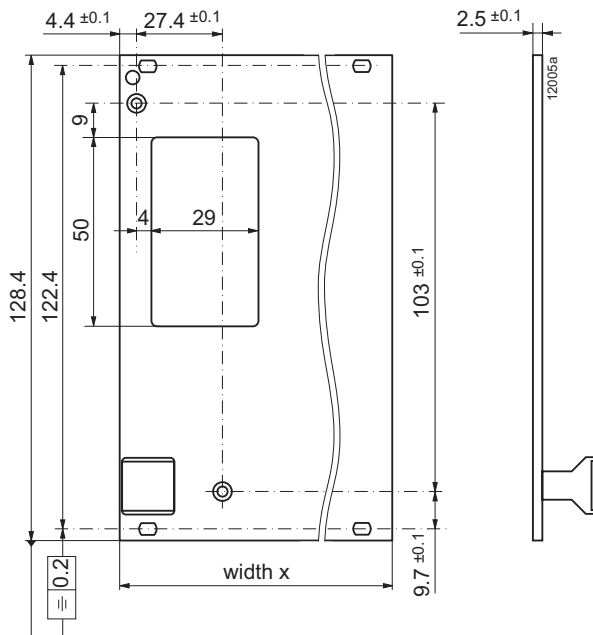


Fig. 4  
Front panels for S, K, R, PSS, PSK Series; see table 4

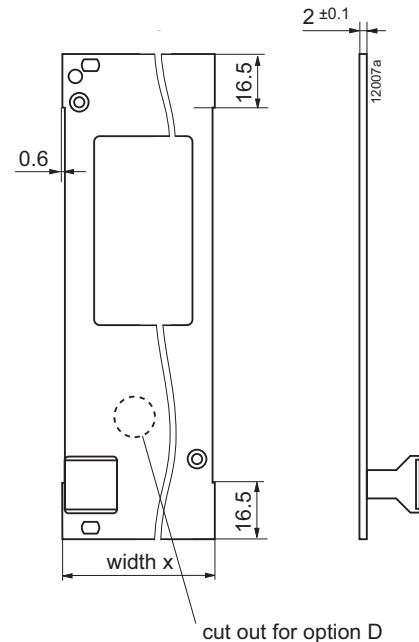


Fig. 5  
Interma system front panels (various case sizes)

### Interma System for 3 U Rack

The major differences between the Interma and the Schroff system front panels are the thickness (2 mm instead of 2.5 mm), the hole size for the plastic retainers, and a small cut-out on each side; see figure 5. All other dimensions are specified in the relevant Schroff front panel drawings.

The following Interma front panels are available on request:

Table 5: Interma front panel selection

TE	Width x	Case size	Converter series	Panel type Designation	
	mm				
8	40.3	H02	LH	F08-M02	
			M02	M	HZZ00702
8	40.3	L04	PSL	F08-L HZZ00705	
			PSL with opt. D	F08-L04-D HZZ00716	
12	60.6	S01	PSS	F12-S HZZ00732	
			S02		S
			S03		HR, HRL, ER, ERL
16	81.0	K01	PSK	F16-K HZZ00731	
			K02		K
			K03		HRP, ERP

Delivery contents:

Front panel with grey plastic handle, 2 countersunk screws and assembly instructions.

### Schroff System Kit for 6 U Rack

To configure Melcher converters for use in 6 U racks, a special assembly kit has been created consisting of a double-height front panel together with a support bracket for 2 converters as shown in figure 6.

All other dimensions are given in the relevant 3 U front panel drawings according to their case size. The assembly kit is available with the type designation according to the following table:

Table 6: 6 U assembly kit selection

Width x TE	mm	Case size	Converter series	Type Designation
5	25.1	Q01	Q	Kit G05-6HE-Q01 HZZ00838
		Q05	HP	
		Q04	P	Kit G05-6HE-Q04 HZZ00844
8	40.3	H02	LH	Kit G08-6HE-M02 HZZ00804
		M02	M	
12	60.6	S01	PSS	Kit G12-6HE-S HZZ00833
		S02	S	
		S03	HR, HRL, ER, ERL	
16	81.0	K01	PSK	Kit G16-6HE-K HZZ00832
		K02	K	
		K03	ERP, HRP	

Delivery contents:

Double-height front panel with 2 grey plastic handles, 4 countersunk screws, set of 2 plastic retainers with captive screws, a support bracket, and assembly instruction.

Supporting Angle P/Q (HZZ01302-G)

The kit contains the support angel XMS052-G and 2 counter sunk screws in a bag.

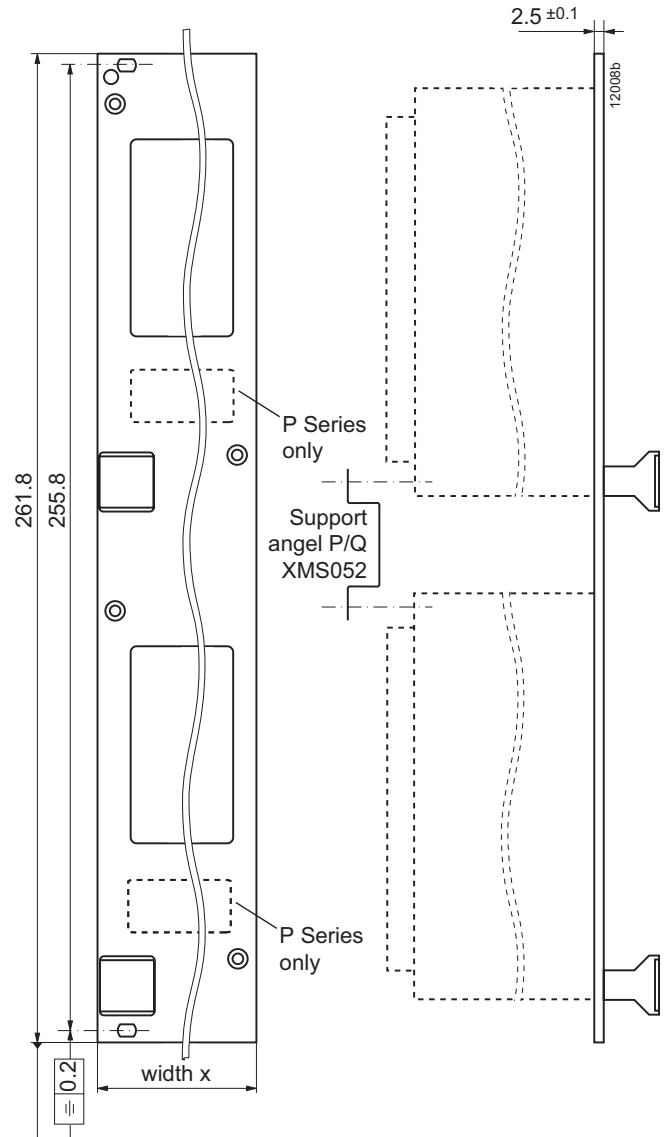


Fig. 6  
 Front panel for 6 U configuration (various case sizes).  
 Different additional holes depending on the model are not shown in the drawing.

## DIN-Rack Systems

Complete 19" rack with side walls, transversal rails, and mounting flanges. 6 guiding rails are included for set up of a system. The rails shall be fixed to the rack by the included screws (12 screws M2.5 x 12 and 12 nuts).

The rack can be used for 19" cassette style converters such as Q, P, HP, M, K, S, R, etc. (additional guiding rails XKR001-G may be necessary).

Part no.: MQB02002 (system Rittal)  
Size: 19" x 3 U / 84 HP (483 x 132 x 235 mm)  
Guiding rails: HZZ01228-G (10 pcs XKR001-G in a bag)



Enhanced version for Railway application (system Schroff):

Part no.: MQB02020G  
Guiding rails: HZZ01230-G (10 pcs. XAD.00056 + screws and nuts in a bag).

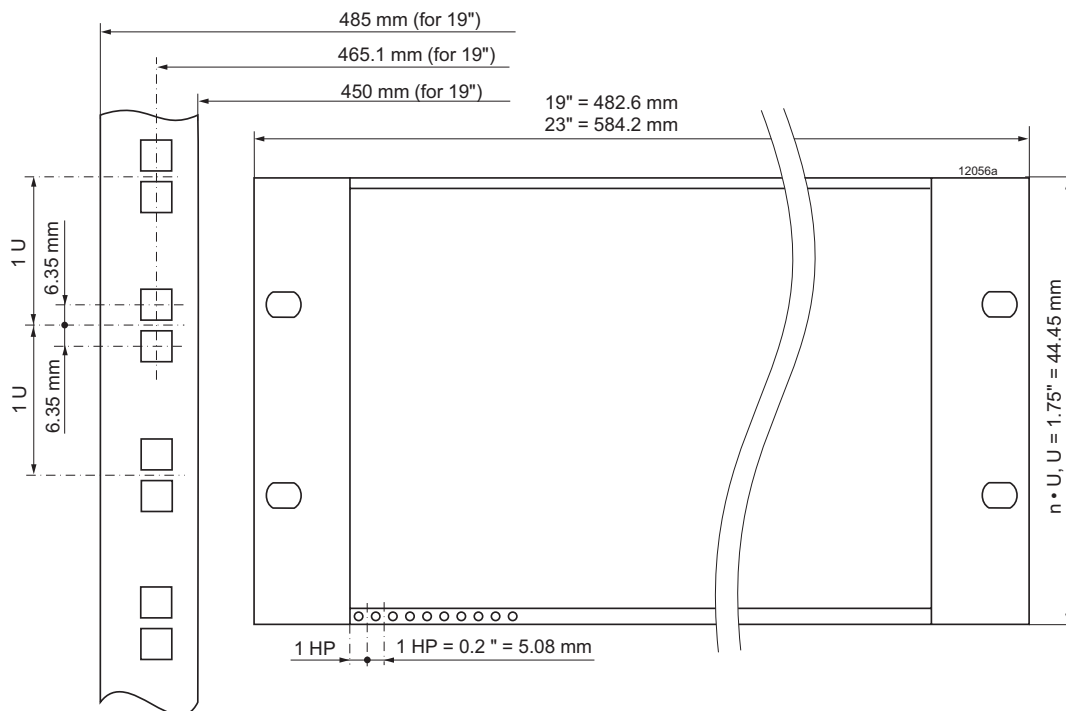


Fig. 7  
19" DIN-Rack systems

Dimensions in according to DIN 41494-1 (IEC 60297):

Width: 1 HP (or TE) = 5.08 mm (0.20"); height: 1 U (or HE) = 44.45 mm (1.750")

Tolerances  $\pm 0.2$  mm, unless otherwise specified.

NUCLEAR AND MEDICAL APPLICATIONS - These products are not designed or intended for use as critical components in life support systems, equipment used in hazardous environments, or nuclear control systems.

TECHNICAL REVISIONS - The appearance of products, including safety agency certifications pictured on labels, may change depending on the date manufactured. Specifications are subject to change without notice.

Copyright © 2016, Bel Power Solutions Inc. All rights reserved.

[www.belpowersolutions.com](http://www.belpowersolutions.com)

## X-ON Electronics

Largest Supplier of Electrical and Electronic Components

*Click to view similar products for [Switching Power Supplies](#) category:*

*Click to view products by [Bel Fuse](#) manufacturer:*

Other Similar products are found below :

[70841011](#) [73-551-0005](#) [AAD600S-4-OP](#) [R22095](#) [HWS50A-5/RA](#) [KD0204](#) [9021](#) [S-15F-12](#) [LDIN100150](#) [LPM000-BBAR-01](#) [LPX17S-C](#)  
[EVS57-10R6/R](#) [FDC40-24S12](#) [FRV7000G](#) [22929](#) [CQM1IA121](#) [40370121900](#) [VI-PU22-EXX](#) [40370121910](#) [LDIN5075](#) [432703037161](#)  
[WRB01X-U](#) [LPX140-C](#) [08-30466-1040G](#) [09-160CFG](#) [70841004](#) [70841025](#) [VPX3000-CBL-DC](#) [LPM000-BBAR-05](#) [LPM000-BBAR-08](#)  
[LPM124-OUTA1-48](#) [LPM000-BBAR-07](#) [LPM109-OUTA1-10](#) [LPM616-CHAS](#) [08-30466-1055G](#) [08-30466-2175G](#) [DMB-EWG](#) [TVQF-](#)  
[1219-18S](#) [6504-226-2101](#) [CQM1IPS01](#) [XPFM201A+](#) [MAP80-4000G](#) [LFP300F-24-TY](#) [SMP21-L20-DC24V-5A](#) [VI-MUL-ES](#) [08-30466-](#)  
[0065G](#) [CME240P-24](#) [VI-RU031-EWWX](#) [08-30466-0028G](#) [S82Y-TS01](#)