

THE INFORMATION CONTAINED HEREIN IS CONSIDERED 'PROPRIETARY' TO BEL FUSE INC. AND SHALL NOT BE COPIED, REPRODUCED OR DISCLOSED WITHOUT THE WRITTEN APPROVAL OF BEL FUSE INC.

LED1 POLARITY			LED2 POLARITY		
PIN 13	PIN 14	COLOR	PIN 15	PIN 16	COLOR
-	+	YELLOW	-	+	GREEN
/	/	/	+	-	ORANGE

RoHS  
2002/95/EC



**ELECTRICAL CHARACTERISTICS @ 25°C**

**URNS RATIO**

TP1	1CT : 1CT ±2%
TP2	1CT : 1CT ±2%
TP3	1CT : 1CT ±2%
TP4	1CT : 1CT ±2%

**DCL @ 100kHz/100mVRMS**

8mA DC BIAS 350µH MIN.

**INS. LOSS**

0.1MHz TO 1MHz	-1.1 dB MAX
1MHz TO 65MHz	-0.5 dB MAX
65MHz TO 100MHz	-0.8 dB MAX
100MHz TO 125MHz	-1.2 dB MAX

**RET. LOSS (MIN)**

0.5MHz-40MHz	-18 dB
40MHz-100MHz	-12+20LOG(f/80MHz) dB

**Cross Talk**

Ch1-Ch2, Ch2-Ch3, Ch3-Ch4  
Ch4-Ch1, Ch2-Ch4, Ch3-Ch1

1MHz - 30MHz	-37dB MIN
30MHz - 80MHz	-29dB MIN
80MHz - 100MHz	-28dB MIN

**CM TO DM REJ**

100kHz - 100MHz -35 dB MIN

**HIPOT (Isolation Voltage):**

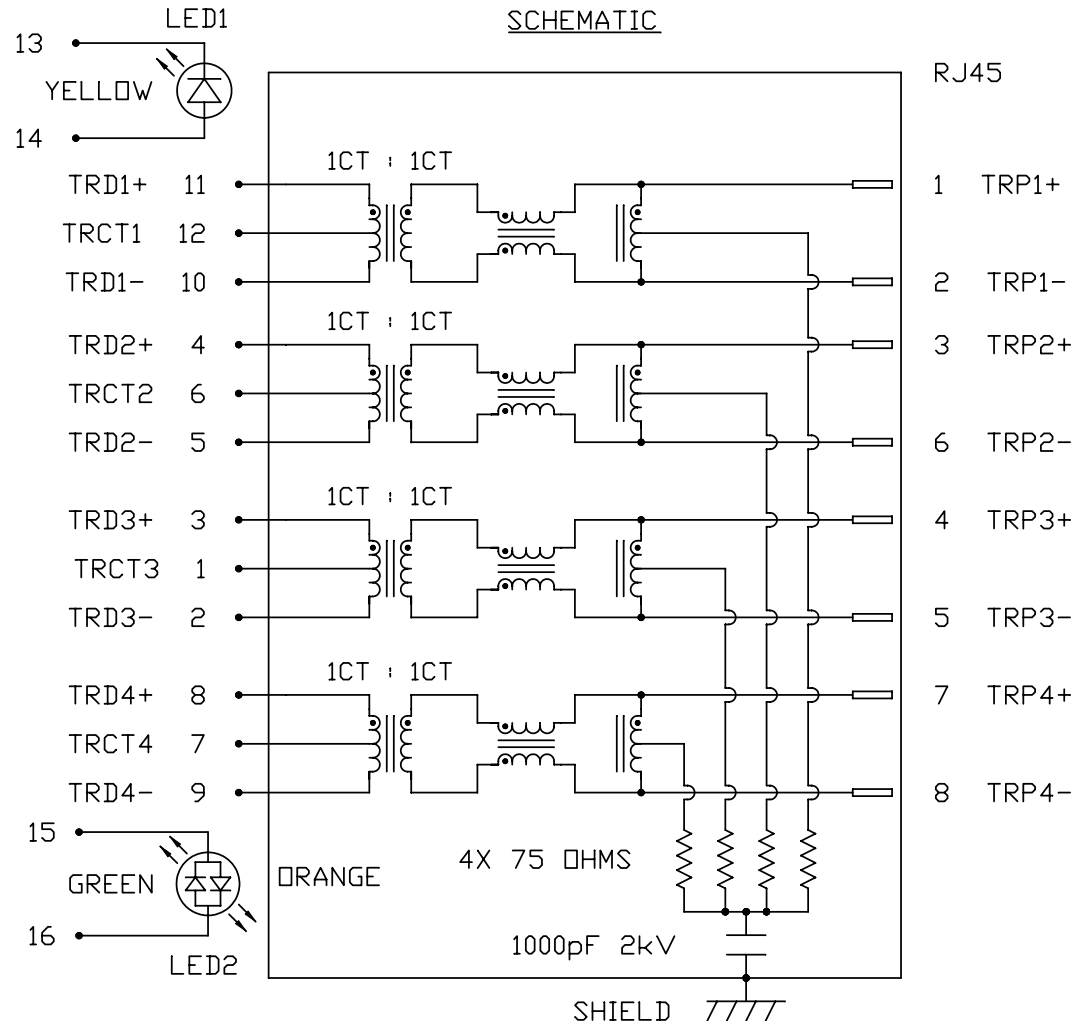
1500 Vrms  
100% OF PRODUCTION TESTED TO COMPLY  
WITH IEEE 802.3 ISOLATION REQUIREMENTS.

**LED1**

VF (FORWARD VOLTAGE)	IF=20mA YELLOW	2.1V TYP.
λD (DOMINANT WAVELENGTH)	IF=20mA YELLOW	590nm TYP.

**LED2**

VF (FORWARD VOLTAGE)	IF=20mA GREEN	2.2V TYP.
	ORANGE	2.0V TYP.
λD (DOMINANT WAVELENGTH)	IF=20mA GREEN	565nm TYP.
	ORANGE	610nm TYP.



<b>ORIGINATED BY</b>	<b>DATE</b>
CHOW WANGCHUNG	02-17-11
<b>DRAWN BY</b>	<b>DATE</b>
LEE WEIDE	02-17-11

<b>TITLE</b>
1X4 gigabit MagJack® (12 cores, Tab Up) L826-1X4T-23-F

<b>PART NO. / DRAWING NO.</b>
L8261X4T23-F
<b>FILE NAME</b>
L8261X4T23-F_D.DWG

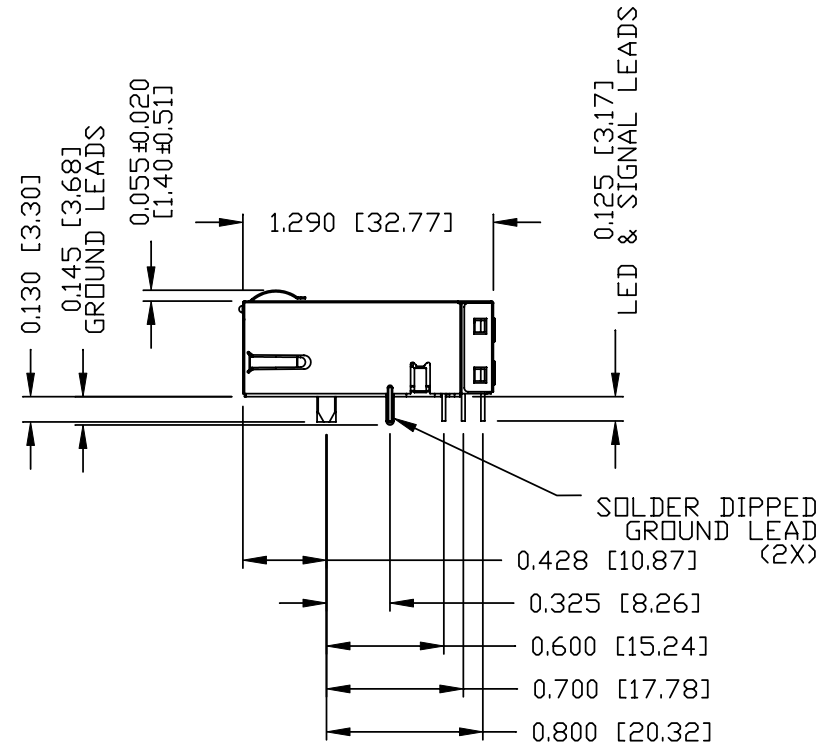
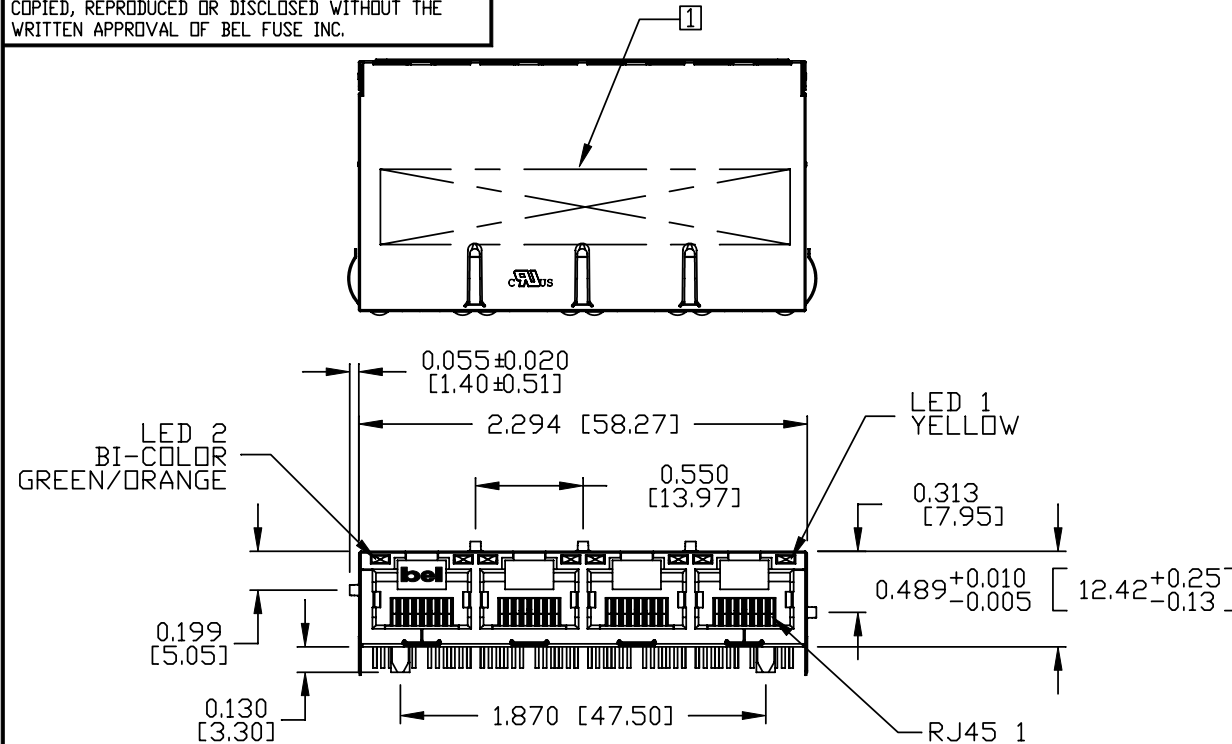
<b>STANDARD DIM.</b>
TOL. IN INCH
.X
.XX
.XXX

<b>[ ] METRIC DIM. AS REFERENCE</b>
UNIT : INCH [mm]
SCALE : N/A
REV. : D
SIZE : A4
PAGE : 2



THE INFORMATION CONTAINED HEREIN IS CONSIDERED 'PROPRIETARY' TO BEL FUSE INC. AND SHALL NOT BE COPIED, REPRODUCED OR DISCLOSED WITHOUT THE WRITTEN APPROVAL OF BEL FUSE INC.

RoHS  
2002/95/EC



**NOTES:**

PLASTIC HOUSING: THERMOPLASTIC PBT  
FLAMMABILITY RATING UL 94V-0  
CONTACTS PLATING: 50 MICRO-INCH HARD GOLD PLATING  
PINS: TIN-COATED COPPER WIRE, DIA 0.018 INCH.  
METAL SHIELD: NICKEL PLATED ON COPPER ALLOY.  
(ALL GROUND LEADS ARE SOLDER DIPPING)

1. MARK PART WITH MFG LOGO, MFG NAME, PART NUMBER, DATE CODE AND PATENTED.  
JACK CAVITY CONFORMS TO FCC RULES AND REGULATIONS.

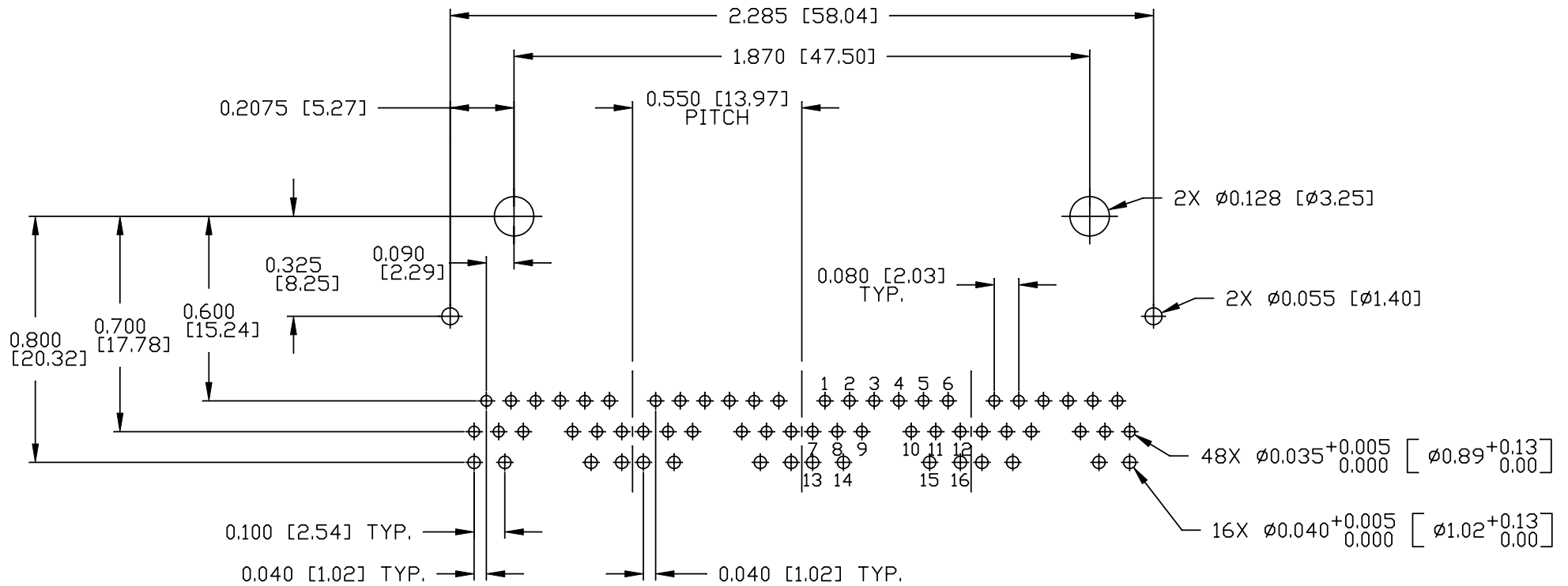
**bel** UL RECOGNIZED - FILE #E196366 AND E169987.  
RoHS COMPLIANCE, PER EU DIRECTIVE 2002/95/EC.

2. THE PRODUCT IS PATENT PRODUCT. THE PATENT NUMBER IS U.S. PAT. 5,736,910.

ORIGINATED BY	DATE	TITLE	PART NO. / DRAWING NO.	STANDARD DIM.		[ ] METRIC DIM. AS REFERENCE		bel
				TOL. IN INCH		UNIT : INCH [mm]	REV. : D	
ANTON LIAO	02-17-11	1X4 gigabit MagJack® (12 cores, Tab Up)	L8261X4T23-F	.X		SCALE : N/A	SIZE : A4	COMPONENTS FOR A CONNECTED PLANET
DRAWN BY	DATE		FILE NAME	.XX			PAGE : 3	
SHAWN FENG	02-17-11	L826-1X4T-23-F	L8261X4T23-F_D.DWG	.XXX	±0.010			

THE INFORMATION CONTAINED HEREIN IS CONSIDERED 'PROPRIETARY' TO BEL FUSE INC. AND SHALL NOT BE COPIED, REPRODUCED OR DISCLOSED WITHOUT THE WRITTEN APPROVAL OF BEL FUSE INC.

RoHS  
2002/95/EC



RECOMMENDED PCB FOOTPRINT  
(COMPONENT SIDE VIEW)

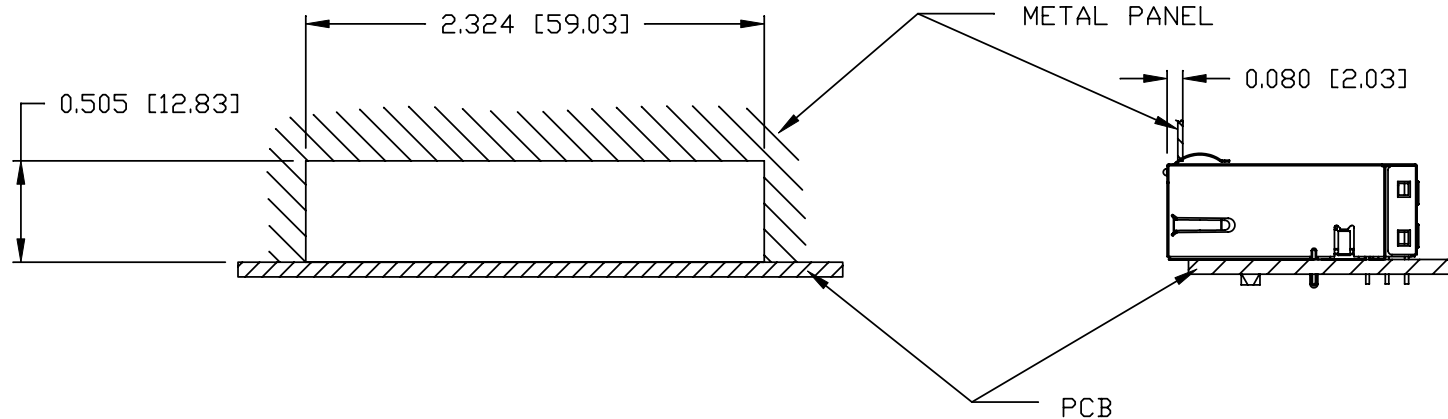
ORIGINATED BY ANTON LIAO	DATE 02-17-11	TITLE 1X4 glgabit MagJack® (12 cores, Tab Up) L826-1X4T-23-F	PART NO. / DRAWING NO. L8261X4T23-F		STANDARD DIM. TOL. IN INCH		[ ] METRIC DIM. AS REFERENCE		 COMPONENTS FOR A CONNECTED PLANET
	DRAWN BY SHAWN FENG		DATE 02-17-11	FILE NAME L8261X4T23-F_D.DWG	.X /XX /XXX	±0.004	UNIT : INCH [mm] SCALE : N/A	REV. : D SIZE : A4 PAGE : 4	

THE INFORMATION CONTAINED HEREIN IS CONSIDERED 'PROPRIETARY' TO BEL FUSE INC. AND SHALL NOT BE COPIED, REPRODUCED OR DISCLOSED WITHOUT THE WRITTEN APPROVAL OF BEL FUSE INC.

RoHS  
2002/95/EC



SUGGESTED PANEL OPENING



NOTE:

THE DISTANCE OF PANEL INSIDE SURFACE RELATIVE TO FRONT SURFACE OF PART IS ONLY A SUGGESTION. IN CASE THIS DISTANCE IS DIFFERENT, THE REQUIRED PANEL OPENING DIMENSIONS CHANGE ACCORDINGLY.

PACKING INFORMATION

PACKING TRAY: 0200-9999-D3 (TOP)

0200-9999-B5 (BOTTOM)

PACKING QUANTITY: 24 PCS FINISHED GOODS PER TRAY

10 TRAYS (240PCS FINISHED GOODS) PER CARTON BOX

REMARK : CARDBOARDS ARE PLACED BETWEEN LAYERS OF PACKING TRAY INSIDE CARTON BOX.  
(INCLUDE THE UPPERMOST AND LOWERMOST TRAY)

ORIGINATED BY ANTON LIAO	DATE 02-17-11	TITLE 1X4 gigabit MagJack® (12 cores, Tab Up) L826-1X4T-23-F	PART NO. / DRAWING NO. L8261X4T23-F	STANDARD DIM. TOL. IN INCH	[ ] METRIC DIM. AS REFERENCE	
				.X .XX .XXX	±0.004	UNIT : INCH [mm]
DRAWN BY SHAWN FENG	DATE 02-17-11		FILE NAME L8261X4T23-F_D.DWG		SCALE : N/A	SIZE : A4
						PAGE : 5



## X-ON Electronics

Largest Supplier of Electrical and Electronic Components

*Click to view similar products for [Modular Connectors / Ethernet Connectors](#) category:*

*Click to view products by [Bel Fuse](#) manufacturer:*

Other Similar products are found below :

[8949-H88/06BLKA/SN](#) [74441-0010/BKN](#) [MP1010RX-1000](#) [MP44RX-1000](#) [PHJ-4P4C-1-V-4](#) [PHP-6P6C-5](#) [GAX-3-66](#) [GAX-8-62](#) [GDCX-PA-66-50](#) [GDCX-PN-64](#) [GDCX-PN-66](#) [GDCX-PN-66-50](#) [GDLX-A-66](#) [GDLX-N-66](#) [GDLX-S-66](#) [GDLX-S-88K](#) [GDLX-SMT-S-88](#) [GDTX-S-88-50](#) [GDX-PA-1010](#) [GLX-N-1010M-BLK](#) [GLX-S-88M-BLK](#) [GMX-N-1010](#) [GMX-S-1010](#) [GMX-S-66](#) [GMX-SMT4-N-88](#) [GPX-2-64](#) [GSGX-N-2-88](#) [GSGX-N-4-88](#) [GSX-NS2-88-3.05](#) [GSX-NS2-88-3.05-50](#) [GSX-NS-88-3.05-50](#) [PT-108A-8C-UL](#) [PT-J951-8C](#) [PTS-J531-8CS-50UL](#) [1-1775629-2](#) [A-2014-0-4](#) [GWLX-S-88-GR](#) [GWLX-S9-88-YG](#) [DC-1021-8-WH-6](#) [1300530003](#) [1324640-4](#) [RJ11FTVC2G](#) [RJ11FTVC2N](#) [RJFTVX2SA1G](#) [132764-001](#) [1413235](#) [MP88X-1000](#) [MPS88RX-5000](#) [E5288-S000K3-L](#) [E5908-15A242-L](#)