

THE INFORMATION CONTAINED HEREIN IS CONSIDERED "PROPRIETARY" TO BEL FUSE INC. AND SHALL NOT BE COPIED, REPRODUCED OR DISCLOSED WITHOUT THE WRITTEN APPROVAL OF BEL FUSE INC.

RoHS



HF

LED1 POLARITY			LED2 POLARITY		
PIN 13	PIN 14	COLOR	PIN 15	PIN 16	COLOR
-	+	GREEN	-	+	GREEN

ELECTRICAL CHARACTERISTICS @ 25°C

URNS RATIO

TP1	1CT : 1CT ±2%
TP2	1CT : 1CT ±2%
TP3	1CT : 1CT ±2%
TP4	1CT : 1CT ±2%

CL @ 100kHz/100mVRMS

8mA DC BIAS	350µH MIN.
-------------	------------

INS. LOSS

0.1MHz TO 1MHz	-1.1 dB MAX
1MHz TO 65MHz	-0.5 dB MAX
65MHz TO 100MHz	-0.8 dB MAX
100MHz TO 125MHz	-1.2 dB MAX

RET. LOSS (MIN) @ 100 OHMS +/-15%

0.5MHz-40MHz	-18 dB
40MHz-100MHz	-12+20LOG(f/80MHz) dB

CM TO CM REJ

100kHz - 100MHz	-30 dB MIN
-----------------	------------

CM TO DM REJ

100kHz - 100MHz	-35 dB MIN
-----------------	------------

HIPOT (Isolation Voltage):

1500 Vrms

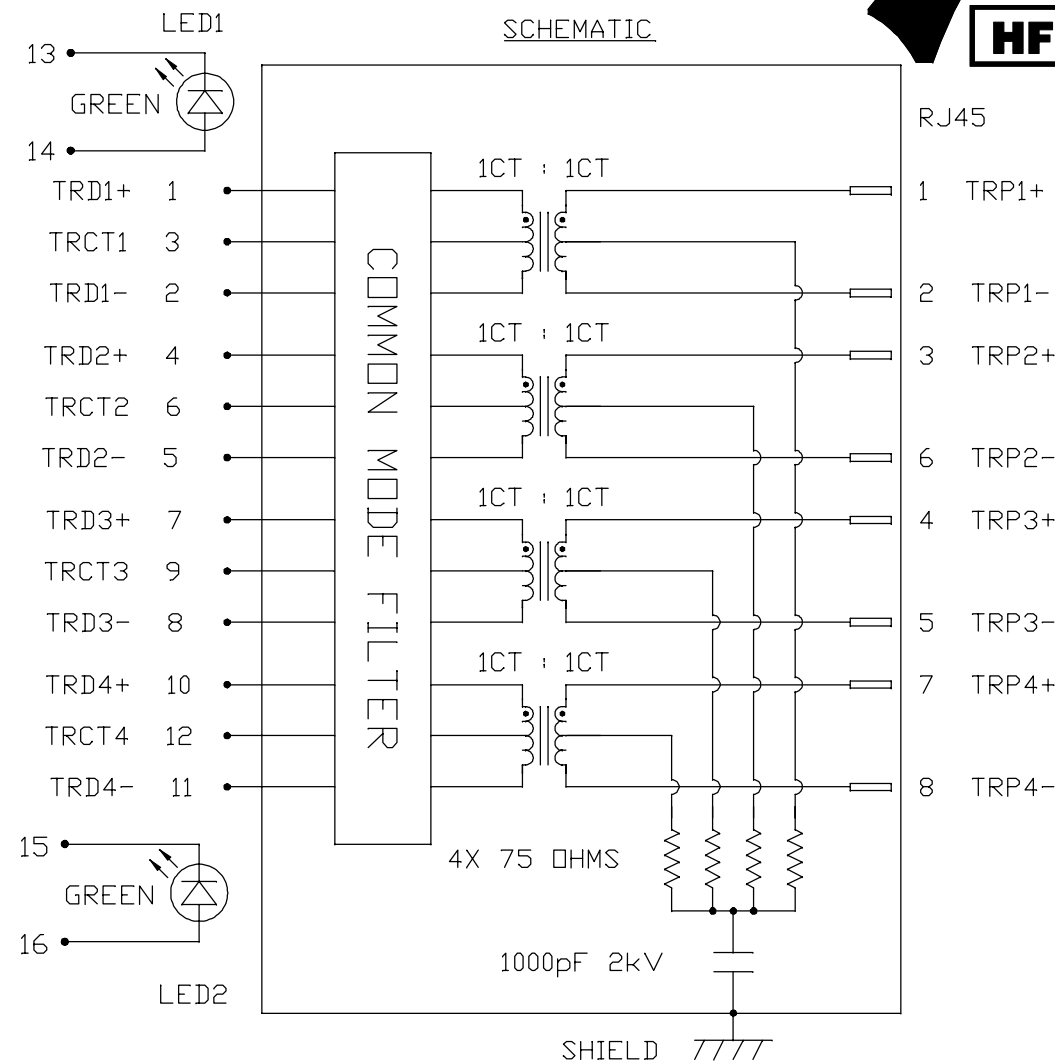
100% OF PRODUCTION TESTED TO COMPLY WITH

IEEE 802.3 ISOLATION REQUIREMENTS.

LED 1 & LED 2

VF (FORWARD VOLTAGE)	IF=20mA	GREEN	2.2V TYP.
λD (DOMINANT WAVELENGTH)	IF=20mA	GREEN	570nm TYP.

OPERATING TEMPERATURE: 0°C TO +70°C.



ORIGINATED BY  
CHOW WANCHUNG  
DATE 2017-02-27

DRAWN BY  
XIE YIMING  
DATE 2017-02-27

TITLE  
gigabit MagJack®  
(NanoJack)  
L8BE-1G1T-BFH  
PATENTED

PART NO. / DRAWING NO.  
L8BE-1G1TBFH

FILE NAME  
L8BE-1G1TBFH\_A.DWG

STANDARD DIM.  
TOL. IN INCH [ ] METRIC DIM.  
AS REF.

.X UNIT : INCH [mm]  
.XX SCALE : N/A  
.XXX SIZE : A4

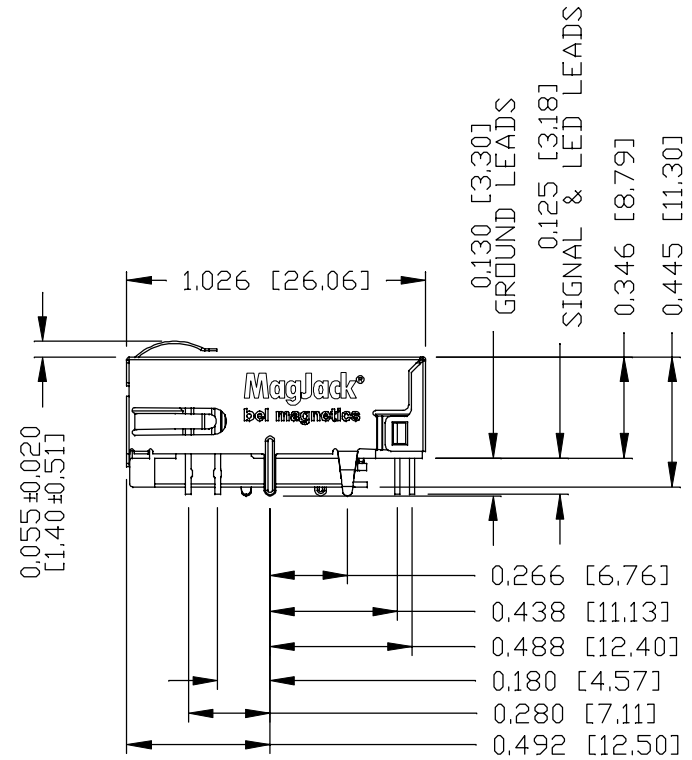
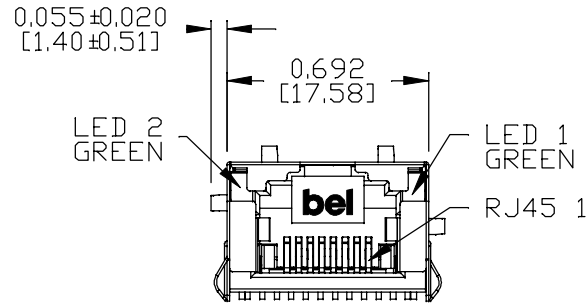
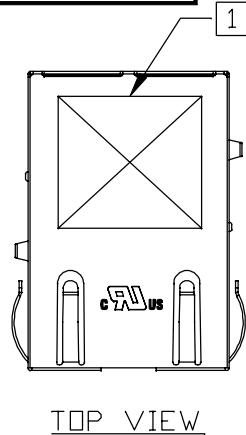
REV. : A PAGE : 2



a bel group

THE INFORMATION CONTAINED HEREIN IS CONSIDERED "PROPRIETARY" TO BEL FUSE INC. AND SHALL NOT BE COPIED, REPRODUCED OR DISCLOSED WITHOUT THE WRITTEN APPROVAL OF BEL FUSE INC.

MECHANICAL SPECIFICATION



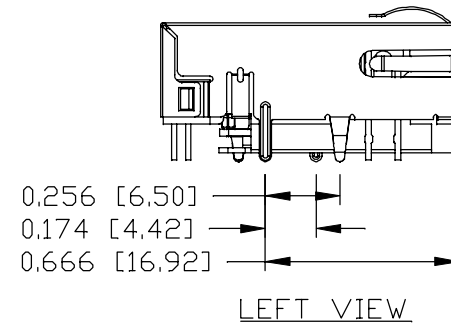
NOTES:

- PLASTIC HOUSING: THERMOPLASTIC PA, BLACK  
FLAMMABILITY RATING UL 94V-0
- CONTACTS: 30 MICRO-INCH HARD GOLD PLATING OR EQUIVALENT,  
30 MICRO-INCH MIN NICKEL UNDERPLATE.
- OUTPUT PINS: TIN-COATED COPPER WIRE, DIA 0.018 INCH.
- METAL SHIELD: NICKEL PLATED ON COPPER ALLOY,  
(ALL GROUND LEADS ARE SOLDER DIPPED)

- MARK PART WITH MFG LOGO, MFG NAME, PART NUMBER, DATE CODE AND "PATENTED" MARKING.
- THE PRODUCT IS PATENTED. THE PATENT NUMBER IS U.S. PAT. 7,123,117.
- JACK CAVITY CONFORMS TO FCC RULES AND REGULATIONS, PART 68 SUBPART F.
- THE PRODUCT IS RoHS COMPLIANT AND HALOGEN FREE.

**cULus** UL RECOGNIZED - FILE #E196366 AND E169987.

- THE PART IS COMPLIANT WITH WAVE SOLDERING AND IR REFLOW.  
FOR WAVE SOLDERING, THE SUGGESTED PEAK WAVE SOLDERING CONDITION IS 260°C MAX AND 10 SECONDS MAX.  
FOR IR REFLOW, THE SUGGESTED PEAK IR REFLOW CONDITION IS 245°C MAX AND 30 SECONDS MAX.



ORIGINATED BY  
ANTON LIAO  
DATE 2017-02-27

DRAWN BY  
LIU DONGJUN  
DATE 2017-02-27

TITLE  
gigabit MagJack®  
(NanoJack)  
L8BE-1G1T-BFH  
PATENTED

PART NO. / DRAWING NO.  
L8BE-1G1TBFH

FILE NAME  
L8BE-1G1TBFH\_A.DWG

STANDARD DIM. TOL. IN INCH	[ ] METRIC DIM. AS REF.
.X	UNIT : INCH [mm]
.XX	SCALE : N/A
.XXX	SIZE : A4

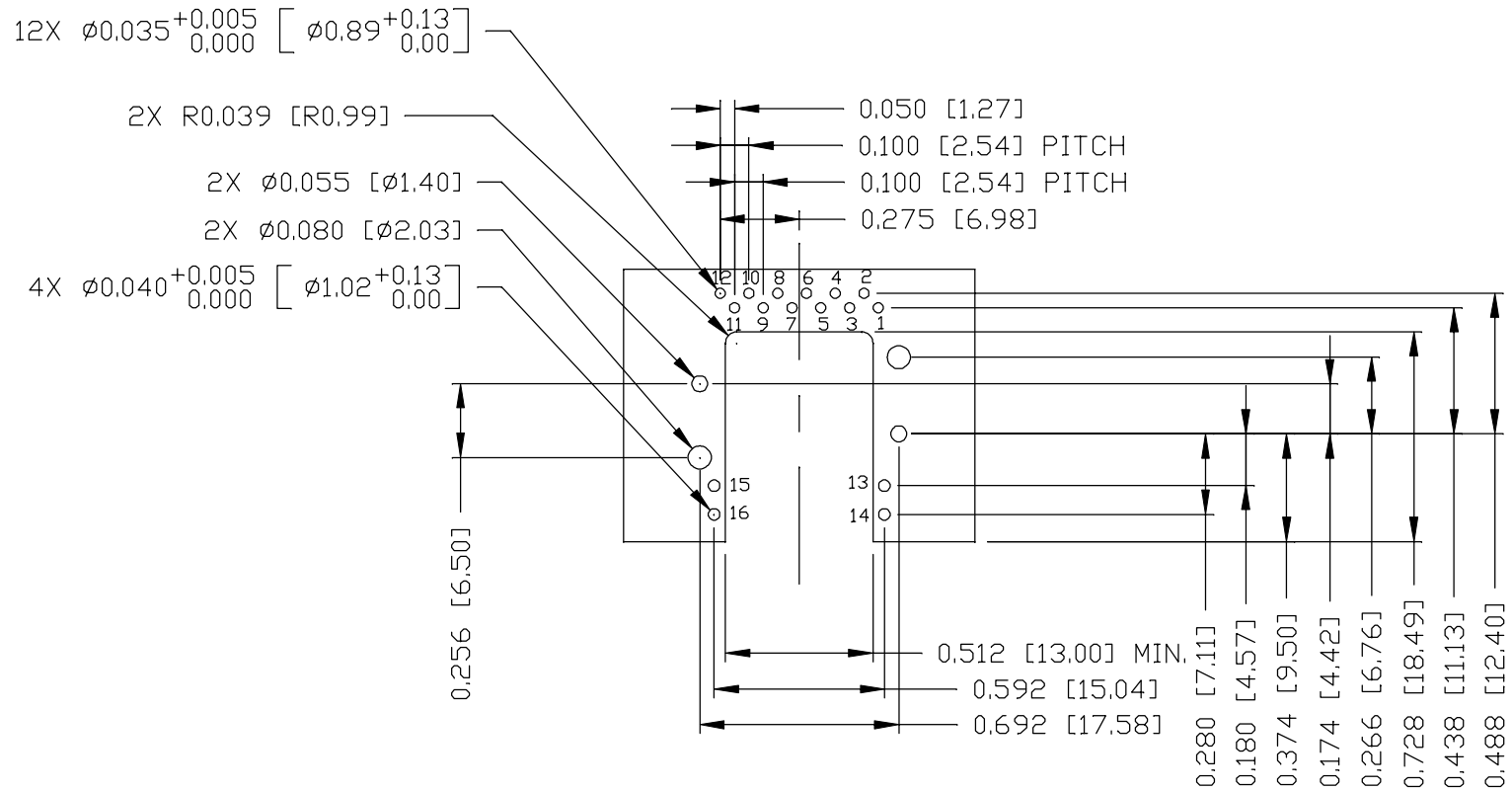
REV. : A PAGE : 3

a bel group

THE INFORMATION CONTAINED HEREIN IS CONSIDERED "PROPRIETARY" TO BEL FUSE INC. AND SHALL NOT BE COPIED, REPRODUCED OR DISCLOSED WITHOUT THE WRITTEN APPROVAL OF BEL FUSE INC.



RECOMMENDED PCB FOOTPRINT  
COMPONENT SIDE VIEW



ORIGINATED BY  
ANTON LIAO  
DATE 2017-02-27  
DRAWN BY  
LIU DONGJUN  
DATE 2017-02-27

TITLE  
gigabit MagJack®  
(NanoJack)  
L8BE-1G1T-BFH  
PATENTED

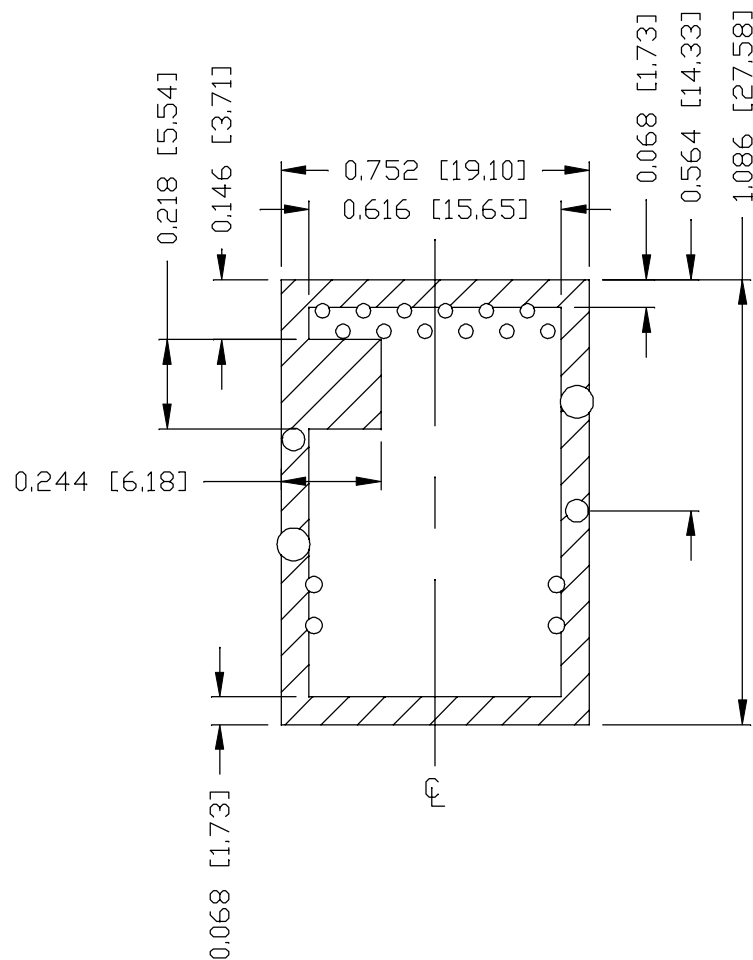
PART NO. / DRAWING NO.  
L8BE-1G1TBFH  
FILE NAME  
L8BE-1G1TBFH\_A.DWG

STANDARD DIM. TOL. IN INCH	[ ] METRIC DIM. AS REF.
.X	UNIT : INCH [mm]
.XX	SCALE : N/A
.XXX	SIZE : A4

REV. : A PAGE : 4



THE INFORMATION CONTAINED HEREIN IS CONSIDERED "PROPRIETARY" TO BEL FUSE INC. AND SHALL NOT BE COPIED, REPRODUCED OR DISCLOSED WITHOUT THE WRITTEN APPROVAL OF BEL FUSE INC.



NOTES

THE SHADED AREA ON THE CUSTOMER BOARD ARE RECOMMENDED TO BE CLEAR OFF ANY VIA HOLE OR COMPONENT PAD.

REV. : A PAGE : 5

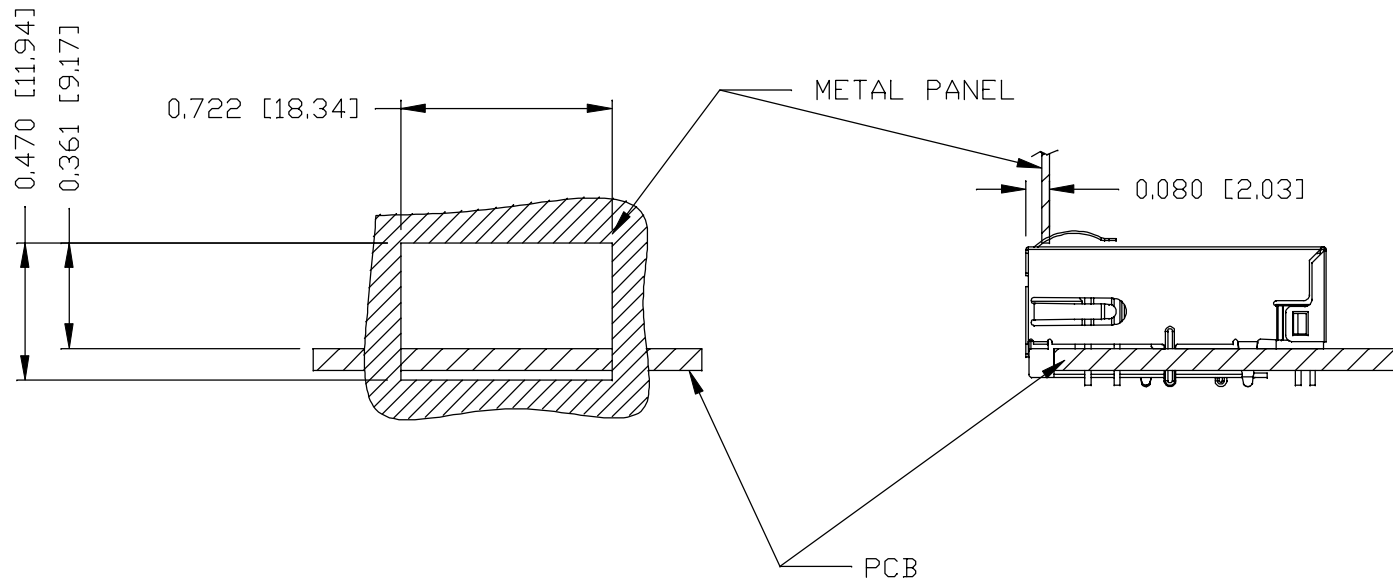
ORIGINATED BY ANTON LIAO DATE 2017-02-27	TITLE gigabit MagJack® (NanoJack) L8BE-1G1T-BFH PATENTED	PART NO. / DRAWING NO. L8BE-1G1TBFH	STANDARD DIM. [ ] METRIC DIM.	
			TOL. IN INCH	AS REF.
DRAWN BY LIU DONGJUN DATE 2017-02-27		FILE NAME L8BE-1G1TBFH_A.DWG	.X	UNIT : INCH [mm]
			.XX	SCALE : N/A
			.XXX ±0.004	SIZE : A4



THE INFORMATION CONTAINED HEREIN IS CONSIDERED "PROPRIETARY" TO BEL FUSE INC. AND SHALL NOT BE COPIED, REPRODUCED OR DISCLOSED WITHOUT THE WRITTEN APPROVAL OF BEL FUSE INC.



SUGGESTED PANEL OPENING



NOTES:

THE DISTANCE OF PANEL INSIDE SURFACE RELATIVE TO FRONT SURFACE OF PART IS ONLY A SUGGESTION. IN CASE THIS DISTANCE IS DIFFERENT, THE REQUIRED PANEL OPENING DIMENSIONS CHANGE ACCORDINGLY.

PACKING INFORMATION

PACKING TRAY : 0200M9999-C0 (TOP)  
0200M9999-C1 (BOTTOM)

PACKING QUANTITY : 54 PCS FINISHED GOODS PER TRAY  
11 TRAYS (594 PCS FINISHED GOODS) PER CARTON BOX

NOTER: CARDBOARDS ARE PLACED BETWEEN LAYERS OF PACKING TRAY INSIDE CARTON BOX  
(INCLUDE THE UPPERMOST AND LOWERMOST TRAY)

REV. : A PAGE : 6

<b>ORIGINATED BY</b> ANTON LIAO <b>DATE</b> 2017-02-27 <b>DRAWN BY</b> LIU DONGJUN <b>DATE</b> 2017-02-27	<b>TITLE</b> gigabit MagJack® (NanoJack) L8BE-1G1T-BFH PATENTED	<b>PART NO. / DRAWING NO.</b> L8BE-1G1TBFH	<b>STANDARD DIM. TOL. IN INCH</b> .X	<b>[ ] METRIC DIM. AS REF.</b>
		<b>FILE NAME</b> L8BE-1G1TBFH_A.DWG	.XX	<b>UNIT : INCH [mm]</b> SCALE : N/A
		.XXX ±0.004	<b>SIZE : A4</b>	



## X-ON Electronics

Largest Supplier of Electrical and Electronic Components

*Click to view similar products for [Modular Connectors / Ethernet Connectors](#) category:*

*Click to view products by [Bel Fuse](#) manufacturer:*

Other Similar products are found below :

[8949-H88/06BLKA/SN](#) [74441-0010/BKN](#) [MP1010RX-1000](#) [MP44RX-1000](#) [PHJ-4P4C-1-V-4](#) [PHP-6P6C-5](#) [GAX-3-66](#) [GAX-8-62](#) [GDCX-PA-66-50](#) [GDCX-PN-64](#) [GDCX-PN-66](#) [GDCX-PN-66-50](#) [GDLX-A-66](#) [GDLX-N-66](#) [GDLX-S-66](#) [GDLX-S-88K](#) [GDLX-SMT-S-88](#) [GDTX-S-88-50](#) [GDX-PA-1010](#) [GLX-N-1010M-BLK](#) [GLX-S-88M-BLK](#) [GMX-N-1010](#) [GMX-S-1010](#) [GMX-S-66](#) [GMX-SMT4-N-88](#) [GPX-2-64](#) [GSGX-N-2-88](#) [GSGX-N-4-88](#) [GSX-NS2-88-3.05](#) [GSX-NS2-88-3.05-50](#) [GSX-NS-88-3.05-50](#) [PT-108A-8C-UL](#) [PT-J951-8C](#) [PTS-J531-8CS-50UL](#) [1-1775629-2](#) [A-2014-0-4](#) [GWLX-S-88-GR](#) [GWLX-S9-88-YG](#) [DC-1021-8-WH-6](#) [1300530003](#) [1324640-4](#) [RJ11FTVC2G](#) [RJ11FTVC2N](#) [RJFTVX2SA1G](#) [132764-001](#) [1413235](#) [MP88X-1000](#) [MPS88RX-5000](#) [E5288-S000K3-L](#) [E5908-15A242-L](#)