

LDX-D20

Active ORing Controller

LDX-D20 is a Universal Active ORing Controller used for redundant connection of two DIN rail DC power supplies of same rating, with any voltage in the range 12 – 85 VDC and Load Current \leq 20 A.



Key Features & Benefits

- Ultra Compact Redundancy Module
- Wide input voltage range: 12 – 85 VDC (on a single model)
- Out: 20 A Max
- Extremely low loss up to 99% efficiency
- Pluggable connectors
- Hot pluggable
- Up to 70°C operating temperature with no derating



bel POWER SOLUTIONS & PROTECTION

a bel group

belpowersolutions.com

1. TECHNICAL SPECIFICATIONS

PARAMETER	DESCRIPTION / CONDITION	SPECIFICATION	
Input DC Voltage Range		12 - 85 VDC	
Maximum Input Current		20 A	
Output DC Voltage Range		12 - 85 VDC	
Maximum Continuous Output Current		20 A	
Peak Output Current		> 100 A	
Conduction Resistance		< 9 mΩ	
Maximum Dissipated Power		< 4 W	
No Load Input Power		< 0.2 W	
Status Signals	IN1 OK green LED IN2 OK green LED Redundancy IN1OK & IN2OK simultaneously Dry contact (1 A / 30 V)		
Input Protection	Overvoltage Reverse polarity connection	≥ 100 V	
Operating Temperature	No derating	- 40°C to 70°C	
Storage Temperature		- 40°C to +80°C	
Humidity	Non-condensing	5 - 95% r.H.	
Overvoltage Category		III	
Pollution Degree		2 (IEC664-1)	
Insulation Enclosure To Live Parts		0.75 kVDC	
Safety Standards	UL508 (reference) EN60950 (reference)		
EMC	Emission	EN55022:2010 (CISPR22)	Class A
		EN55011:2009 /A1:2010	Class A
	Immunity	EN61000-4-2:2008	Level 3
		EN61000-4-3:2006 /A2:2010	Level 3
		EN61000-4-4:2012	Level 3
		EN61000-4-5:2014	Level 1
	EN61000-4-11:2004 /A1:2010	Level 2	
Protection Degree	EN60529:1989 /A:2013	IP20	
Vibration Sinusoidal	IEC 60068-2-6:2007	5-17.8 Hz: ±1.6 mm; 17.8-500 Hz: 2g 2 Hours / axis (X,Y,Z)	
Shock	IEC 60068-2-27:2008	30 g 6 ms, 20g 11ms; 3 bumps / direction, 18 bumps total	

NOTES:

- Technical parameters are typical, measured in laboratory environment at 25°C and 240 VDC.
- Power rating, losses, efficiency, ripple, thermal behaviour and start-up may change outside of the nominal rated input range. Contact factory for details.
- Data may change without prior notice in order to improve the product.

2. MECHANICAL SPECIFICATIONS

PARAMETER	DESCRIPTION / CONDITION	SPECIFICATION
Weight		250 g
Dimensions		35 x 103 x 104 mm
Mounting Rail		IEC 60715/H15/TH35-7.5(-15)
IN / OUT Connectors	Pluggable screw type (24 – 12 AWG), 6 poles	2.5 mm ²
Dry Contact Connector	Pluggable screw type (24 – 12 AWG), 2 poles	2.5 mm ²
Case Material	Aluminum	

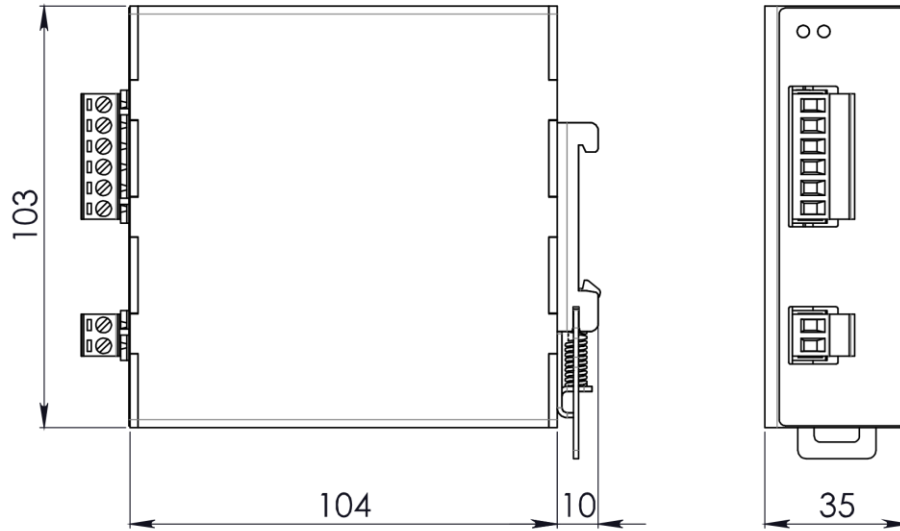


Figure 1. Mechanical Drawing

3. PIN LAYOUT & DESCRIPTION



- | INPUT CONNECTION | |
|-------------------|---|
| • | IN1 (+/-) = connect DC (+/-) power supply |
| • | IN2 (+/-) = connect DC (+/-) power supply |
| OUTPUT CONNECTION | |
| • | OUT (+/-) = connect DC (+/-) Load |
| • | Dry contact = NC |

For more information on these products consult: tech.support@psbel.com

NUCLEAR AND MEDICAL APPLICATIONS - Products are not designed or intended for use as critical components in life support systems, equipment used in hazardous environments, or nuclear control systems.

TECHNICAL REVISIONS - The appearance of products, including safety agency certifications pictured on labels, may change depending on the date manufactured. Specifications are subject to change without notice.



Asia-Pacific
+86 755 298 85888

Europe, Middle East
+353 61 225 977

North America
+1 408 785 5200

X-ON Electronics

Largest Supplier of Electrical and Electronic Components

Click to view similar products for [Isolated DC/DC Converters](#) category:

Click to view products by [Bel Fuse](#) manufacturer:

Other Similar products are found below :

[ESM6D044440C05AAQ](#) [FMD15.24G](#) [PSL486-7LR](#) [Q48T30020-NBB0](#) [JAHW100Y1](#) [SPB05C-12](#) [SQ24S15033-PS0S](#) [18952](#) [19-130041](#)
[CE-1003](#) [CE-1004](#) [GQ2541-7R](#) [RDS180245](#) [MAU228](#) [J80-0041NL](#) [DFC15U48D15](#) [XGS-0512](#) [XGS-1205](#) [XGS-1212](#) [XGS-2412](#) [XGS-2415](#) [XKS-1215](#) [06322](#) [NCT1000N040R050B](#) [SPB05B-15](#) [SPB05C-15](#) [L-DA20](#) [DCG40-5G](#) [QME48T40033-PGB0](#) [XKS-2415](#) [XKS-2412](#)
[XKS-1212](#) [XKS-1205](#) [XKS-0515](#) [XKS-0505](#) [XGS-2405](#) [XGS-1215](#) [XGS-0515](#) [PS9Z-6RM4](#) [73-551-5038I](#) [AK1601-9RT](#) [VI-N61-CM](#) [VI-R5022-EXWW](#) [PSC128-7iR](#) [RPS8-350ATX-XE](#) [DAS1004812](#) [PQA30-D24-S24-DH](#) [VI-M5F-CQ](#) [VI-LN2-EW](#) [VI-PJW01-CZY](#)