

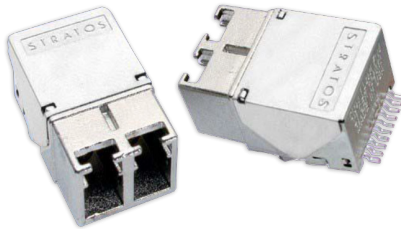
LxLx-ST11xx Low Profile Optical Transceiver

1x/2x Fiber Channel Applications 3.3V, 850nm VCSEL,
Multimode, Up to 500 Meters

Applications

The LxLx-ST11xx multimode optical fiber transceivers provide low profile, cost effective solutions for rate agile 1x/2x Fiber Channel multimode optical fiber data links with a duplex LC connector interface.

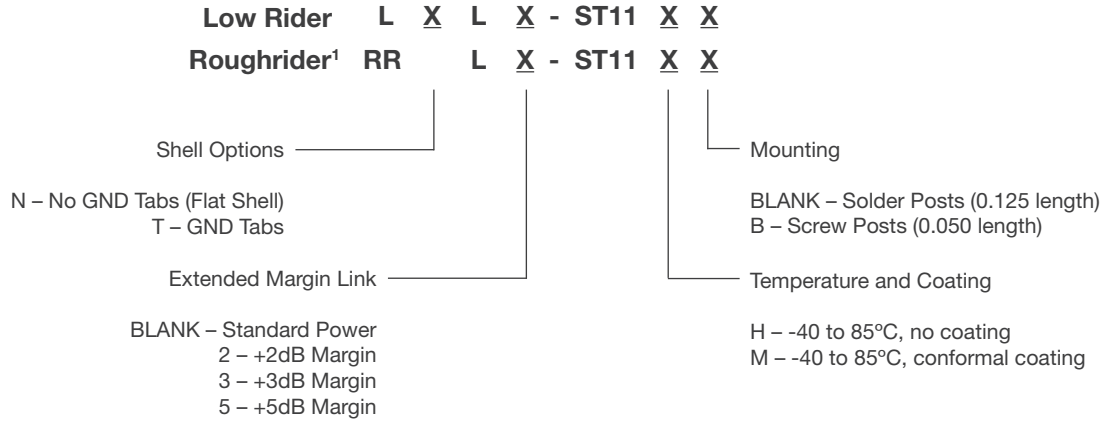
These transceivers are fully compliant with the ANSI Fiber Channel standards but can be used for any other data communications purpose within their operating parameters.



Features

- Low Profile Design - 0.386 inches max. height
- Surface mount I/O pins for high speed signal integrity
- All metal body, solder or screw mount options
- Industrial Temp Range, Vibration tolerant design
- RX data squelch on Signal Detect deassert
- Individual (separate) +3.3 V power supply per port
- Industry standard duplex multimode LC receptacle
- Compliant with ANSI Fiber Channel FC-PI / PH2
- EN-60825 / IEC-825 / CDRH Class 1 Compliant
- Optional Parylene C Conformal Coating
- High Power Options available
- Optional addition of fiber pigtail

Ordering Information



Transmitters: VCCTX = 3.135V to 3.465V, T_A = Operating Temperature Range

Parameter	Symbol	MIN	Typical	MAX	Unit
Optical Output Power^{1,2} LxL-ST11xx LxL2-ST11xx (+2dB Margin) LxL3-ST11xx (+3dB Margin) LxL5-ST11xx (+5dB Margin)	P _o	-10.0 -8.0 -7.0 -5.0		-1.5 -1.5 -1.5 -1.5	dBm
Extinction Ratio	ER		9		dB
Optical Modulation Amplitude (p-p) 2.125 GigaBaud 1.0625 GigaBaud	OMA	196 156			μW μW
Total Jitter¹	T _j			85	ps

1. Assuming an Extinction Ratio of 9 dB

2. BER=10⁻¹² @ 2.125 GigaBaud, PRBS = 2⁷-1, NRZ, Compliant with FC-PI-2.

Receivers: VCCR_X = 3.135V to 3.465V, T_A = Operating Temperature Range

Parameter	Symbol	MIN	Typical	MAX	Unit
Optical Sensitivity ¹ 2.125 GigaBaud ² 1.0625 GigaBaud ³	P _i	-15.0 -17.0		0 0	dBm dBm
Optical Modulation Amplitude 2.125 GigaBaud 1.0625 GigaBaud	OMA	49 31			μW μW
Stressed Receiver Sensitivity (OMA) 2.125 GigaBaud 50/125 μm MMF 62.5/125 μm MMF 1.0625 GigaBaud 50/125 μm MMF 62.5/125 μm MMF		96 109 55 67			μW μW μW μW

1. Assuming an Extinction Ratio of 9 dB

2. BER=10⁻¹² @ 2.125 GigaBaud, PRBS = 2⁷-1, NRZ, Compliant with FC-PI-2.

3. BER=10⁻¹² @ 1.0625 GigaBaud, PRBS = 2⁷-1, NRZ, Compliant with FC-PH.

Link Distances

Fiber Specification	Application	Distance
62.5/125 (200MHz*Km)	2x Fiber Channel – ANSI X3.297 FC-PI	150M
	1x Fiber Channel – ANSI X3.297 FC-PH-2	300M
50/125 (500MHz*Km)	2x Fiber Channel – ANSI X3.297 FC-PI	300M
	1x Fiber Channel – ANSI X3.297 FC-PH-2	500M

For more information on this product consult the LxLx-ST11xx product data sheet.

X-ON Electronics

Largest Supplier of Electrical and Electronic Components

Click to view similar products for [Fibre Optic Transmitters, Receivers, Transceivers](#) category:

Click to view products by [Bel Fuse](#) manufacturer:

Other Similar products are found below :

[STV.2413-574-00262](#) [TRPRG1VA1C000E2G](#) [TOTX1350\(V,F\)](#) [FTLX3813M349](#) [SCN-1428SC](#) [LTK-ST11MB](#) [HFD8003-002/XBA](#)
[HFD3020-500-ABA](#) [FTLF1429P3BCVA](#) [S6846](#) [SCN-2638SC](#) [FTL410QE4N](#) [FTLC9555FEPM](#) [TQS-QG4H9-J83](#) [SCN-1570SC](#) [SCN-](#)
[1601SC](#) [SCN-1338SC](#) [SFPPT-SR3-01](#) [HFD8003-500-XBA](#) [SCN-1383SC](#) [2333569-1](#) [LNK-ST11HB-R6](#) [FTL4C1QL3L](#) [FTL4C1QE3L](#)
[FTL4C1QL3C](#) [SPTSHP3PMCDF](#) [SPTSBP4LLCDF](#) [SPTMBP1PMCDF](#) [SPTSHP2PMCDF](#) [SF-NLNAMB0001](#) [SPTSHP2SLCDF](#)
[SPTSQP4LLCDF](#) [1019682](#) [1019683](#) [1019705](#) [HFBR-1415Z](#) [AFBR-5803ATQZ](#) [AFBR-5803ATZ](#) [PLR135/T9](#) [TGW-Q14BB-FCQ](#) [AFBR-](#)
[5803AZ](#) [TQS-Q1LH8-XCA03](#) [TQS-Q1LH8-XCA05](#) [TQS-Q1LH8-XCA10](#) [TQS-Q1LH9-2CA](#) [HFBR-1414Z](#) [HFBR-1527Z](#) [HFBR-1528Z](#)
[HFBR-2406Z](#) [HFBR-2505AZ](#)