

LPTC-V Series

Toroidal Common Mode Chokes

The LPTC-V product Series are the continued expansion in the toroidal family of common mode chokes offered by Signal Transformer. These toroidal coils offer a wide variety of performance characteristics, designed around a UL94V-0 plastic cased ferrite core. All models are useful in various noise countermeasure applications such as power supplies, home appliances, IoT and AV equipment.

The LPTC-V Series of two-line common mode chokes are ideal for suppression of conductive EMI emissions as commonly found in many electronic circuit designs and offer a wide operating range of -55 °C to +125 °C. Custom versions are available upon request.



General Features

- Low DCR
- Wide range of inductance and current
- High impedance at low frequency
- Vertical design (no base)
- High temperature Operation
- Single layer wound coils
- Reach and RoHS compliant

Specifications

- 2 line common mode choke
- 0.51 to 25.5 mH Inductance range
- Current range 1 to 5 A
- Dielectric strength 2 kVrms
- Coil wound on UL94V-0 rated plastic cap
- Operating temperature -55 °C to +125 °C

Applications

- Power supplies
- Home appliances/IoT
- Audio-visual equipment

DIMENSIONS & ELECTRICAL CHARACTERISTICS

Electrical specifications for all part numbers measured at 25°C unless otherwise stated. Dimensions are in mm.

Signal Part Number	Inductance (mH) @ 1 kHz	Current (A)	DCR (mΩ)	Max Diameter (A)	Max Width (B)	Max Height (C)	Leads Length (± 1) (D)	Lead Thickness (± 0.1) (E)	Max Tinning Height (F)
LPTC-V-0.51-1-40	0.51	1	40	18	13	17	12.7	0.4	1.5
LPTC-V-0.85-1-60	0.85	1	60	18	13	17	12.7	0.4	1.5
LPTC-V-1.7-1-70	1.70	1	70	18	13	17	12.7	0.4	1.5
LPTC-V-2.55-1-100	2.55	1	100	18	13	17	12.7	0.4	1.5
LPTC-V-4.25-1-150	4.25	1	150	18	13	17	12.7	0.4	1.5
LPTC-V-0.51-2-30	0.51	2	30	18	13	17	12.7	0.5	1.5
LPTC-V-0.85-2-40	0.85	2	40	18	13	17	12.7	0.5	1.5
LPTC-V-1.7-2-60	1.70	2	60	18	13	17	12.7	0.5	1.5
LPTC-V-2.55-2-75	2.55	2	75	18	13	17	12.7	0.5	1.5
LPTC-V-0.51-3-20	0.51	3	20	18	13	17	12.7	0.65	1.5
LPTC-V-0.85-3-30	0.85	3	30	18	13	17	12.7	0.65	1.5
LPTC-V-0.85-2-50	0.85	2	50	22	13	21	12.7	0.5	1.5
LPTC-V-1.7-2-75	1.70	2	75	22	13	21	12.7	0.5	1.5
LPTC-V-2.55-2-85	2.55	2	85	22	13	21	12.7	0.5	1.5
LPTC-V-4.25-2-110	4.25	2	110	22	13	21	12.7	0.5	1.5
LPTC-V-6.8-2-200	6.80	2	200	22	13	21	12.7	0.5	1.5
LPTC-V-0.85-5-35	0.85	5	35	22	13	21	12.7	0.8	1.5
LPTC-V-42.5-2-200	42.2	2	200	32	21	31	12.7	0.6	1.5
LPTC-V-4.25-4-46	4.25	4	46	32	21	31	12.7	0.7	1.5
LPTC-V-6.8-4-60	6.80	4	60	32	21	31	12.7	0.7	1.5
LPTC-V-25.5-4-130	25.5	4	130	32	21	31	12.7	0.7	1.5
LPTC-V-1.7-5-40	1.70	5	40	32	21	31	12.7	0.9	1.5
LPTC-V-9.35-5-72	9.35	5	72	32	21	31	12.7	0.9	1.5
LPTC-V-2.55-10-20	2.55	10	20	32	21	31	12.7	1.17	1.5

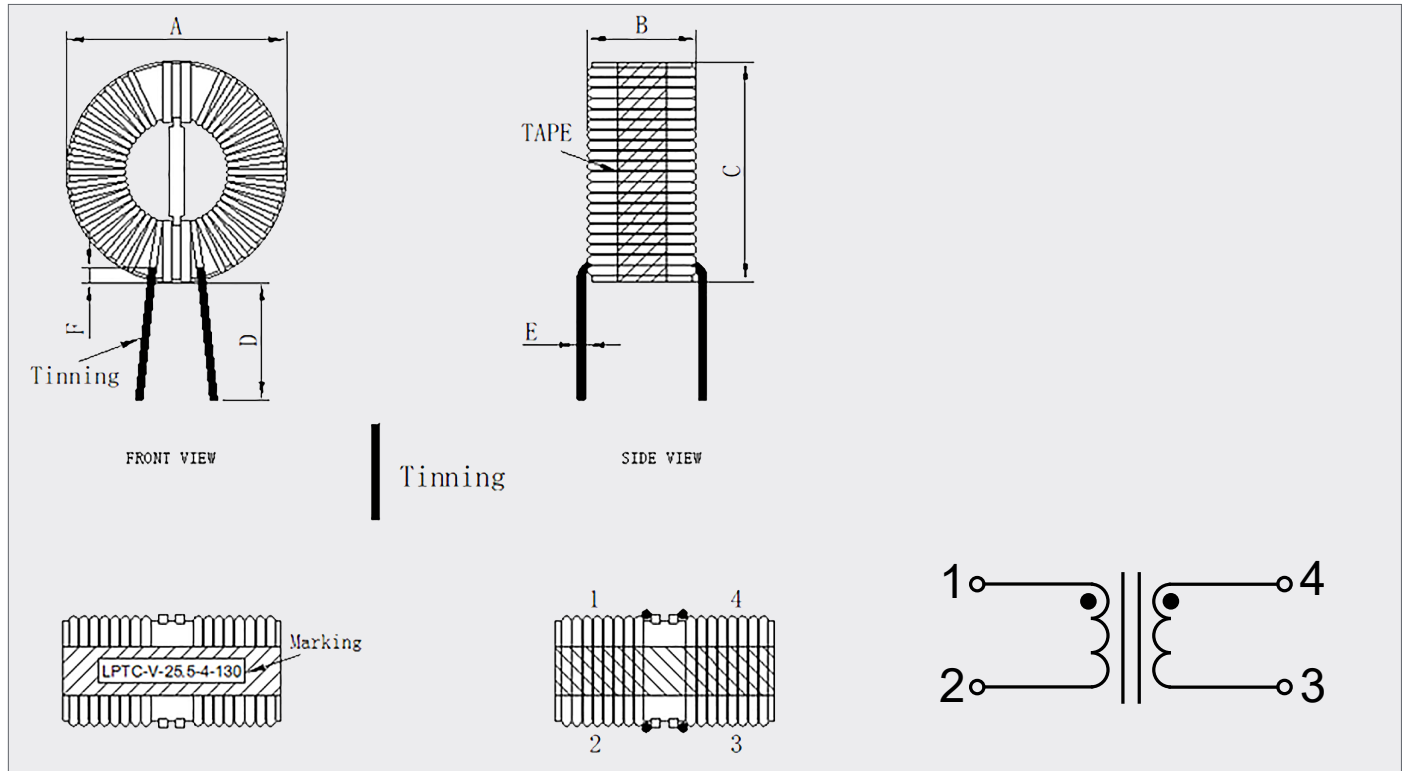
Custom versions available upon request.



128 Atlantic Avenue, Lynbrook, NY 11563
 Toll Free 866-239-5777 | Tel 516-239-5777 | Fax 516-239-7208
 sales@signaltransformer.com | techhelp@signaltransformer.com

belfuse.com/signal

MECHANICAL SPECIFICATIONS



PRODUCT IDENTIFICATION

LPTC - V - 4.25 - 1 - 150
 (1) (2) (3) (4) (5)

- (1) LPTC = Series
- (2) V = Vertical mount
- (3) 4.25 = Inductance value
- (4) 1 = Current rating
- (5) 150 = DCR, mΩ

Custom versions available upon request.



128 Atlantic Avenue, Lynbrook, NY 11563
 Toll Free 866-239-5777 | Tel 516-239-5777 | Fax 516-239-7208
 sales@signaltransformer.com | techhelp@signaltransformer.com

belfuse.com/signal

PACKAGING INFORMATION

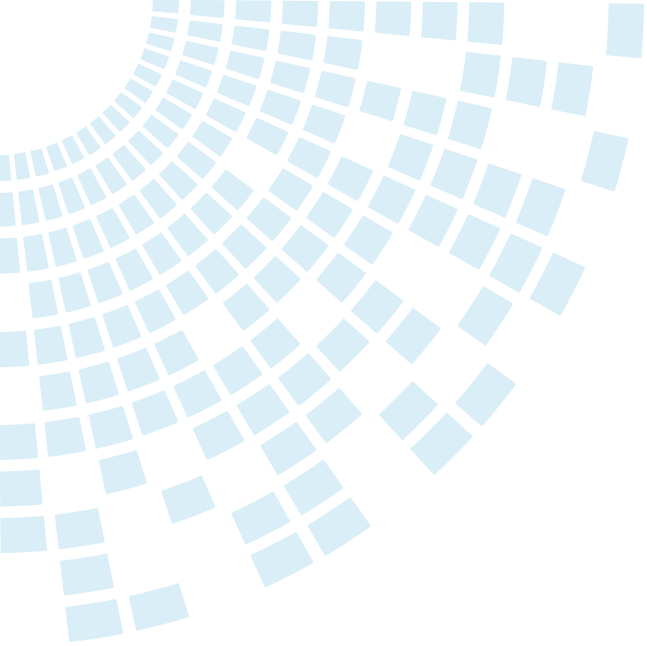
Signal Part Number	Qty per Plastic Tray	Pcs per Carton	Carton Dimensions (mm)	Total Carton Weight (lbs / kg)
LPTC-V-0.51-1-40				
LPTC-V-0.85-1-60				
LPTC-V-1.7-1-70				
LPTC-V-2.55-1-100				
LPTC-V-4.25-1-150				
LPTC-V-0.51-2-30	120	1560	350 x 350 x 250	19 / 9
LPTC-V-0.85-2-40				
LPTC-V-1.7-2-60				
LPTC-V-2.55-2-75				
LPTC-V-0.51-3-20				
LPTC-V-0.85-3-30				
LPTC-V-0.85-2-50				
LPTC-V-1.7-2-75				
LPTC-V-2.55-2-85	100	1300	350 x 350 x 250	29 / 13
LPTC-V-4.25-2-110				
LPTC-V-6.8-2-200				
LPTC-V-0.85-5-35				
LPTC-V-42.5-2-200				
LPTC-V-4.25-4-46				
LPTC-V-6.8-4-60				
LPTC-V-25.5-4-130	49	294	350 x 350 x 250	27 / 12
LPTC-V-1.7-5-40				
LPTC-V-9.35-5-72				
LPTC-V-2.55-10-20				

Custom versions available upon request.



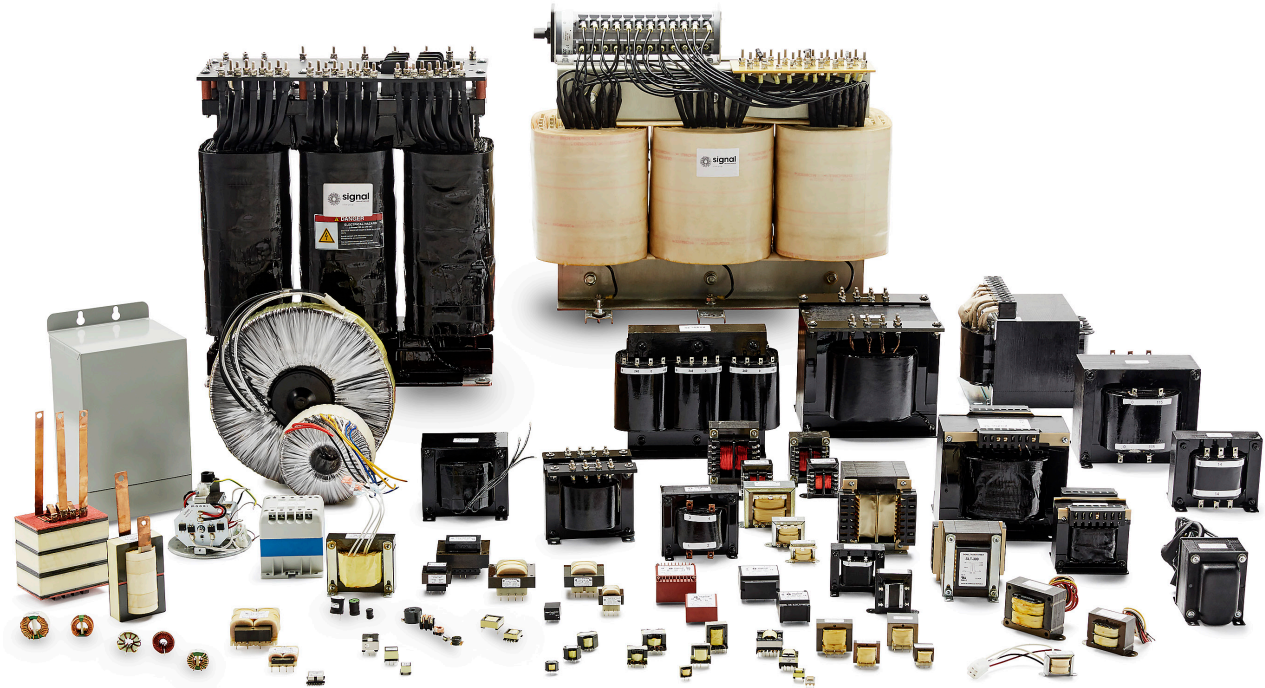
128 Atlantic Avenue, Lynbrook, NY 11563
 Toll Free 866-239-5777 | Tel 516-239-5777 | Fax 516-239-7208
 sales@signaltransformer.com | techhelp@signaltransformer.com

belfuse.com/signal



About Signal Transformer

Signal Transformer is known as the world's leader of wire wound magnetic solutions since 1959. With over 50 years of experience manufacturing transformers, chokes, inductors and custom or modified standard products. Signal offers not only the most comprehensive line of certified standard power conversion products, with our vast engineering, manufacturing and regulatory resources; Signal Transformer excels in the design and manufacturer of cost effective, specialized platforms.



**For more information,
please contact us:**

128 Atlantic Avenue
Lynbrook, NY 11563

Toll Free +1 866-239-5777

Tel +1 516-239-5777

Fax +1 516-239-7208

sales@signaltransformer.com
techhelp@signaltransformer.com



[belfuse.com/signal](https://www.belfuse.com/signal)

X-ON Electronics

Largest Supplier of Electrical and Electronic Components

Click to view similar products for [Common Mode Chokes / Filters](#) category:

Click to view products by [Bel Fuse](#) manufacturer:

Other Similar products are found below :

[74279408](#) [PE-62911NL](#) [PE-64683](#) [ST6118T-R](#) [T8114NLT](#) [RD5122-10-6M0](#) [TCM0806G-350-2P-T](#) [TCM0806G-650-2P-T](#) [IND-0110](#)
[UAL21V07012500](#) [UAL21VR0802000](#) [UAL24VR06500CH](#) [UALSC023000000](#) [UALSC1020JH000](#) [UALSC1520JH000](#)
[UALSU16VD30030](#) [UALSU16VD40010](#) [UALSU9H0305000](#) [UALSU9HF060300](#) [UALSU9VD070100](#) [36-00037](#) [5701610000](#)
[UALW21HS072450](#) [UALSU9VD070400](#) [UALSU9HF050500](#) [UALSU9H0208000](#) [UALSCF25081300](#) [UAL24VK06450CH](#)
[PLT10HH501100PNB](#) [PLT10HH401100PNB](#) [PLT10HH1026R0PNB](#) [PE-67531](#) [EXC-X4CH120X](#) [TLH10UB 113 0R5](#) [2752041447](#)
[2752045447](#) [CMS3-11-R](#) [7351V](#) [CMF16-153131](#) [744252510](#) [T8116NLT](#) [FE2X10-4-2NL](#) [744253200](#) [744253101](#) [744252220](#) [TX8111NLT](#)
[UAL30VR3500470](#) [CTX01-19077-R](#) [T8003NLT](#) [CTX01-13663](#)