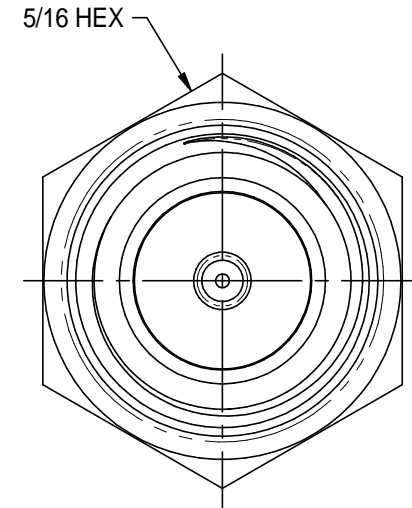
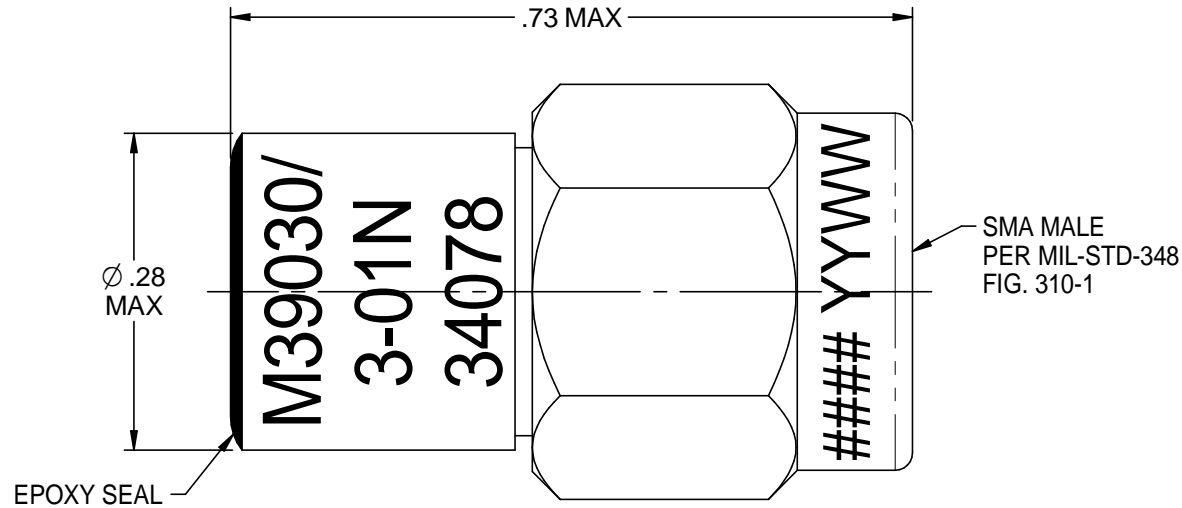
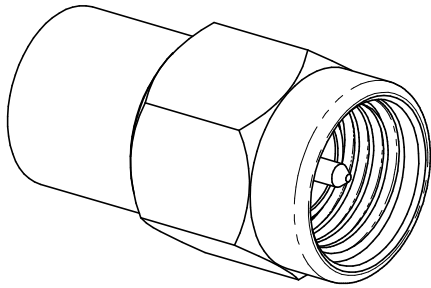


REV	ECO	DATE
F1	ADD TB	7/7/2005
F2	23000	12/9/2010
G	25324	5/1/2015



M39030/3-01N SHOWN

NOTES: UNLESS OTHERWISE SPECIFIED.

1. MATERIAL & FINISH:

- 1.1 BODY: GOLD PLATED STAINLESS STEEL
- 1.2 DIELECTRIC: PTFE (TEFLON)
- 1.3 CENTER CONTACT: GOLD PLATED BERYLLIUM COPPER
- 1.4 GASKET: SILICONE RUBBER

2. SPECIFICATIONS:

- 2.1 FREQUENCY RANGE: DC - 18 GHz
- 2.2 IMPEDANCE: 50 OHMS
- 2.3 VSWR (MAX): 1.05+0.01f (GHz)
- 2.4 POWER HANDLING CAPABILITY:
 - 2.4.1 AVERAGE: 0.5 WATTS MAX AT 25°C DERATED LINEARLY TO 0.125 WATTS AT 125°C
 - 2.4.2 PEAK: 50 WATTS WITH A 1% DUTY CYCLE
- 2.5 OPERATING TEMPERATURE RANGE: -55°C TO 125°C
- 2.6 WEIGHT (MAX): .25 oz

<p>This PROPRIETARY Document is property of Cinch Connectivity Solutions. It is confidential in nature, non-transferable, and issued with the clear understanding that it is not to be traced or copied without permission and is returnable upon demand.</p> <p>INTERPRET DRAWING IN ACCORDANCE WITH ASME Y14.5-2009.</p>	Model No. M39030/3-01(N OR S)	MIDWEST MICROWAVE				
	RoHS2 <input checked="" type="checkbox"/> 2011/65/EU	Cage Code 34078	Title: QPL TERMINATION			
	UNLESS OTHERWISE SPECIFIED UNITS: INCH	3RD ANGLE PROJECTION 	Drawing No. M39030/3-01(N OR S)-01	Rev. G		
	.XX ±.02 .XXX ±.005 ANGLES ±2°	Drawn by: C. WALLACE	Date: 5/7/2015	Size A	DO NOT SCALE DRAWING	Workmanship Std: NONE

X-ON Electronics

Largest Supplier of Electrical and Electronic Components

Click to view similar products for [RF Terminators](#) category:

Click to view products by [Bel Fuse](#) manufacturer:

Other Similar products are found below :

[M390303-02N](#) [M39030/3-04S](#) [M39030/3-09S](#) [M39030/3-11N](#) [TNG1-9-78-D3](#) [TNA2-50](#) [TNG1-6-78](#) [TNH1-1-50](#) [TNGFL1-1-78](#)
[R4042N5000](#) [53S1RR-001N3](#) [142275](#) [56S1RR-001N4](#) [65_BNC-50-0-7/133_NE](#) [71S1RR-001N4](#) [02S17R-001D3](#) [R404240120](#) [R404260000](#)
[HT-10-2](#) [FL LCX 50-OHM-RSMA](#) [M39030/3-04N](#) [TNA1-6-50](#) [131-3801-811](#) [TNA1-1-50](#) [65_N-50-0-51/113_NE](#) [65_BNC-50-0-2/133_NE](#)
[65_N-50-0-1/133_NE](#) [65002_N-50-1/122_NE](#) [65_MMCX-50-0-31/111_OE](#) [18K15R-0.5E3](#) [2702702](#) [TRM-2161-M0-35M-02](#) [53S17R-](#)
[001N3](#) [1100.19.0001](#) [6701.01.B](#) [18S24H-40ML5](#) [TRM-2053-M0-NNN-02](#) [R404759000](#) [M39030/6-02N](#) [TRM-2080-M0-NNN-07](#) [TRM-](#)
[2053-MC-NNN-02](#) [M39030/3-03S](#) [SF8012-6009](#) [6701.01.A](#) [65_MCX-50-0-4/111_NE](#) [65_716-50-0-2/003_-E](#) [65_SMB-50-0-1/111_NE](#)
[M39030/3-12N](#) [82-5722-RFX](#) [8018-6174](#)