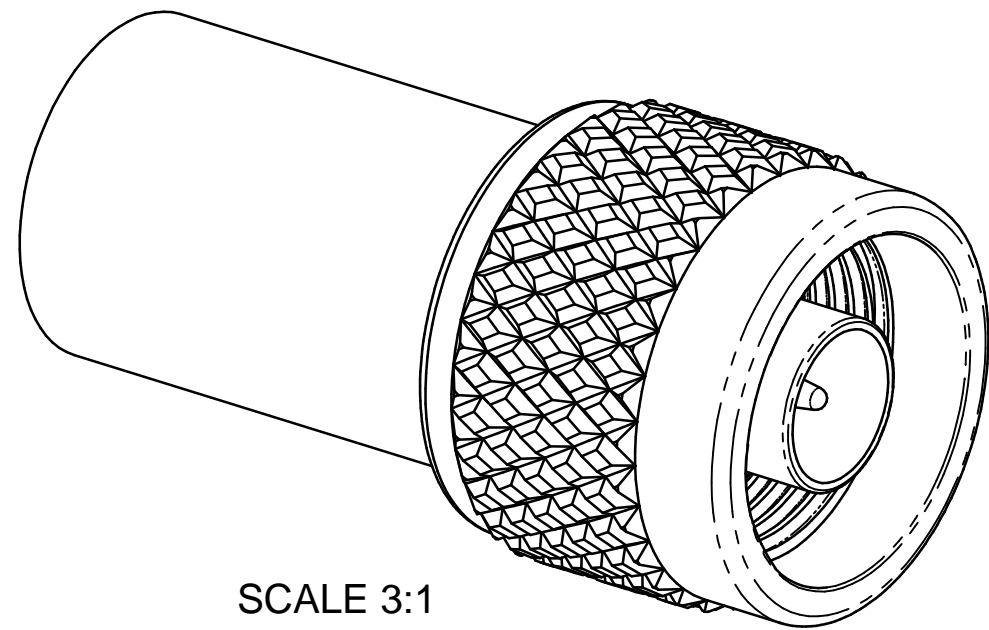
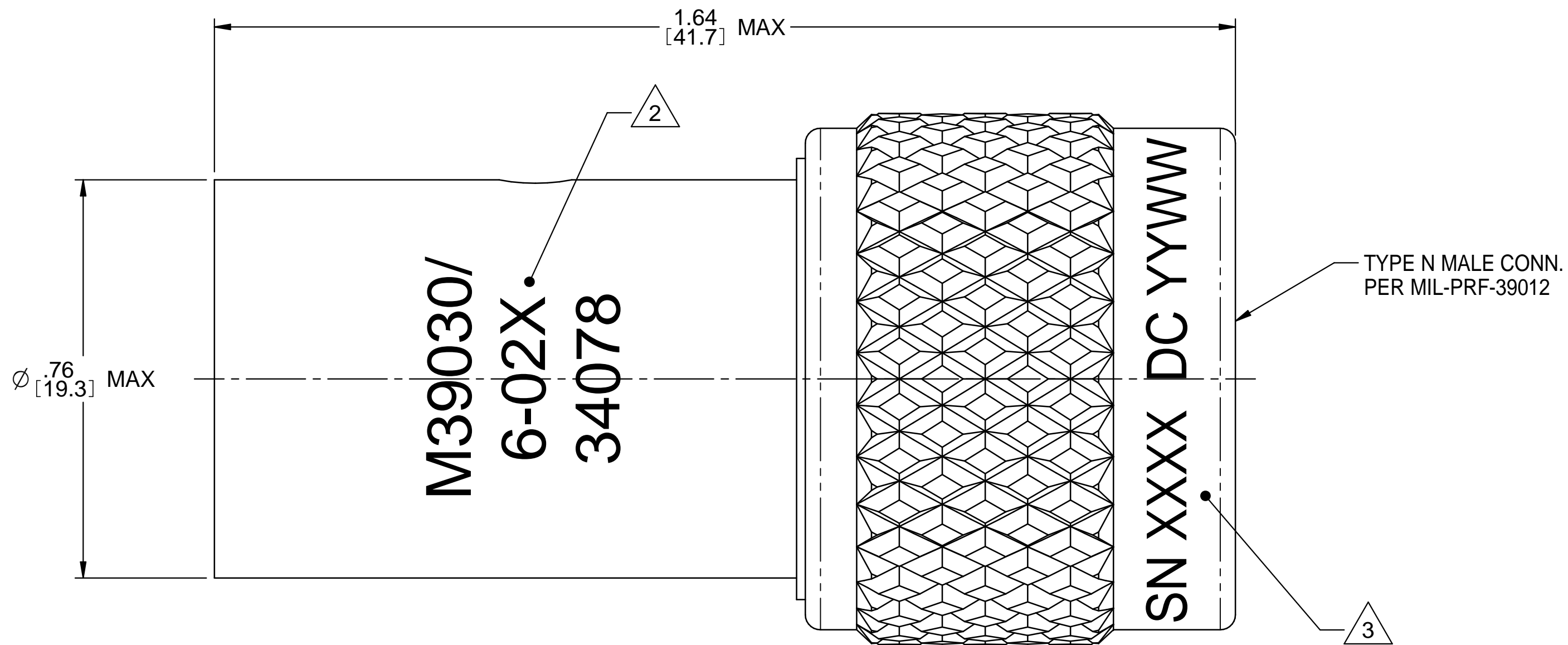


ZONE	REV	ECO	DESCRIPTION	APPR.	DATE
	A	15080			2/14/96
	A1		ADD TITLEBLOCK		7/7/05
	D	24435		PAK	10/18/12



SCALE 3:1



TYPE N MALE CONN.  
PER MIL-PRF-39012

NOTES: UNLESS OTHERWISE SPECIFIED.

1. SPECIFICATIONS:
  - 1.1 FREQUENCY RANGE: DC TO 12.4 GHz
  - 1.2 VSWR: 1.35:1 MAX
  - 1.3 POWER HANDLING: 1 WATTS AVG., 1.0 KILOWATT PEAK.  
DERATED LINEARLY FROM 100% AT 25C TO 10% AT  
SPECIFIED MAXIMUM AMBIENT OPERATING  
TEMPERATURE.
  - 1.4 OPERATING TEMP. RANGE: -55°C TO +125°C
  - 1.5 MAXIMUM WEIGHT: 3 OZ (85 GRAMS)

2. MARK UNIT AS SHOWN.

3. MARK COUPLING NUT AS SHOWN:  
SN XXXX = 4 DIGIT SERIAL NO  
DC YYWW = YEAR & WEEK DATE CODE

4. DIMENSIONS IN BRACKETS ARE MILLIMETERS.

OUTLINE DRAWING

	Model No. <b>M39030/6-02(N OR S)</b>		<b>MIDWEST MICROWAVE</b>		
	Cage Code <b>34078</b>		Title <b>TERMINATION</b>	Material	
<small>This PROPRIETARY Document is property of Emerson Network Power Connectivity Solutions. It is confidential in nature, non-transferable, and issued with the clear understanding that it is not traced or copied without permission and is returnable upon demand.</small>	<small>UNLESS OTHERWISE SPECIFIED</small> UNITS: INCHES .XX ±.01 .XXX ±.003 .XXXX ±.0010 ANGLES ±1°00'		3RD ANGLE PROJECTION 		Drawing No. <b>M39030/6-02(N OR S)-01</b>
	Drawn by <b>CWW</b>	Date <b>10/30/12</b>	Rev. <b>D</b>	Finish	
Approved by <b>PAK</b>	Date <b>10/31/12</b>	Size <b>C</b>	DO NOT SCALE DRAWING	Scale 6:1	Sheet 1 of 1

## X-ON Electronics

Largest Supplier of Electrical and Electronic Components

*Click to view similar products for [RF Terminators](#) category:*

*Click to view products by [Bel Fuse](#) manufacturer:*

Other Similar products are found below :

[M390303-02N](#) [M39030/3-04S](#) [M39030/3-09S](#) [M39030/3-11N](#) [TNG1-9-78-D3](#) [TNA2-50](#) [TNG1-6-78](#) [TNH1-1-50](#) [TNGFL1-1-78](#)  
[R4042N5000](#) [53S1RR-001N3](#) [142275](#) [56S1RR-001N4](#) [65\\_BNC-50-0-7/133\\_NE](#) [71S1RR-001N4](#) [02S17R-001D3](#) [R404240120](#) [R404260000](#)  
[HT-10-2](#) [FL LCX 50-OHM-RSMA](#) [M39030/3-04N](#) [TNA1-6-50](#) [131-3801-811](#) [TNA1-1-50](#) [65\\_N-50-0-51/113\\_NE](#) [65\\_BNC-50-0-2/133\\_NE](#)  
[65\\_N-50-0-1/133\\_NE](#) [65002\\_N-50-1/122\\_NE](#) [65\\_MMCX-50-0-31/111\\_OE](#) [18K15R-0.5E3](#) [2702702](#) [TRM-2161-M0-35M-02](#) [53S17R-](#)  
[001N3](#) [1100.19.0001](#) [6701.01.B](#) [18S24H-40ML5](#) [TRM-2053-M0-NNN-02](#) [R404759000](#) [M39030/6-02N](#) [TRM-2053-MC-NNN-02](#)  
[M39030/3-03S](#) [SF8012-6009](#) [6701.01.A](#) [65\\_MCX-50-0-4/111\\_NE](#) [65\\_716-50-0-2/003\\_-E](#) [65\\_SMB-50-0-1/111\\_NE](#) [M39030/3-12N](#) [82-](#)  
[5722-RFX](#) [8018-6174](#) [SF8018-6005](#)