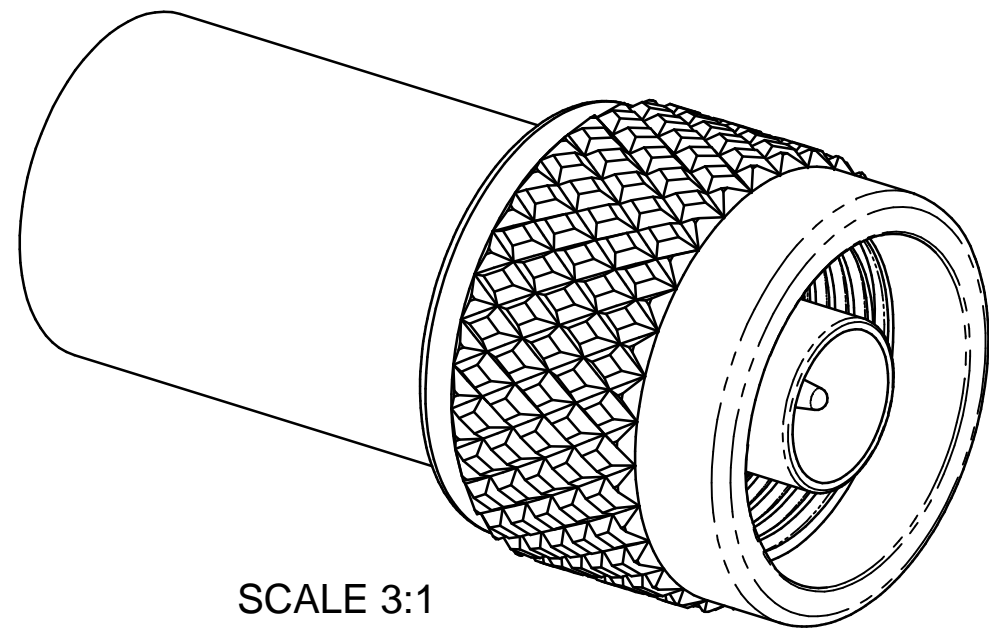
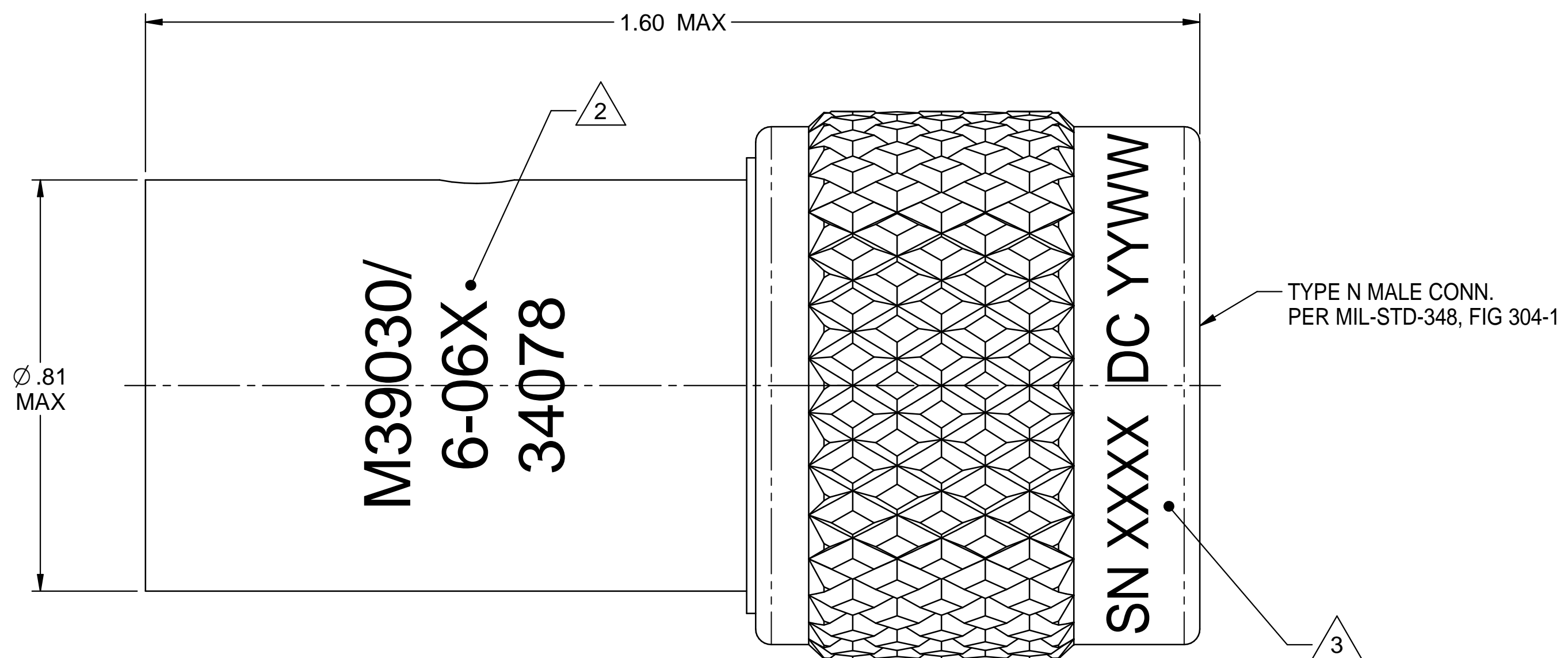


REV	ECO	DATE
K	23250	2/1/11
L	24368	10/18/12
M	25413	8/11/15



SCALE 3:1



NOTES: UNLESS OTHERWISE SPECIFIED.

1. SPECIFICATIONS:
- 1.1 FREQUENCY RANGE: DC TO 18.0 GHz
 - 1.2 VSWR: 1.05 +.007 F (GHz) MAX.
 - 1.3 POWER HANDLING: 2 WATTS AVG. DERATED TO 10% AT +125°C, 1.0 KILOWATT PEAK.
 - 1.4 OPERATING TEMP. RANGE: -55°C TO +125°C
 - 1.5 MAXIMUM WEIGHT: 3 OZ (85 GRAMS)

2. MARK UNIT AS SHOWN.

3. MARK COUPLING NUT AS SHOWN:
 SN XXXX = 4 DIGIT SERIAL NO
 DC YYWW = YEAR & WEEK DATE CODE

OUTLINE DRAWING

	Model No. M39030/6-06(N OR S)		MIDWEST MICROWAVE		
	Cage Code 34078		Title TERMINATION	Material	
<small>This PROPRIETARY Document is property of Emerson Network Power Connectivity Solutions. It is confidential in nature, non-transferable, and issued with the clear understanding that it is not traced or copied without permission and is returnable upon demand.</small>	<small>UNLESS OTHERWISE SPECIFIED</small> UNITS: INCHES .XX ±.01 .XXX ±.003 .XXXX ±.0010 ANGLES ±1°00'		<small>3RD ANGLE PROJECTION</small> 		
	Drawn by CWW	Date 8/14/15	Drawing No. M39030/6-06(N OR S)-01	Rev. M	Finish
	Approved by PAK	Date 8/17/15	Size C	DO NOT SCALE DRAWING	Scale 6:1
			Sheet 1 of 1		

X-ON Electronics

Largest Supplier of Electrical and Electronic Components

Click to view similar products for [RF Terminators](#) category:

Click to view products by [Bel Fuse](#) manufacturer:

Other Similar products are found below :

[M390303-02N](#) [M39030/3-04S](#) [M39030/3-09S](#) [M39030/3-11N](#) [TNG1-9-78-D3](#) [TNA2-50](#) [TNG1-6-78](#) [TNH1-1-50](#) [TNGFL1-1-78](#)
[R4042N5000](#) [53S1RR-001N3](#) [142275](#) [56S1RR-001N4](#) [65_BNC-50-0-7/133_NE](#) [71S1RR-001N4](#) [02S17R-001D3](#) [R404240120](#) [R404260000](#)
[HT-10-2](#) [FL LCX 50-OHM-RSMA](#) [M39030/3-04N](#) [TNA1-6-50](#) [131-3801-811](#) [TNA1-1-50](#) [65_N-50-0-51/113_NE](#) [65_BNC-50-0-2/133_NE](#)
[65_N-50-0-1/133_NE](#) [65002_N-50-1/122_NE](#) [65_MMCX-50-0-31/111_OE](#) [18K15R-0.5E3](#) [2702702](#) [TRM-2161-M0-35M-02](#) [53S17R-](#)
[001N3](#) [1100.19.0001](#) [6701.01.B](#) [18S24H-40ML5](#) [TRM-2053-M0-NNN-02](#) [R404759000](#) [M39030/6-02N](#) [TRM-2080-M0-NNN-07](#) [TRM-](#)
[2053-MC-NNN-02](#) [M39030/3-03S](#) [SF8012-6009](#) [6701.01.A](#) [65_MCX-50-0-4/111_NE](#) [65_716-50-0-2/003_-E](#) [65_SMB-50-0-1/111_NE](#)
[M39030/3-12N](#) [82-5722-RFX](#) [8018-6174](#)