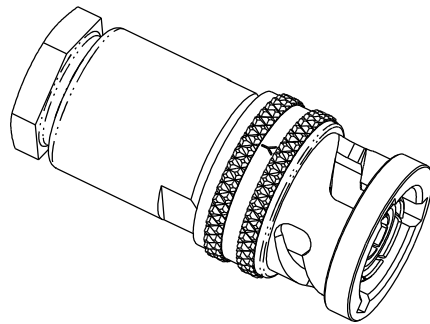
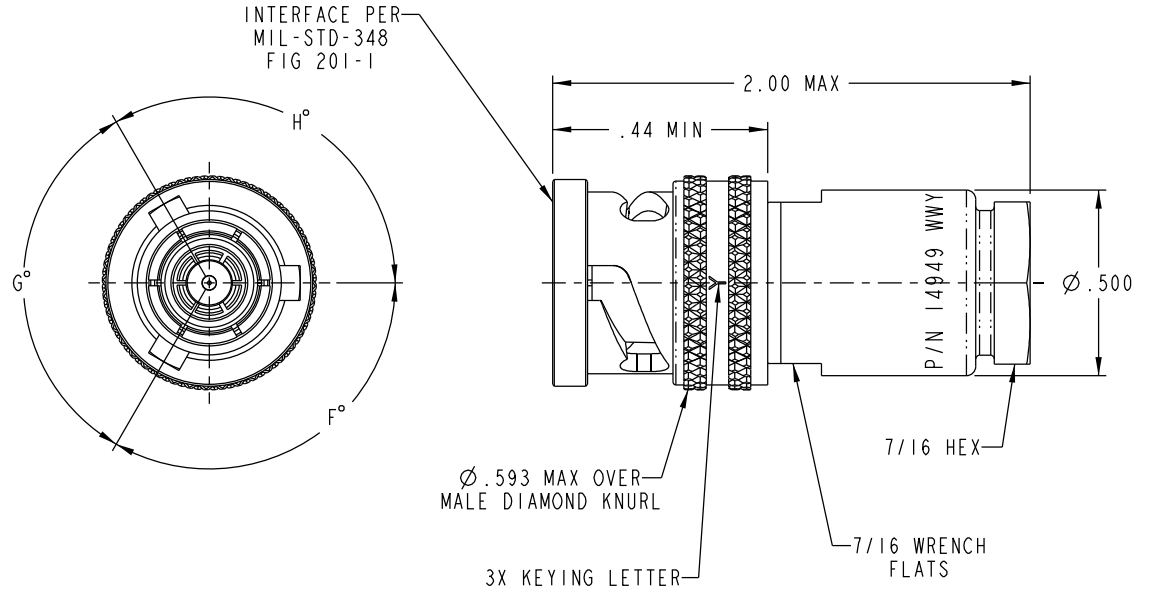


TABLE 1						
MILITARY PART NUMBER	MILITARY CABLE NUMBER	TEI DASH #	KEYING LETTER	ASSEMBLE PER	CABLE TYPE	NSN #
M49142/03-0001	M17/134-00001 M17/134-00003	7	NONE	TAI-189	TRIAx	5935011636242
M49142/03-0101	M17/134-00001 M17/134-00003	7	Y	TAI-189	TRIAx	---
M49142/03-0201	M17/134-00001 M17/134-00003	7	S	TAI-189	TRIAx	---
M49142/03-0002	M17/134-00002 M17/134-00004	7	NONE	TAI-189	TRIAx	5935014397867
M49142/03-0102	M17/134-00002 M17/134-00004	7	Y	TAI-189	TRIAx	---
M49142/03-0202	M17/134-00002 M17/134-00004	7	S	TAI-189	TRIAx	---
M49142/03-0005	M17/116-RG307	41A	NONE	TAI-250	TRIAx	5935014238648
M49142/03-0105	M17/116-RG307	41A	Y	TAI-250	TRIAx	---
M49142/03-0205	M17/116-RG307	41A	S	TAI-250	TRIAx	---
M49142/03-0007	M17/45-RG108 M17/186-00008	9	NONE	TAI-102	TWINAX	5935013358935
M49142/03-0107	M17/45-RG108 M17/186-00008	9	Y	TAI-102	TWINAX	---
M49142/03-0207	M17/45-RG108 M17/186-00008	9	S	TAI-102	TWINAX	---
M49142/03-0008	M17/176-00002	47	NONE	TAI-102	TWINAX	5935013783905
M49142/03-0108	M17/176-00002	47	Y	TAI-102	TWINAX	5935014277109
M49142/03-0208	M17/176-00002	47	S	TAI-102	TWINAX	---
M49142/03-0009	M17/177-00001	60	NONE	TAI-189	TRIAx	5935014675369
M49142/03-0109	M17/177-00001	60	Y	TAI-189	TRIAx	5935014675370
M49142/03-0209	M17/177-00001	60	S	TAI-189	TRIAx	---


TABLE 2			
KEYING LETTER	F°	G°	H°
NONE	120	120	120
Y	110	140	110
S	135	135	90

REVISIONS			
REV	DESCRIPTIONS	DATE	APPROVED
BU	ECO 54729	9/25/13	C. MONAHAN

DATA CONTAINED IN THIS DOCUMENT IS PROPRIETARY TO CINCH CONNECTIVITY SOLUTIONS AND SHALL NOT BE DISCLOSED, COPIED OR USED FOR PROMOTION OR MANUFACTURE WITHOUT EXPRESS WRITTEN PERMISSION



NOTES: UNLESS OTHERWISE SPECIFIED.

INTERPRET DRAWING PER MIL-STD-100 DIMENSIONS ARE IN INCHES AND INCLUDE FINISH THICKNESS UNLESS OTHERWISE SPECIFIED.		TOL: UNLESS SPECIFIED .XX ± .02 .XXX ± .010 .XXXX ± .001 ANGLE ± 1° 00'		 cinch CONNECTIVITY SOLUTIONS 13 EMPLOYEE	
DRN C. WALLACE	9/25/13	MATERIAL:		TITLE: M49142/03 WRENCH CRIMP PLUG	
CHK C. MONAHAN	10/14/14	FINISH:		SIZE B	CAGE CODE 14949
QUALITY		APPROVED		DRAWING NO. 310-0083	REV. BU
MANUF		PROF FILE NO. 310-0083		SCALE 3/1	DATE
SURFACE AREA		DO NOT SCALE DWG		SHEET 1	OF 2

X-ON Electronics

Largest Supplier of Electrical and Electronic Components

Click to view similar products for [RF Connectors / Coaxial Connectors](#) category:

Click to view products by [Bel Fuse](#) manufacturer:

Other Similar products are found below :

[8915-1511-000](#) [89674-0827](#) [6001-7071-019](#) [6002-7051-003](#) [6002-7551-202](#) [6059674-1](#) [619550-1](#) [630059-000](#) [M39030/3-01N](#) [6500-7071-046](#) [6769](#) [CX050L2AQ](#) [7002-1541-010](#) [7002-1542-011](#) [7004-1512-000](#) [7009-1511-004](#) [7010-1511-000](#) [7029-1511-060](#) [7101-1541-010](#) [7101-1571-002](#) [7145-1521-002](#) [7203-1571-003](#) [7209-1511-011](#) [7210-1511-015](#) [7210-1511-019](#) [73137-5015](#) [73216-2241](#) [73404-2300](#) [7405-1521-005](#) [7405-1521-802](#) [8527](#) [8547](#) [FS11V](#) [877931](#) [9049-9513-000](#) [9074-9513-000](#) [9101-9573-002](#) [910A205F](#) [9130-9573-002](#) [PL11SC-026](#) [PL375-33](#) [PL40-5](#) [PL74C-221](#) [PL75MC-217](#) [PL803-7](#) [980-8666-005](#) [1200690078](#) [1-201144-1](#) [R107003010W](#) [R110A172100](#)