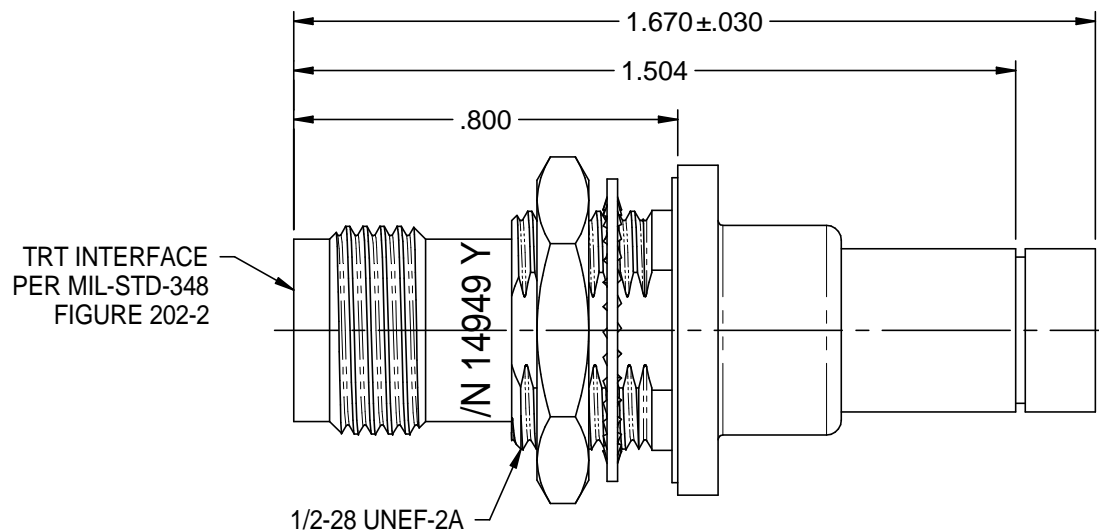
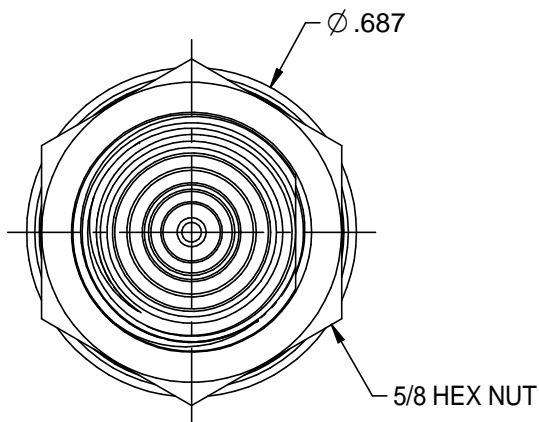
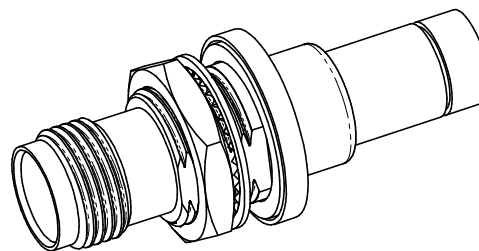


TABLE 1				
MILITARY PART NO.	MILITARY CABLE NO.	NSN	TROMPETER MODEL NO.	ASSEMBLE PER
M49142/09-0016	M17/45-RG108	-	3-0341-1	TAI-206
M49142/09-0017	M17/176-00002	5935015084556	3-0341-2	

REV	ECO	DATE
B	55164	9/5/2014



3-0341-1 SHOWN

NOTES: UNLESS OTHERWISE SPECIFIED.

1. MATERIAL & FINISH:

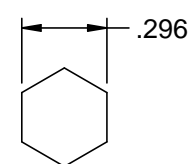
- 1.1 BODY, CRIMP FERRULE, CRIMP SLEEVE & INSERT: SILVER PLATED BRASS
- 1.2 INSULATOR: PTFE (TEFLON)
- 1.3 INTERMEDIATE CONTACT: GOLD PLATED BRASS
- 1.4 DIELECTRIC: PTFE (TEFLON)
- 1.5 CENTER CONTACT: GOLD PLATED BERYLLIUM COPPER
- 1.6 GASKET: SILICONE RUBBER
- 1.7 MOUNTING HARDWARE: SILVER PLATED BRASS ALLOY

2. ELECTRICAL:

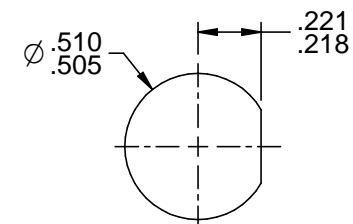
- 2.1 FREQUENCY (MAX): 500 MHz
- 2.2 IMPEDANCE: NON-CONSISTENT

3. PANEL THICKNESS (MAX): .109

4. PANEL NUT TORQUE (MAX): 35 IN LBS



**RECOMMENDED
HEX CRIMP**



**RECOMMENDED
PANEL CUTOUT**

<p>This PROPRIETARY Document is property of Cinch Connectivity Solutions. It is confidential in nature, non-transferable, and issued with the clear understanding that it is not to be copied without permission and is returnable upon demand.</p> <p>INTERPRET DRAWING IN ACCORDANCE WITH ASME Y14.5-2009.</p>	Model No.	3-0341-X		TROMPETER				
	RoHS2	<input checked="" type="checkbox"/>	Cage Code			14949		
	2011/65/EU	UNLESS OTHERWISE SPECIFIED: UNITS: INCH	3RD ANGLE PROJECTION			Title:	M49142/09 TOOL CRIMP TRT JACK	
	.XX ± .02 .XXX ± .005 ANGLES ± 2°	Drawn by:	C. WALLACE		Drawing No.	C_3-0341	Rev.	B
	Date:	9/10/2014		Size	A	DO NOT SCALE DRAWING	Workmanship Std: TFS-4	Sheet 1 of 1

X-ON Electronics

Largest Supplier of Electrical and Electronic Components

Click to view similar products for [RF Connectors / Coaxial Connectors](#) category:

Click to view products by [Bel Fuse](#) manufacturer:

Other Similar products are found below :

[8915-1511-000](#) [89674-0827](#) [6001-7071-019](#) [6002-7051-003](#) [6002-7551-202](#) [6059674-1](#) [619550-1](#) [630059-000](#) [M39030/3-01N](#) [6500-7071-046](#) [6769](#) [CX050L2AQ](#) [7002-1541-010](#) [7002-1542-011](#) [7004-1512-000](#) [7009-1511-004](#) [7010-1511-000](#) [7029-1511-060](#) [7101-1541-010](#) [7101-1571-002](#) [7145-1521-002](#) [7203-1571-003](#) [7209-1511-011](#) [7210-1511-015](#) [7210-1511-019](#) [73137-5015](#) [73216-2241](#) [73404-2300](#) [7405-1521-005](#) [7405-1521-802](#) [8527](#) [8547](#) [FS11V](#) [877931](#) [9049-9513-000](#) [9074-9513-000](#) [9101-9573-002](#) [910A205F](#) [9130-9573-002](#) [PL11SC-026](#) [PL375-33](#) [PL40-5](#) [PL74C-221](#) [PL75MC-217](#) [PL803-7](#) [980-8666-005](#) [1200690078](#) [1-201144-1](#) [R107003010W](#) [R110A172100](#)