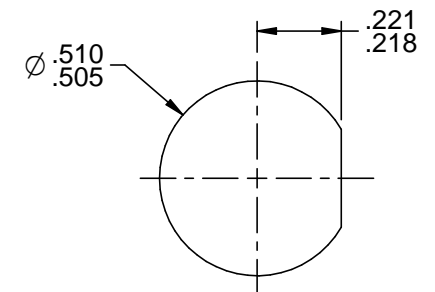
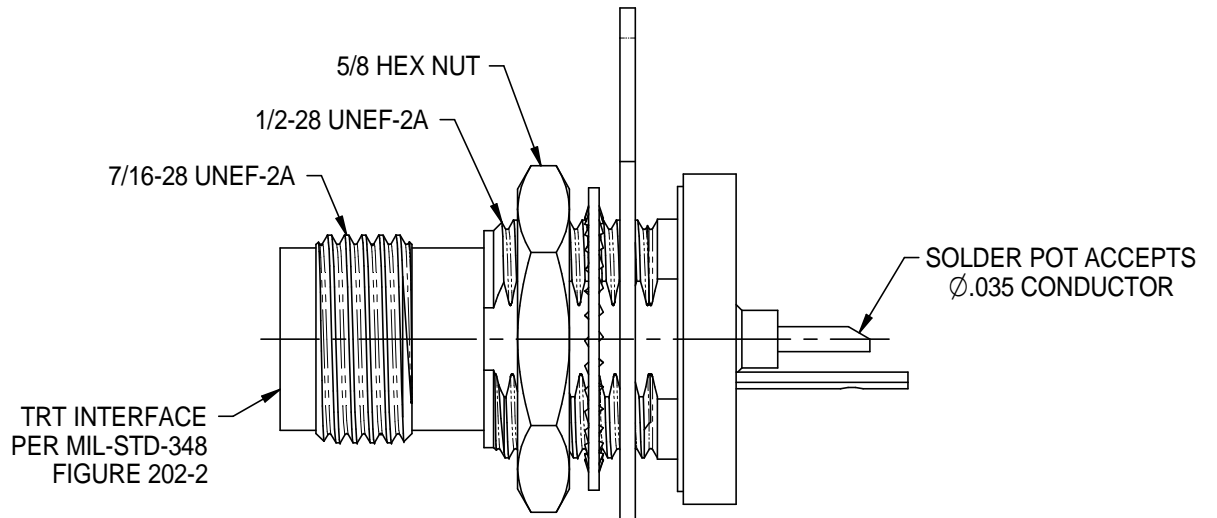
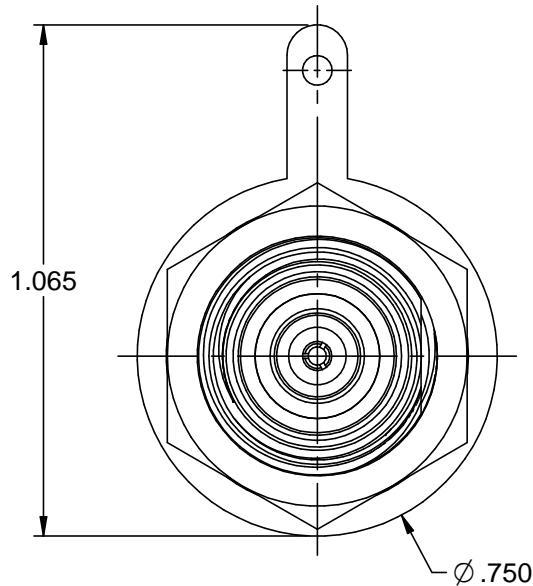
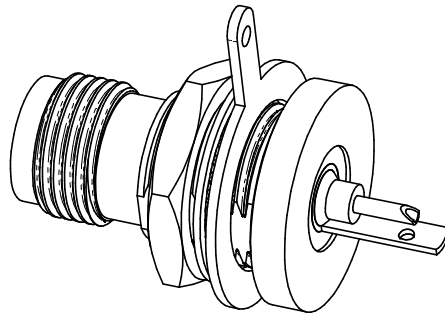


TABLE 1

MILITARY PART NO.	TROMPETER MODEL NO.	NSN
M42142/10-0001	3-0334	5935013794391

REV	ECO	DATE
J	52839	12/28/2010
K	55161	9/5/2014



**RECOMMENDED  
PANEL CUTOUT**

NOTES: UNLESS OTHERWISE SPECIFIED.

1. MATERIAL & FINISH:
  - 1.1 BODY: SILVER PLATED BRASS
  - 1.2 INSULATOR: PTFE (TEFLON)
  - 1.3 INTERMEDIATE CONTACT: GOLD PLATED BRASS
  - 1.4 DIELECTRIC: PTFE (TEFLON)
  - 1.5 CENTER CONTACT: GOLD PLATED BERYLLIUM COPPER
  - 1.6 GASKET: SILICONE RUBBER
  - 1.7 MOUNTING HARDWARE: SILVER PLATED BRASS ALLOY
2. ELECTRICAL:
  - 2.1 FREQUENCY (MAX): 500 MHz
  - 2.2 IMPEDANCE: NON-CONSISTENT
3. PANEL THICKNESS (MAX):
4. PANEL NUT TORQUE (MAX): 35 IN LBS

<p><b>EMERSON</b> Network Power Connectivity Solutions</p> <p><small>This PROPRIETARY Document is property of Emerson Network Power Connectivity Solutions. It is confidential in nature, non-transferable, and issued with the clear understanding that it is not traced or copied without permission and is returnable upon demand.</small></p> <p><small>INTERPRET DRAWING IN ACCORDANCE WITH ASME Y14.5-2009.</small></p>	Model No.	<b>3-0334</b>	<b>TROMPETER</b>							
	RoHS2	<input checked="" type="checkbox"/>				Cage Code	<b>14949</b>	Title:	<b>M49142/10-0001 SOLDER POT BULKHEAD TRT JACK</b>	
	2011/65/EU	UNLESS OTHERWISE SPECIFIED UNITS: INCH	3RD ANGLE PROJECTION		Drawing No.	<b>3-0334</b>	Rev.	<b>K</b>		
	.XX ±.02 .XXX ±.005 ANGLES ±2°	Drawn by:	<b>C. WALLACE</b>	Date:	<b>9/8/2014</b>	Size	<b>A</b>	DO NOT SCALE DRAWING	Workmanship Std:	<b>TFS-4</b>

## **X-ON Electronics**

Largest Supplier of Electrical and Electronic Components

*Click to view similar products for [RF Connectors / Coaxial Connectors](#) category:*

*Click to view products by [Bel Fuse](#) manufacturer:*

Other Similar products are found below :

[8915-1511-000](#) [89674-0827](#) [6001-7071-019](#) [6002-7051-003](#) [6002-7551-202](#) [6059674-1](#) [619550-1](#) [630059-000](#) [M39030/3-01N](#) [6500-7071-046](#) [6769](#) [CX050L2AQ](#) [7002-1541-010](#) [7002-1542-011](#) [7004-1512-000](#) [7009-1511-004](#) [7010-1511-000](#) [7029-1511-060](#) [7101-1541-010](#) [7101-1571-002](#) [7145-1521-002](#) [7203-1571-003](#) [7209-1511-011](#) [7210-1511-015](#) [7210-1511-019](#) [73137-5015](#) [73216-2241](#) [73404-2300](#) [7405-1521-005](#) [7405-1521-802](#) [8527](#) [8547](#) [FS11V](#) [877931](#) [8808-1511-001](#) [9049-9513-000](#) [9074-9513-000](#) [9101-9573-002](#) [910A205F](#) [9130-9573-002](#) [PL11SC-026](#) [PL375-33](#) [PL40-5](#) [PL74C-221](#) [PL75MC-217](#) [PL803-7](#) [1200690078](#) [1-201144-1](#) [R107003010W](#) [R110A172100](#)