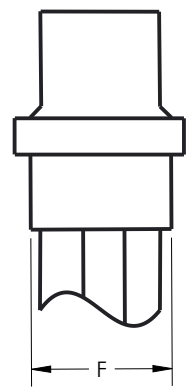
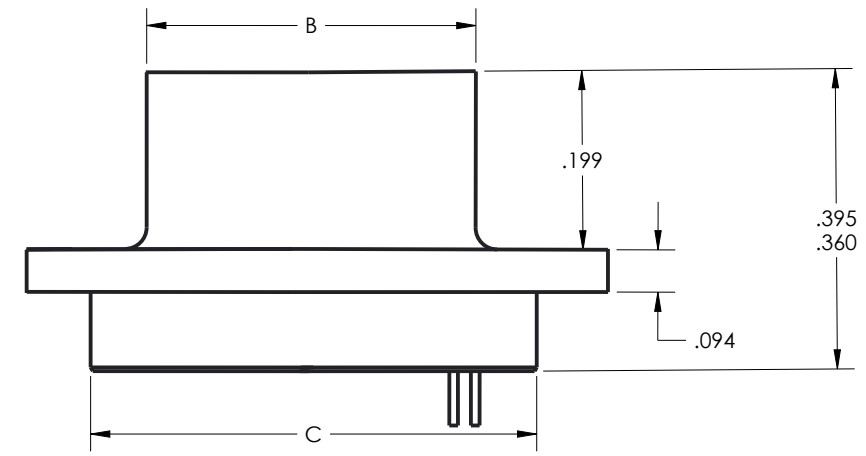
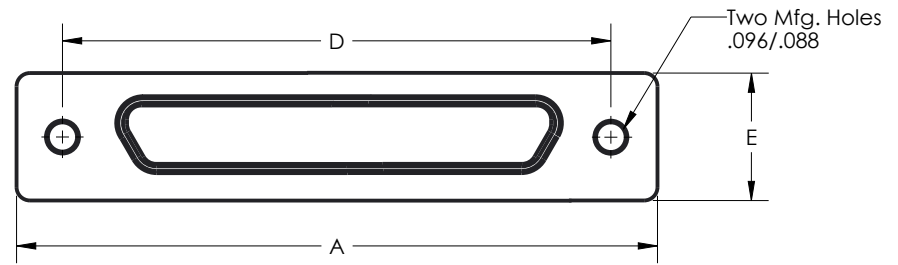
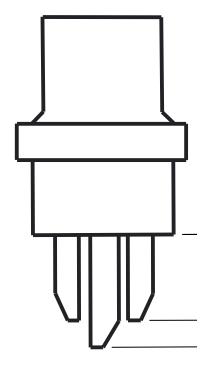


# Plug

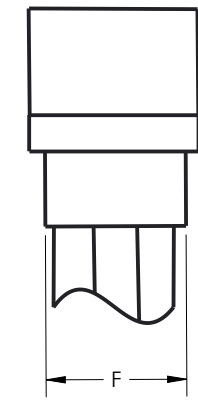
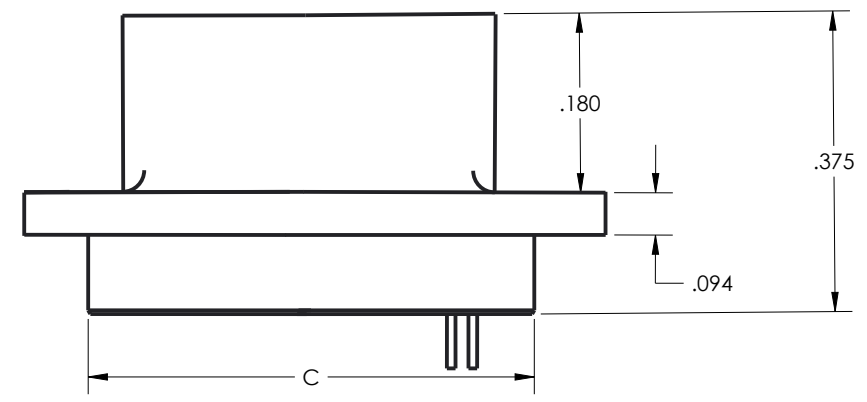
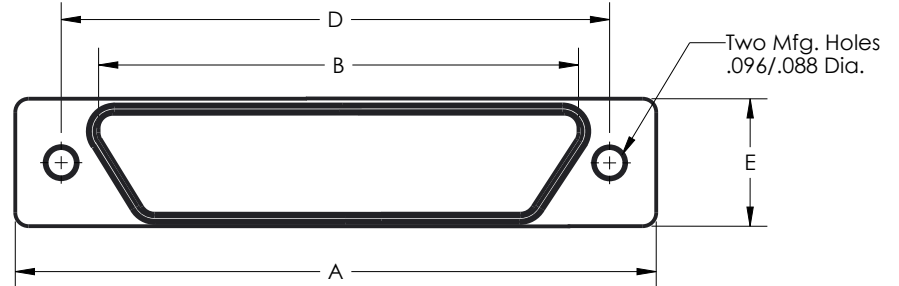


Wire Terminated

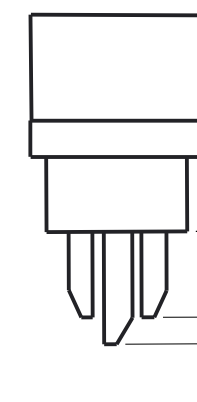


Solder Cup

# Socket



Wire Terminated



Solder Cup

NO. OF CONTACTS	A ± .010"	B MAX. (Plug) Min. (Socket)	C ±.010" Min. -.018"	D ±.005"	E ± .010"	F Max.
9 Plug	.778	.292	.398	.565	.208	.173
9 Socket	.778	.292	.398	.565	.208	.173
15 Plug	.928	.442	.548	.715	.208	.173
15 Socket	.928	.442	.548	.715	.208	.173
21 Plug	1.078	.592	.698	.865	.208	.173
21 Socket	1.078	.592	.698	.865	.208	.173
25 Plug	1.178	.692	.798	.965	.208	.173
25 Socket	1.178	.692	.798	.965	.208	.173
31 Plug	1.328	.842	.948	1.115	.208	.173
31 Socket	1.328	.842	.948	1.115	.208	.173
37 Plug	1.478	.992	1.098	1.265	.208	.173
37 Socket	1.478	.992	1.098	1.265	.208	.173
51 Plug	1.428	.942	1.048	1.215	.250	.220
51 Socket	1.428	.942	1.048	1.215	.250	.220

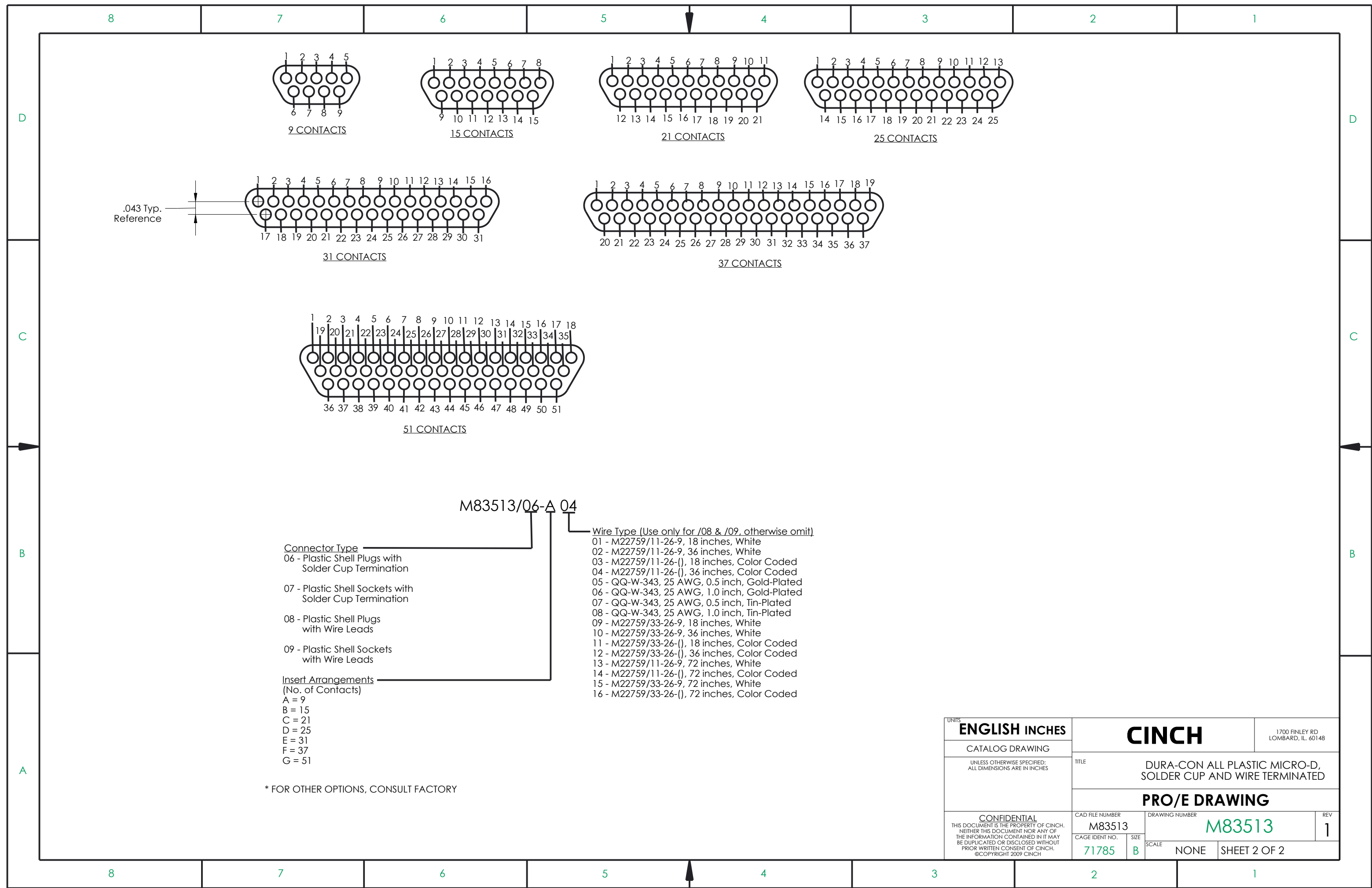
## DRAWING REVISIONS (RELEASE DATE ON FILE)

REV	DOCUMENT	APP	APPROVAL DATE
1	CCSXXXXX	JW	ON FILE

UNITS <b>ENGLISH INCHES</b>	DESIGN ENGINEER <b>J. WARRAICH</b>	DATE <b>3/14/22</b>	TITLE <b>DURA-CON ALL PLASTIC MICRO-D, SOLDER CUP AND WIRE TERMINATED</b>
CATALOG DRAWING UNLESS OTHERWISE SPECIFIED: ALL DIMENSIONS ARE IN INCHES		PRO/E APPROVALS ON FILE	MATERIAL CONTROL SPEC NUMBER MATERIAL SPEC NUMBER FINISH PROJECT NUMBER
CONFIDENTIAL THIS DOCUMENT IS THE PROPERTY OF CINCH. NEITHER THIS DOCUMENT NOR ANY OF THE INFORMATION CONTAINED IN IT MAY BE DUPLICATED OR DISCLOSED WITHOUT PRIOR WRITTEN CONSENT OF CINCH. ©COPYRIGHT 2009 CINCH		CAD FILE NUMBER <b>M83513</b>	DRAWING NUMBER <b>M83513</b>
		CAGE IDENT NO. <b>71785</b>	SIZE <b>B</b>
		SCALE NONE	SHEET 1 OF 2

MODELED BY:

1700 FINLEY RD  
LOMBARD, IL. 60148



.043 Typ.  
Reference

9 CONTACTS

15 CONTACTS

21 CONTACTS

25 CONTACTS

31 CONTACTS

37 CONTACTS

51 CONTACTS

M83513/06-A 04

- Connector Type**
- 06 - Plastic Shell Plugs with Solder Cup Termination
  - 07 - Plastic Shell Sockets with Solder Cup Termination
  - 08 - Plastic Shell Plugs with Wire Leads
  - 09 - Plastic Shell Sockets with Wire Leads

- Insert Arrangements**  
(No. of Contacts)
- A = 9
  - B = 15
  - C = 21
  - D = 25
  - E = 31
  - F = 37
  - G = 51

- Wire Type (Use only for /08 & /09, otherwise omit)**
- 01 - M22759/11-26-9, 18 inches, White
  - 02 - M22759/11-26-9, 36 inches, White
  - 03 - M22759/11-26-(), 18 inches, Color Coded
  - 04 - M22759/11-26-(), 36 inches, Color Coded
  - 05 - QQ-W-343, 25 AWG, 0.5 inch, Gold-Plated
  - 06 - QQ-W-343, 25 AWG, 1.0 inch, Gold-Plated
  - 07 - QQ-W-343, 25 AWG, 0.5 inch, Tin-Plated
  - 08 - QQ-W-343, 25 AWG, 1.0 inch, Tin-Plated
  - 09 - M22759/33-26-9, 18 inches, White
  - 10 - M22759/33-26-9, 36 inches, White
  - 11 - M22759/33-26-(), 18 inches, Color Coded
  - 12 - M22759/33-26-(), 36 inches, Color Coded
  - 13 - M22759/11-26-9, 72 inches, White
  - 14 - M22759/11-26-(), 72 inches, Color Coded
  - 15 - M22759/33-26-9, 72 inches, White
  - 16 - M22759/33-26-(), 72 inches, Color Coded

\* FOR OTHER OPTIONS, CONSULT FACTORY

UNITS <b>ENGLISH INCHES</b>		<b>CINCH</b>		1700 FINLEY RD LOMBARD, IL. 60148	
CATALOG DRAWING		TITLE DURA-CON ALL PLASTIC MICRO-D, SOLDER CUP AND WIRE TERMINATED			
UNLESS OTHERWISE SPECIFIED: ALL DIMENSIONS ARE IN INCHES		<b>PRO/E DRAWING</b>			
CONFIDENTIAL THIS DOCUMENT IS THE PROPERTY OF CINCH. NEITHER THIS DOCUMENT NOR ANY OF THE INFORMATION CONTAINED IN IT MAY BE DUPLICATED OR DISCLOSED WITHOUT PRIOR WRITTEN CONSENT OF CINCH. ©COPYRIGHT 2009 CINCH		CAD FILE NUMBER M83513	DRAWING NUMBER M83513	REV 1	
CAGE IDENT NO. 71785	SIZE B	SCALE NONE	SHEET 2 OF 2		

## X-ON Electronics

Largest Supplier of Electrical and Electronic Components

*Click to view similar products for [D-Sub MIL Spec Connectors](#) category:*

*Click to view products by [Bel Fuse](#) manufacturer:*

Other Similar products are found below :

[M85049/50-5F](#) [MDM-15PH006M7-A174](#) [MDM-15SH001M7-A174](#) [MDM-15SH003M7-A174](#) [MDM-15SH006M7-A174](#) [MDM-21PH046F](#)  
[MDM-21SH006B-A174](#) [MDM-21SH006P-A174](#) [MDM-21SH011P](#) [MDM-21SH011P-A174](#) [MDM-21SH034B-A174](#) [MDM25SL61P](#) [850-](#)  
[056-0812](#) [1218697-4](#) [DA-59-20](#) [1484349-1](#) [17D25HV](#) [1996840-1](#) [243082-15](#) [308-CP3C1001-076](#) [1757682-1](#) [17D-E51218-1](#) [17SDA15S](#)  
[1883533-1](#) [1883889-1](#) [192900-0377](#) [308-CP6P0441-024H](#) [M83513/03-E09C](#) [443961-3](#) [MDM-15PH001F](#) [MDM-15PH001P-A174](#) [MDM-](#)  
[15PH011P](#) [MDM-15PH011P-A174](#) [MDM-15SH006M7](#) [MDM-15SH011F-A174](#) [MDM-15SH011P](#) [MDM-15SH011P-A174](#) [MDM-](#)  
[21PH006M7](#) [MDM-21PH041F](#) [MDM-21PH048F](#) [MDM-21SH003K-F222](#) [MDM-21SH046B-A174](#) [MDM-25PH001M7-A174](#) [MDM-](#)  
[25SH011P](#) [MDM-9SH001F](#) [MDM-9SH006P-A174](#) [5-1218949-1](#) [550-031NF1R6K](#) [3-1236089-2](#) [550E001NF1R3J0L](#)