

# MD Connectors

## Miniature 38999 Plug & Receptacle

Cinch's MD Connectors deliver highly reliable performance equal to MIL-DTL-38999. Key Markets are military, aerospace, medical and down-hole applications. The MD is offered at a reduced size and weight.



**cinch**  
CONNECTIVITY SOLUTIONS  
a bel group

+1 630.705.6000  
inquiry@us.cinch.com  
[cinch.com](http://cinch.com)

# MD Connectors

## Products

- Miniature 38999 Plug with Solder or Crimp Contacts
- Miniature 38999 Jam Nut or Box Mount Receptacle with Solder, Crimp or PC Tail Contacts
- Standard or Specialty Platings Available

## Features

- Full Performance in Extreme Environments
- Available in Crimp, Solder and PC Tail Terminations
- Shell Styles Include Jam Nut Receptacle, Square Flange Receptacle and In-Line Plugs
- Available in 6, 7, 8, 9, 10, 13 Shell Sizes
- Contact Arrangements Range from 1 to 130 Contacts
- Standard Interface, Intermateable with Amphenol 2M Series and Glenair's Mighty Mouse® 801 Series



Plug Dimensions				
Shell Size	A Style 16 Dia.	A Style 26 Dia.	B Thread	C Dia.
9	.81 (20.57)	.92 (23.37)	.5625-.05P -1L-DS-2B	.500 (12.70)

Receptacle Dimensions									
Shell Size	D Dia.	E Flat	F Flat	K Thread	M Dia.	P Dia.	S Dia.	T Dia.	Y Flat
9	.81 (20.57)	.790 (20.07)	.0596 (15.14)	.5625-.05P -1L-2A	.551 (14.0)	.635 (13.13)	.020 (.508)	.446 (11.33)	.600 (15.24)



		MD Contacts, Tools and Sealing Plugs				MD Crimp Tools	
Contact Size	Wire Size	Pin Contacts	Contacts	Sealing Plugs	Insertion Removal Tools	Crimp Tool	Positioner
	Range	Part #	Part #	Part #	Part #	Mil Spec Part #	Mil Spec or Daniels Part #
23	#22-#28	A809-1	A809-3	None	None	M22520/1-01	K1461
23	#26-#30	A809-2	A809-4	None	None	M22520/1-01	K1461
20	#20-#24	M39029/58-363	M39029/57-357			M22520/2-01	M22520/1-04
16	#16-#20	M39029/58-364	M39029/57-358			M22520/1-01	M22520/1-04
12	#12-#14	M39029/58-365	M39029/57-359			M22520/1-01	M22520/1-04

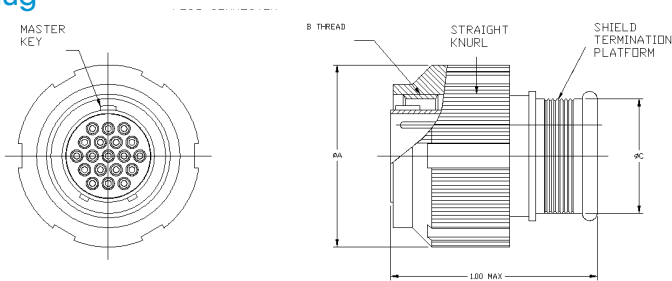
## Cross Reference

The part number construction of Cinch's MD series, always starts with the prefix MD. The syntax of the part number is the same as for the Mighty Mouse® and 2M series, and differs only by the character used to describe shell material and finish.

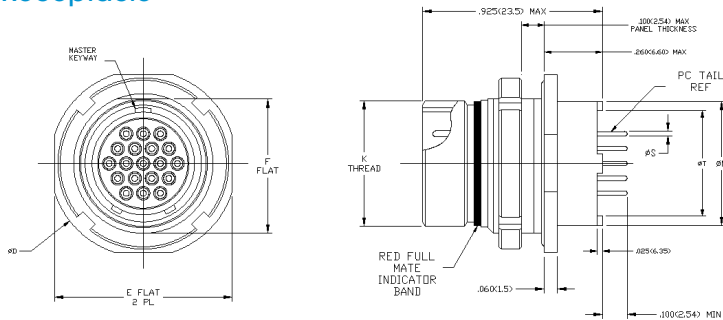
Cinch MD	Glenair Mighty Mouse®	Amphenol 2M
MD801-xxx-yyzq-qvw	801-xxx-yyzq-qvw	2M801-xxx-yyzq-qvw



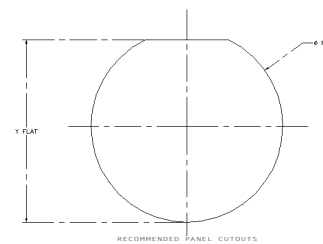
## Plug



## Receptacle



## Cutout



# How to Order MD Connectors

## Series MD801 - Dual start ACME Thread - Plug and Receptacles with Crimp Contacts

<b>Main Series</b>	<b>MD801</b>	<b>007</b>	<b>16</b>	<b>NF</b>	<b>6-7</b>	<b>P</b>	<b>A</b>	<b>K123</b>
MD801 - Dual start ACME thread								
<b>Series</b>								
-007 - Plug with banding platform -008 - Plug with rear accessory thread -009 - Receptacle with banding platform -010 - Receptacle with rear accessory thread								
<b>Shell Style</b>								
-16 - Plug with anti decoupling spring -26 - Plug with ratchet mechanism -01 - Receptacle, in-line -02 - Receptacle, square flange -07 - Receptacle, jam nut								
<b>Shell Material/Finish</b>								
NF - Aluminum / Cadmium with olive drab chromate C - Aluminum / Black hard anodize, RoHS Z1 - Stainless Steel / Passivated, RoHS ZNU - Aluminum / Black Zinc Nickel over Electroless Nickel MT - Aluminum / Nickel PTFE M - Aluminum / Electroless Nickel, RoHS								
<b>Shell Size - Insert Arrangement</b>								
See Table 1								
<b>Contact Type</b>								
P - Pin, crimp, provided separately S - Socket, crimp, provided separately								
<b>Shell Keying</b>								
See table 2								
<b>Modification code</b>								
Used for any special modification requested								

## Series MD801 - Dual start ACME Thread - Receptacles with PC Tail or Solder Cup Contacts

<b>Main Series</b>	<b>MD801</b>	<b>011</b>	<b>07</b>	<b>NF</b>	<b>6-7</b>	<b>P</b>	<b>A</b>	<b>K123</b>
MD801 - Dual start ACME thread								
<b>Series</b>								
-011 - Receptacle for PC tail or solder cup contacts								
<b>Shell Style</b>								
-02 - Receptacle, square flange -07 - Receptacle, jam nut								
<b>Shell Material/Finish</b>								
NF - Aluminum / Cadmium with olive drab chromate C - Aluminum / Black hard anodize, RoHS Z1 - Stainless Steel / Passivated, RoHS ZNU - Aluminum / Black Zinc Nickel over Electroless Nickel MT - Aluminum / Nickel PTFE M - Aluminum / Electroless Nickel, RoHS								
<b>Shell Size - Insert Arrangement</b>								
See Table 3								
<b>Contact Type</b>								
P - Pin, PC tail S - Socket, PC tail E - Pin, Solder cup F - Socket, Solder cup								
<b>Shell Keying</b>								
See table 2								
<b>Modification code</b>								
Used for any special modification requested								

Table 1 - Shell Size-Insert Crimp

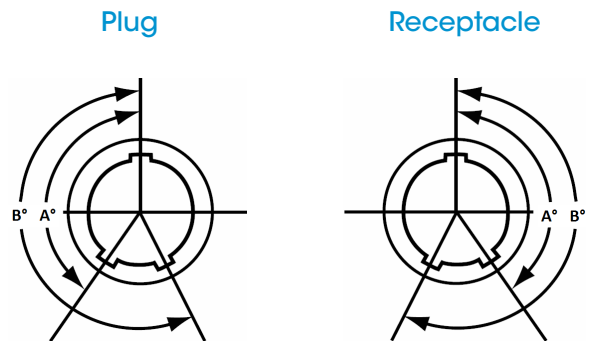
Size-Insert	Number of Contacts			
	#23	#20	#16	#12
Contact factory for available insert arrangements				

Table 3 - Shell Size-Insert

Size-Insert	Number of contacts			
	#23	#20	#16	#12
Contact factory for available insert arrangements				

Table 2 - Shell Keying

	A°	B°
A	150°	210°
B	75°	210°
C	95°	230°
D	140°	275°
E	75°	275°
F	95°	210°



Cinch Connectors Inc.  
1700 Finley Road  
Lombard, IL 60148 USA

+1 630.705.6000  
inquiry@us.cinch.com  
[cinch.com](http://cinch.com)

## X-ON Electronics

Largest Supplier of Electrical and Electronic Components

*Click to view similar products for [Circular MIL Spec Connector](#) category:*

*Click to view products by [Bel Fuse](#) manufacturer:*

Other Similar products are found below :

[0025-262-542](#) [0025-264-3014](#) [58-570121-04S](#) [0134-202-1200](#) [0134-207-1206](#) [0134-207-1800](#) [0134-207-2207](#) [0134-213-0806](#) [0134-213-1007](#) [0134-213-1009](#) [0134-213-1208](#) [0134-213-1800](#) [0134-213-2209](#) [0025-258-000](#) [015-9516-002](#) [60-042217-10P](#) [60-042722-19P](#) [0114-201-1278](#) [602GB06EG24-61SN](#) [0134-201-1207](#) [0134-201-1806](#) [0134-201-2006](#) [0134-201-2007](#) [0134-201-2010](#) [0134-202-1400](#) [0134-207-0809](#) [0134-207-1208](#) [0134-207-2009](#) [0134-213-1006](#) [6104-207-2302](#) [6104-208-1902](#) [6131-202-19149P](#) [6131-204-21149P](#) [6131-207-13149P](#) [6131-208-13149P](#) [6131-209-17149P](#) [6131-210-11149P](#) [6131-211-19149P](#) [6131-216-19149P](#) [6131-220-25149P](#) [6131-259-11149P](#) [6131-259-21149P](#) [6131-259-23149P](#) [6131-263-19149P](#) [6131-265-17149P](#) [6131-265-19149P](#) [CS3102A-20-15P](#) [CS3102A-20-15S](#) [CS3102A-28-15S](#) [CS3106A-10SL-53S](#)