



Array PW Series

Solder/Bayonet Coupling Connectors

MIL-C-26482, Series I Commercial
& Military QPL'd

Product Data

Electrical

Contact Termination	(PW) Solder or PC Tail
Number of Contacts	2 to 61
Wire Size, AWG	12 to 24
Wire Range Accomodations	Insulation O.D. Limits

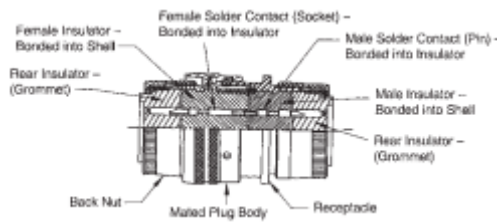
Contact Size	AWG Wire Size	Min.	Max.
20	24, 22 and 20	.060 (1.52)	.083 (2.11)
16	20, 18 and 16	.066 (1.68)	.109 (2.77)
12	14 and 12	.097 (2.46)	.142 (3.61)

Contact Rating

Contact Size	Rated Amps	Test current	Max. Millivolt Drop
20	7.5	7.5	55
16	13.0	13.0	49
12	23.0	23.0	42

Voltage Rating

Altitude	Service Rating	Test Voltage		Max. Working Voltage	
		AC(rms)	DC	AC(rms)	DC
Sea Level	1	1500	2100	600	850
	2	2300	3200	1000	1400
70,000 ft.	1	375	535	300	510
	2	500	770	450	740



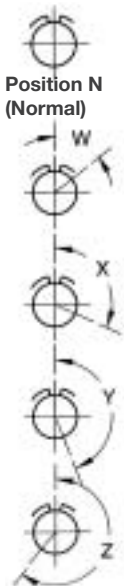
Standard Material and Finishes

Shell (Mil-Std)	Aluminum alloy, conductive olive drab chromate over cadmium finish per QQ-P-416. (Consult factory for commercial options.)
Insulator	Synthetic rubber
Grommet and Seal	Synthetic rubber
Contacts	Copper alloy, gold plate over nickel
Temperature Range	-55°C to +125°C

Mechanical

Shell Styles	00- Wall mount receptacle 01- Cable in line receptacle 02- Box mount receptacle 06- Straight plug 07- Jam nut receptacle 08- 90° Angle plug 09- Flange mount plug PWB - Thru-bulkhead receptacle
Shell Size	8 thru 24
Polarization/Coupling	Five keyway/three point bayonet A- General duty B- General duty with strain relief C- Pressurized commercial "PW" only E- Grommet seal F- Grommet seal with strain relief J- Straight backshell see note* JF- Commercial only N- No back end, no termination hardware P- Potted W- Moisture resistant with gland seal * MS- Includes "F" strain relief * PW- Commercial "E" type endbell
Service Classes	

Engaging Face-Pin Inserts



Polarization

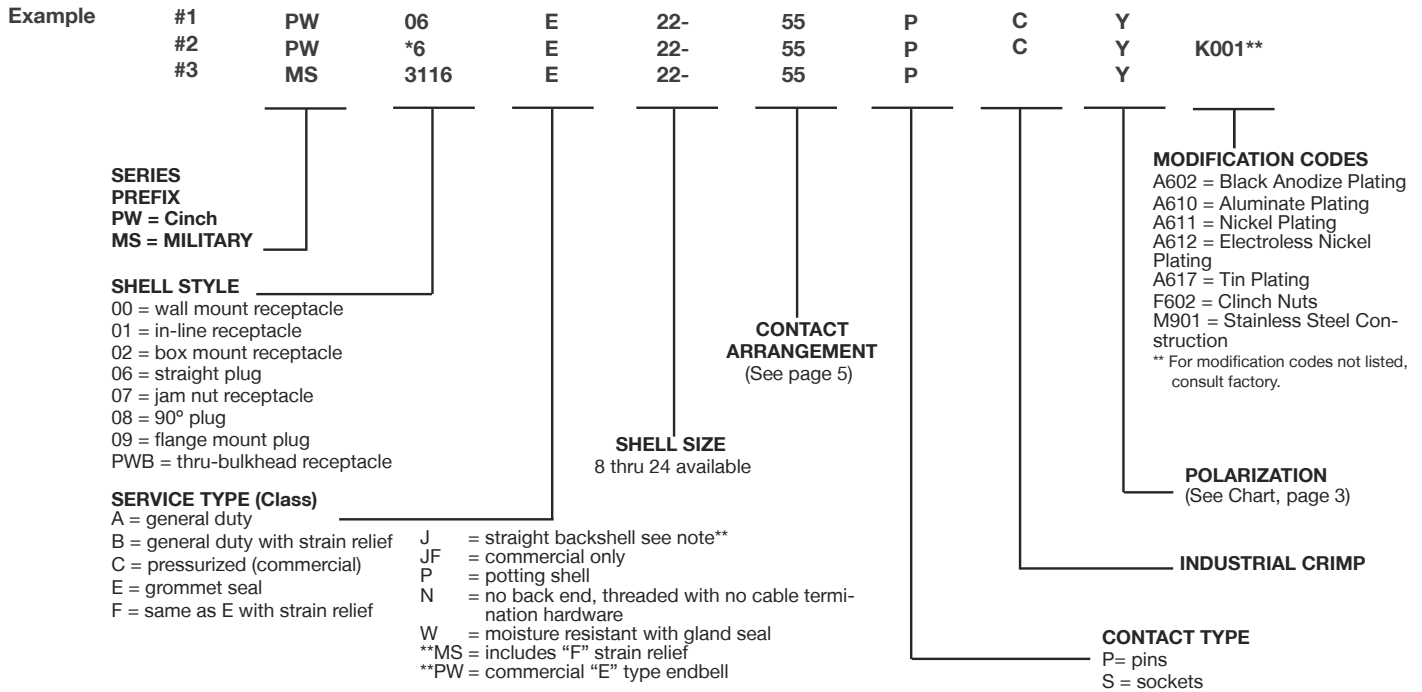
The diagrams indicate alternate insert positions. The five positions (W, X, Y, Z and Normal) differ in degree of rotation for various size and layouts. The exact angle of rotation for the combinations are listed in the table below.

Shell Size	Layout	Position			
		W	X	Y	Z
8	2	58°	122°	-	-
	3	60°	210°	-	-
	4	45°	-	-	-
	33	90°	-	-	-
10	6	90°	-	-	-
	98	90°	180°	240°	270°
12	3	-	-	180°	-
	8	90°	112°	203°	292°
	10	60°	155°	270°	295°
	14	-	-	-	-
14	5	40°	92°	184°	273°
	8	-	-	-	-
	12	43°	90°	-	-
	15	17°	110°	155°	234°
	18	15°	90°	180°	270°
	19	30°	165°	315°	-
	22	45°	-	-	-

Shell Size	Layout	Position			
		W	X	Y	Z
16	8	54°	152°	180°	331°
	23	158°	270°	-	-
	26	60°	-	275°	338°
18	11	62°	119°	241°	340°
	32	85°	138°	222°	265°
20	16	238°	318°	333°	347°
	24	70°	145°	215°	290°
	27	72°	144°	216°	288°
	39	63°	144°	252°	333°
	41	45°	126°	225°	-
22	21	16°	135°	175°	349°
	41	39°	135°	264°	-
24	55	30°	142°	226°	314°
	61	90°	180°	270°	324°

Note: For polarization data for the other contact arrangements, consult factory.

Nomenclature Guide



*NOTE: When modification to a standard plug or receptacle is required, delete the "0" between the PW and the "6" as in example #2.

Cross Reference

MIL SPEC PART NOS.					
MS3110A***	PW00A*	PT00A*	KPT00A*	BT00A*	851-00A*50*
MS3110B***	PW00B*	PT00A*(SR)	KPT00B*	BT00AC*	851-0AC*50
MS3110E*	PW00E*	PT00E*	KPT00E*	BT00E*	851-0E*50
MS3110F*	PW00F*	PT00E*(SR)	KPT00F*	BT00EC*	851-0EC*50
MS3110P*	PW00P*	PT00P*	KPT00P*	BT00P*	851-0P*50
MS3110J*	PW00JF*	~~~~~	KPT00J*	BT00JF*	851-00JC*50
~~~~~	PW00J*	PT00W*	~~~~~	BT00J*	851-00J*50
MS3111A***	PW01A*	PT01A*	KPT01A*	BT01A*	851-01A*50
MS3111B***	PW01B*	PT01A*(SR)	KPT01B*	BT01AC*	851-01AC*
MS3111E*	PW01E*	PT01E*	KPT01E*	BT01E*	851-01E*50
MS3111F*	PW01F*	PT01E*(SR)	KPT01F*	BT01EC*	851-01EC*50
MS3111P*	PW01P*	PT01P*	KPT01P*	BT01P*	851-01P*50
MS3111J*	PW01JF*	~~~~~	KPT01J*	BT01JF*	851-01JC*50
~~~~~	PW01J*	PT01W*	~~~~~	BT01J*	851-01J*50
MS3112A***	PW02A*	PT02A*	KPT02A*	BT02A*	851-02A*50
MS3112E*	PW02E*	PT02E*	KPT02E*	BT02E*	851-02E*50
~~~~~	PW07A*	PT07A*	KPT07A*	BT07A*	851-07A*50
MS3114E*	PW07E*	PT07E*	KPT07E*	BT07E*	851-07E*50
MS3114F*	PW07F*	PT07E*(SR)	KPT07F*	BT07EC*	851-07EC*50
MS3114P*	PW07P*	PT07P*	KPT07P*	BT07P*	851-07P*50
MS3116A***	PW06A*	PT06A*	KPT06A*	BT06A*	851-06A*50
MS3116B***	PW06B*	PT06A*(SR)	KPT06B*	BT06AC*	851-06AC*50
MS3116E*	PW06E*	PT06E*	KPT06E*	BT06E*	851-06E*50
MS3116F*	PW06F*	PT06E*(SR)	KPT06F*	BT06EC*	851-06EC*50
MS3116P*	PW06P*	PT06P*	KPT06P*	BT06P*	851-06P*50
MS3116J*	PW06JF*	~~~~~	KPT06J*	BT06JF*	851-06JC*50
~~~~~	PW06J*	PT06W*	~~~~~	BT06J*	851-06J*50
MS3119E*	PWB*	PTB*	KPTB*	~~~~~	~~~~~
~~~~~	PW08E*	PT08E*	KPT08E*	~~~~~	851-08E*50
~~~~~	PW08F*	PT08E*(SR)	KPT08F*	~~~~~	851-08EC*50
~~~~~	PW09N*	PT09E*	~~~~~	~~~~~	851-09E*50

***Obsolete for new design but still available. **Insert Arrangement.

# Contact Arrangement (Engaging Face of Pin Insert)

(For contact arrangements not shown, contact factory)

08	2 No. 20 Contacts 	3 No. 20 Contacts 	3 No. 20 Contacts 	4 No. 20 Contacts 		
10	6 No. 20 Contacts 	6 No. 20 Contacts 	7 No. 20 Contacts 			
12	3 No. 16 Contacts 	8 No. 20 Contacts 	10 No. 20 Contacts 	14 No. 20 Contacts 		
14	5 No. 16 Contacts 	4 No. 20 Contacts 4 No. 12 Contacts 	4 No. 16 Contacts 8 No. 20 Contacts 	1 No. 16 Contact 14 No. 20 Contacts 	18 No. 20 Contacts 	19 No. 20 Contacts 
16	8 No. 16 Contacts 	1 No. 16 Contact 22 No. 20 Contacts 	26 No. 20 Contacts 			
18	11 No. 16 Contacts 	32 No. 20 Contacts 	1 No. 16 Contact 29 No. 20 Contacts 			
20	16 No. 16 Contacts 	24 No. 20 Contacts 	25 No. 20 Contacts 	27 No. 20 Contacts 	2 No. 16 Contacts 37 No. 20 Contacts 	41 No. 20 Contacts 
22	21 No. 16 Contacts 	32 No. 20 Contacts 	34 No. 20 Contacts 	14 No. 16 Contacts 27 No. 20 Contacts 	55 No. 20 Contacts 	
24	61 No. 20 Contacts 					

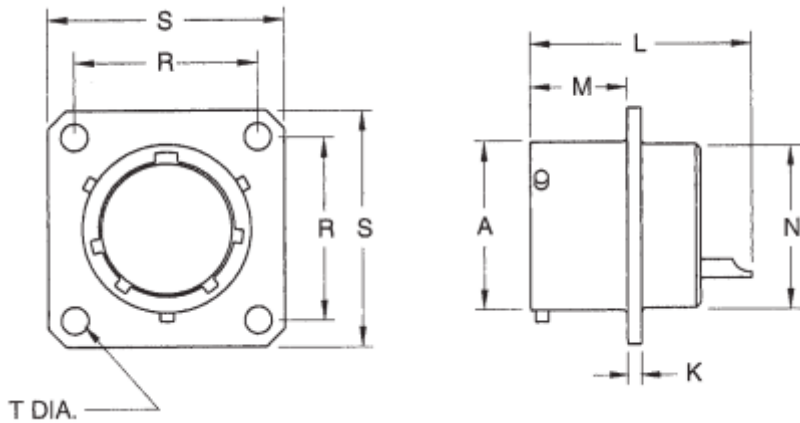
** Commercial arrangement.

□ Available with solder or straight PC contacts.

○ MIL-C-26482 Series 1 Contact arrangements, per MIL-STD-1669.

* Consult with factory.

# Series PW02/MS 3112 Box Mount Receptacle



Application: Box Mount Receptacle.  
Suggested mates are PW06/MS3116 and PW08 styles.

For printed circuit board terminations, see page 7.

## Dimensions in Inches

SHELL SIZE	A±.003	K±.010	LMAX.	M+.031 -.000	N±.015	R(Tp)	SMAX.	T±.005
8	.471	.062	.978	.431	.438	.594	.828	.120
10	.588	.062	.978	.431	.558	.719	.954	.120
12	.748	.062	.978	.431	.688	.812	1.047	.120
14	.873	.062	.978	.431	.812	.906	1.141	.120
16	.998	.062	.978	.431	.938	.969	1.234	.120
18	1.123	.062	.978	.431	1.062	1.062	1.328	.120
20	1.248	.094	1.196	.556	1.188	1.156	1.453	.120
22	1.373	.094	1.196	.556	1.312	1.250	1.578	.120
24	1.498	.094	1.196	.589	1.438	1.375	1.703	.147

## Dimensions in Millimeters

SHELL SIZE	A±.076	K±.254	LMAX.	M+.787 -.000	N±.381	R(Tp)	SMAX.	T±.127
8	12.01	1.57	24.84	10.95	11.13	15.09	21.03	3.05
10	14.99	1.57	24.84	10.95	14.27	18.26	24.23	3.05
12	19.05	1.57	24.84	10.95	17.48	20.62	26.59	3.05
14	22.23	1.57	24.84	10.95	20.62	23.01	28.98	3.05
16	25.40	1.57	24.84	10.95	23.83	24.61	31.34	3.05
18	28.58	1.57	24.84	10.95	26.97	26.97	33.73	3.05
20	31.75	2.39	30.38	14.12	30.18	29.36	36.91	3.05
22	34.93	2.39	30.38	14.12	33.32	31.75	40.08	3.05
24	38.10	2.39	30.38	14.96	36.53	34.93	43.26	3.73

## X-ON Electronics

Largest Supplier of Electrical and Electronic Components

*Click to view similar products for [Circular MIL Spec Connector](#) category:*

*Click to view products by [Bel Fuse](#) manufacturer:*

Other Similar products are found below :

[0025-262-542](#) [0025-264-3014](#) [58-570121-04S](#) [0134-202-1200](#) [0134-207-1206](#) [0134-207-1800](#) [0134-207-2207](#) [0134-213-0806](#) [0134-213-1007](#) [0134-213-1009](#) [0134-213-1208](#) [0134-213-1800](#) [0134-213-2209](#) [0025-258-000](#) [015-9516-002](#) [60-042217-10P](#) [60-042722-19P](#) [0114-201-1278](#) [602GB06EG24-61SN](#) [0134-201-1207](#) [0134-201-1806](#) [0134-201-2006](#) [0134-201-2007](#) [0134-201-2010](#) [0134-202-1400](#) [0134-207-0809](#) [0134-207-1208](#) [0134-207-2009](#) [0134-213-1006](#) [6104-207-2302](#) [6104-208-1902](#) [6104-215-0902](#) [6131-202-19149P](#) [6131-204-21149P](#) [6131-207-13149P](#) [6131-208-13149P](#) [6131-209-17149P](#) [6131-210-11149P](#) [6131-211-19149P](#) [6131-216-19149P](#) [6131-220-25149P](#) [6131-259-11149P](#) [6131-259-21149P](#) [6131-259-23149P](#) [6131-263-19149P](#) [6131-265-17149P](#) [6131-265-19149P](#) [CS3102A-20-15P](#) [CS3102A-20-15S](#) [CS3102A-28-15S](#)