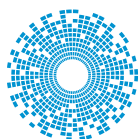




PW Series

Solder/Bayonet Coupling Connectors

MIL-C-26482, Series I Commercial
& Military QPL'd



cinch
CONNECTIVITY SOLUTIONS
a bel group

belfuse.com/cinch

PRODUCT INDEX

Solder/Bayonet Coupling Connectors Commercial and MIL-C-26482, Series I

Contents

Product Data
Polarization
Nomenclature Guide
Cross Reference
Contact Arrangements
Panel Mounting Data
Printed Circuit Termination

Product Series

3	Series PW00/MS3110 Wall Mount Receptacle	8
3	Series PW01/MS3111 In-Line Receptacle	9
4	Series PW02/MS3112 Box Mount Receptacle	10
4	Series PW07/MS3114 Jam Nut Receptacle	11
5	Series PW07A/C Jam Nut Receptacle	12
6	Series PW06/MS3116 Straight Plug	13
7	Series PW08 900Angle Plug	14
	Series PW09 Flange Mount Plug	15
	Series PWB Thru-Bulkhead Receptacle (MS3119 Military)	16
	PW80/MS3180 and PW81/MS3181 Protective Caps	17
	Contact Locations	18

Features

Cinch's "MS" series connectors meet or exceed all of the requirements for qualification to MIL-C-26482 Series I Solder and are listed in the U.S. Government's Qualified Product List. They are available in nine shell sizes and over thirty insert arrangements with both pin or socket contacts.

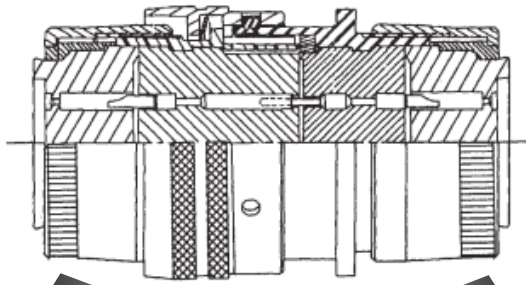
Shells and hardware are made of high strength aluminum alloys, cadmium plated with a chromate overplate as standard. Shells are provided with five keyways to insure proper alignment when mated. Mated shells are held together by three bayonet pins on receptacles and bayonet locking coupling nuts on plugs. These provide visual and audible confirmation of complete mating.

All "PW/MS" receptacle and plug connectors can be ordered with pin or socket contacts. Contact sizes are 20, 16, and 12 gauge, available with either solder cup or PC tail termination. Contacts are made of copper alloy, gold plated per MIL-G-45204, with closed entry design for socket contacts.

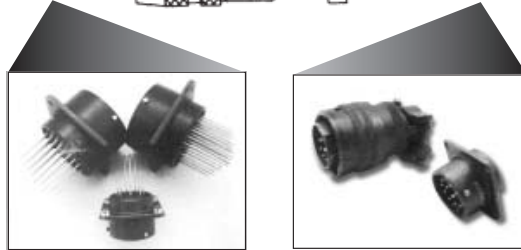
Many special features are available such as electroless nickel or colored anodized finish, stainless steel shells, clinch nuts, Viton or silicone inserts. For modifications or materials not shown in the catalog, contact your Cinch sales representative.

Cinch Connectivity Solutions produces high quality products. These products are intended to be used in accordance with the specifications described in this catalog. Any use or application that deviates from the stated operating specifications is not recommended and may be unsafe. A limited warranty is applicable. Except for obligations assumed by Cinch Connectivity Solutions under warranty, Cinch will not be liable for any loss, damage, repairs, incidental or consequential damages of any kind, whether or not based upon expressed or implied warranty, contract, negligence, or liability arising from the application or manufacture or repair of these products. This catalog is not a contractual offering; it is for informational purposes only.

PW / MS Receptacle and Plug Connectors



Cinch Connectivity Solutions manufactures an extensive line of Bayonet Coupling Connectors which meet or exceed the requirements for qualification to MIL-C-26482 Series 1 Solder.



Nine shell sizes are available and over thirty insert arrangements with both pin and socket contacts.



PW00/MS3110
Wall Mount Receptacle



PW01/MS3111
In-Line Receptacle



PW02/MS3112
Box Mount Receptacle



PW06/MS3116
Straight Plug



PW07A
Jam Nut Receptacle
(General Duty)



PW07/MS3114
Jam Nut Receptacle (Environmental)



PW08
90° Plug



PW09
Flange Mount Plug



PWB/MS3119
Thru-Bulkhead
Receptacle

Product Data

Electrical

Contact Termination	(PW) Solder or PC Tail
Number of Contacts	2 to 61
Wire Size, AWG	12 to 24
Wire Range Accomodations	Insulation O.D. Limits

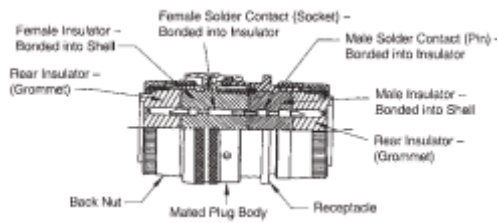
Contact Size	AWG Wire Size	Min.	Max.
20	24, 22 and 20	.060 (1.52)	.083 (2.11)
16	20, 18 and 16	.066 (1.68)	.109 (2.77)
12	14 and 12	.097 (2.46)	.142 (3.61)

Contact Rating

Contact Size	Rated Amps	Test current	Max. Millivolt Drop
20	7.5	7.5	55
16	13.0	13.0	49
12	23.0	23.0	42

Voltage Rating

Altitude	Service Rating	Test Voltage		Max. Working Voltage	
		AC(rms)	DC	AC(rms)	DC
Sea Level	1	1500	2100	600	850
	2	2300	3200	1000	1400
70,000 ft.	1	375	535	300	510
	2	500	770	450	740



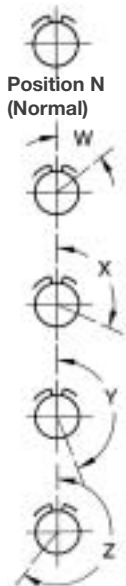
Standard Material and Finishes

Shell (Mil-Std)	Aluminum alloy, conductive olivedrab chromate over cadmiumfinish per QQ-P-416. (Consultfactory for commercial options.)
Insulator	Synthetic rubber
Grommet and Seal	Synthetic rubber
Contacts	Copper alloy, gold plate over nickel
Temperature Range	-55°C to +125°C

Mechanical

Shell Styles	00- Wall mount receptacle 01- Cable in line receptacle 02- Box mount receptacle 06- Straight plug 07- Jam nut receptacle 08- 90° Angle plug 09- Flange mount plug PWB - Thru-bulkhead receptacle
Shell Size	8 thru 24
Polarization/Coupling	Five keyway/three point bayonet A- General duty B- General duty with strain relief C- Pressurized commercial "PW" only E- Grommet seal F- Grommet seal with strain relief J- Straight backshell see note* JF- Commercial only N- No back end, no termination hardware P- Potted W- Moisture resistant with gland seal * MS- Includes "F" strain relief * PW- Commercial "E" type endbell
Service Classes	

Engaging Face-Pin Inserts



Polarization

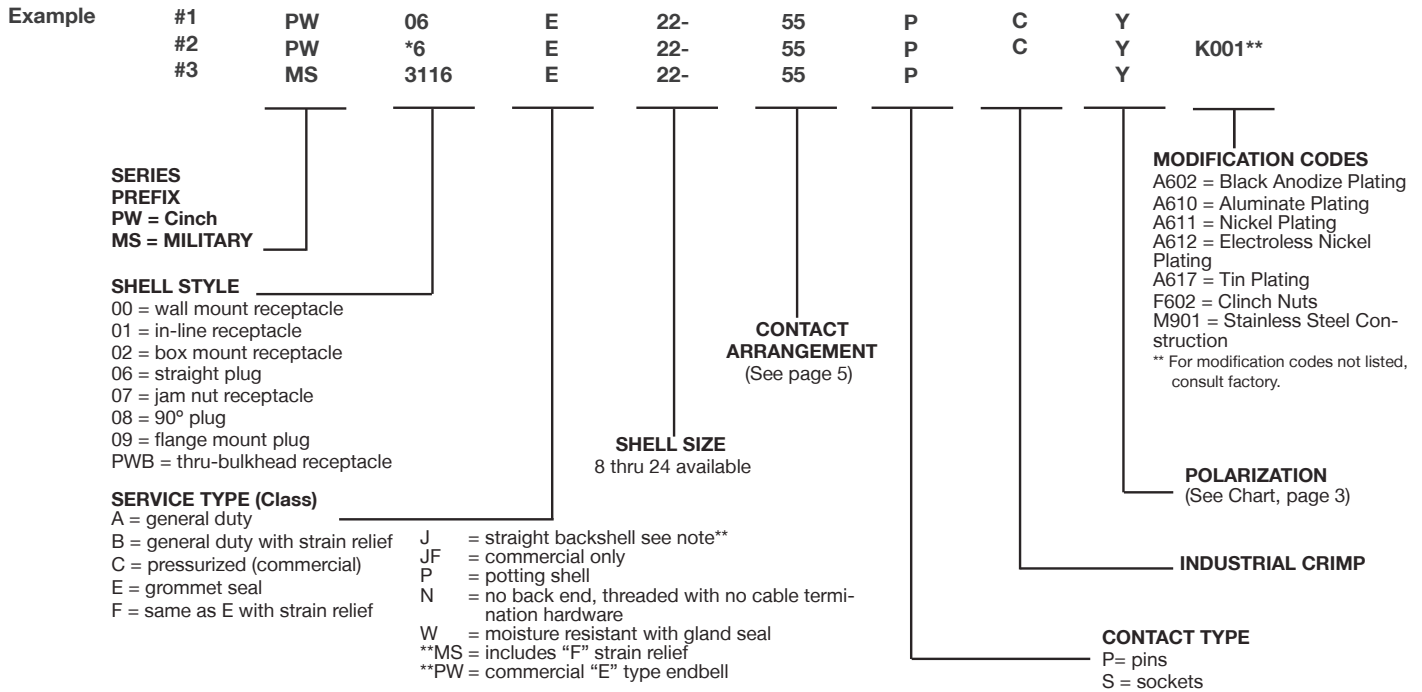
The diagrams indicate alternate insert positions. The five positions (W, X, Y, Z and Normal) differ in degree of rotation for various size and layouts. The exact angle of rotation for the combinations are listed in the table below.

Shell Size	Layout	Position			
		W	X	Y	Z
8	2	58°	122°	-	-
	3	60°	210°	-	-
	4	45°	-	-	-
	33	90°	-	-	-
10	6	90°	-	-	-
	98	90°	180°	240°	270°
12	3	-	-	180°	-
	8	90°	112°	203°	292°
	10	60°	155°	270°	295°
	14	-	-	-	-
14	5	40°	92°	184°	273°
	8	-	-	-	-
	12	43°	90°	-	-
	15	17°	110°	155°	234°
	18	15°	90°	180°	270°
	19	30°	165°	315°	-
	22	45°	-	-	-

Shell Size	Layout	Position			
		W	X	Y	Z
16	8	54°	152°	180°	331°
	23	158°	270°	-	-
	26	60°	-	275°	338°
18	11	62°	119°	241°	340°
	32	85°	138°	222°	265°
20	16	238°	318°	333°	347°
	24	70°	145°	215°	290°
	27	72°	144°	216°	288°
	39	63°	144°	252°	333°
	41	45°	126°	225°	-
22	21	16°	135°	175°	349°
	41	39°	135°	264°	-
24	55	30°	142°	226°	314°
	61	90°	180°	270°	324°

Note: For polarization data for the other contact arrangements, consult factory.

Nomenclature Guide



*NOTE: When modification to a standard plug or receptacle is required, delete the "0" between the PW and the "6" as in example #2.

Cross Reference

MIL SPEC PART NOS.	LEADING SUPPLIERS' COMMERCIAL EQUIVALENT				
	Cinch	AMPHENOL-BENDIX	CANNON	FCI/BURNDY	SOURIAU
MS3110A***	PW00A*	PT00A*	KPT00A*	BT00A*	851-00A*50*
MS3110B***	PW00B*	PT00A**(SR)	KPT00B*	BT00AC*	851-0AC*50
MS3110E*	PW00E*	PT00E*	KPT00E*	BT00E*	851-0E*50
MS3110F*	PW00F*	PT00E**(SR)	KPT00F*	BT00EC*	851-0EC*50
MS3110P*	PW00P*	PT00P*	KPT00P*	BT00P*	851-0P*50
MS3110J*	PW00JF*	~~~~~	KPT00J*	BT00JF*	851-00JC*50
~~~~~	PW00J*	PT00W*	~~~~~	BT00J*	851-00J*50
MS3111A***	PW01A*	PT01A*	KPT01A*	BT01A*	851-01A*50
MS3111B***	PW01B*	PT01A**(SR)	KPT01B*	BT01AC*	851-01AC*
MS3111E*	PW01E*	PT01E*	KPT01E*	BT01E*	851-01E*50
MS3111F*	PW01F*	PT01E**(SR)	KPT01F*	BT01EC*	851-01EC*50
MS3111P*	PW01P*	PT01P*	KPT01P*	BT01P*	851-01P*50
MS3111J*	PW01JF*	~~~~~	KPT01J*	BT01JF*	851-01JC*50
~~~~~	PW01J*	PT01W*	~~~~~	BT01J*	851-01J*50
MS3112A***	PW02A*	PT02A*	KPT02A*	BT02A*	851-02A*50
MS3112E*	PW02E*	PT02E*	KPT02E*	BT02E*	851-02E*50
~~~~~	PW07A*	PT07A*	KPT07A*	BT07A*	851-07A*50
MS3114E*	PW07E*	PT07E*	KPT07E*	BT07E*	851-07E*50
MS3114F*	PW07F*	PT07E**(SR)	KPT07F*	BT07EC*	851-07EC*50
MS3114P*	PW07P*	PT07P*	KPT07P*	BT07P*	851-07P*50
MS3116A***	PW06A*	PT06A*	KPT06A*	BT06A*	851-06A*50
MS3116B***	PW06B*	PT06A**(SR)	KPT06B*	BT06AC*	851-06AC*50
MS3116E*	PW06E*	PT06E*	KPT06E*	BT06E*	851-06E*50
MS3116F*	PW06F*	PT06E**(SR)	KPT06F*	BT06EC*	851-06EC*50
MS3116P*	PW06P*	PT06P*	KPT06P*	BT06P*	851-06P*50
MS3116J*	PW06JF*	~~~~~	KPT06J*	BT06JF*	851-06JC*50
~~~~~	PW06J*	PT06W*	~~~~~	BT06J*	851-06J*50
MS3119E*	PWB*	PTB*	KPTB*	~~~~~	~~~~~
~~~~~	PW08E*	PT08E*	KPT08E*	~~~~~	851-08E*50
~~~~~	PW08F*	PT08E**(SR)	KPT08F*	~~~~~	851-08EC*50
~~~~~	PW09N*	PT09E*	~~~~~	~~~~~	851-09E*50

***Obsolete for new design but still available. **Insert Arrangement.



# Contact Arrangement (Engaging Face of Pin Insert)

(For contact arrangements not shown, contact factory)

08	2 No. 20 Contacts 	3 No. 20 Contacts 	3 No. 20 Contacts 	4 No. 20 Contacts 		
10	6 No. 20 Contacts 	6 No. 20 Contacts 	7 No. 20 Contacts 			
12	3 No. 16 Contacts 	8 No. 20 Contacts 	10 No. 20 Contacts 	14 No. 20 Contacts 		
14	5 No. 16 Contacts 	4 No. 20 Contacts 4 No. 12 Contacts 	4 No. 16 Contacts 8 No. 20 Contacts 	1 No. 16 Contact 14 No. 20 Contacts 	18 No. 20 Contacts 	19 No. 20 Contacts 
16	8 No. 16 Contacts 	1 No. 16 Contact 22 No. 20 Contacts 	26 No. 20 Contacts 			
18	11 No. 16 Contacts 	32 No. 20 Contacts 	1 No. 16 Contact 29 No. 20 Contacts 			
20	16 No. 16 Contacts 	24 No. 20 Contacts 	25 No. 20 Contacts 	27 No. 20 Contacts 	2 No. 16 Contacts 37 No. 20 Contacts 	41 No. 20 Contacts 
22	21 No. 16 Contacts 	32 No. 20 Contacts 	34 No. 20 Contacts 	14 No. 16 Contacts 27 No. 20 Contacts 	55 No. 20 Contacts 	
24	61 No. 20 Contacts 					

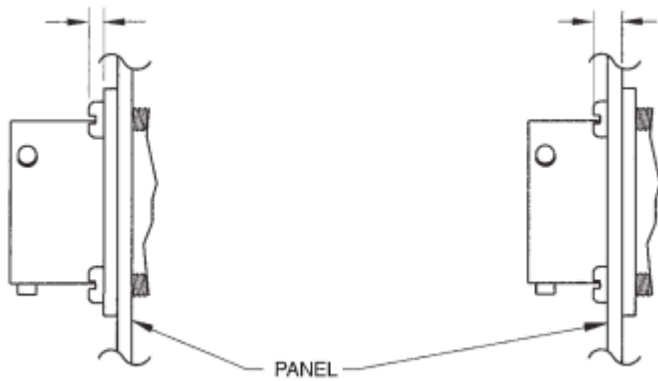
** Commercial arrangement.

□ Available with solder or straight PC contacts.

○ MIL-C-26482 Series 1 Contact arrangements, per MIL-STD-1669.

* Consult with factory.

# Panel Mounting Data



Front Panel Mounting

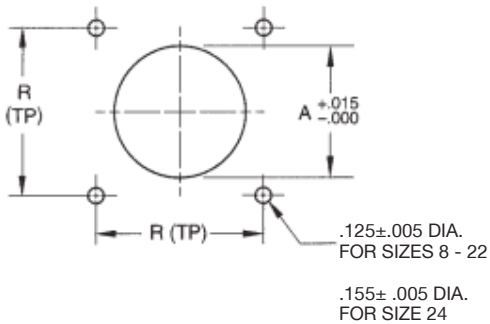
Rear Panel Mounting

## Max Panel & Screw Heads

SHELL SIZE	PW00	PW02	PWB
8			
10			
12	0.087	0.087	0.218
14			
16			
18			
20			
22	0.212	0.212	0.344
24			
			0.311

Note: All dimensions relate to distance in front of flange required for proper mating.

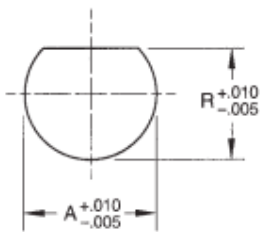
# Series PW Panel Cutout Dimensions



## Wall & Box Mounting Receptacle 00, 02

Square flange PW receptacles are normally front panel mounted, using dimensions indicated. Hole location "R" is true position and is located within .005 dia. of (TP). When back panel mounting, provision must be made for bayonet pin and coupling clearance.

SHELL SIZE	INCHES		MILLIMETERS	
	A	R	A	R
8	.479	.594	12.17	15.08
10	.603	.719	15.32	18.28
12	.730	.812	18.54	20.61
14	.855	.906	21.72	23.00
16	.979	.969	24.87	24.60
18	1.103	1.062	28.02	27.00
20	1.223	1.156	30.56	29.36
22	1.350	1.250	33.78	31.75
24	1.475	1.375	36.96	33.98

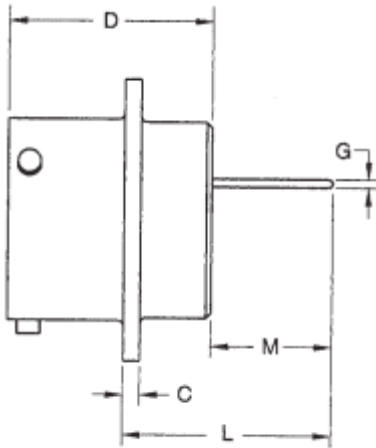


## Jam Nut Receptacle 07

PW jam nut receptacles are rear panel mounted in a "D" shaped mounting hole. Minimum panel thickness is .062", maximum is .125" for sizes 8 through 18 and .250" for sizes 20 through 24.

SHELL SIZE	INCHES		MILLIMETERS	
	A	R	A	R
8	.572	.540	14.53	13.72
10	.697	.665	17.70	16.90
12	.885	.828	22.45	21.03
14	1.010	.952	25.67	24.20
16	1.135	1.076	28.87	27.35
18	1.260	1.201	32.00	30.75
20	1.385	1.326	35.18	33.65
22	1.510	1.451	38.35	36.83
24	1.635	1.576	41.50	40.00

# Printed Circuit Termination



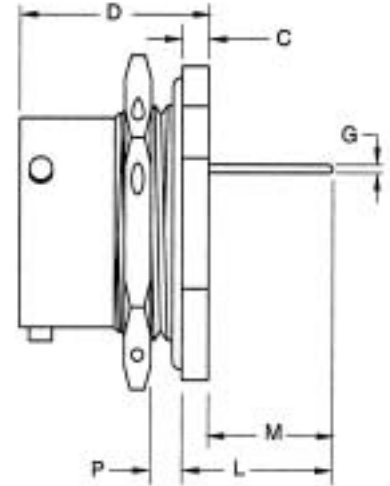
PW02 (Any Class)

Note: to define PC tail length(s), specify either "L" or "M" and "G" dimensions.

## Recommended PC Tail Diameter "G"

CONTACT SIZE	DIAMETER
16 gauge	.040
20 gauge	.030

Other dimensions available.  
Consult with factory



PW07 (A and C Class only)

## PW02 - Shell Dimensions

SHELL SIZE	C±.016	D+.005 -.015	Customer to Specify		
			G±.001	L	M
8	.062	.755			
10	.062	.755			
12	.062	.755			
14	.062	.755			
16	.062	.755			
18	.062	.755			
20	.094	1.005			
22	.094	1.005			
24	.094	1.040			

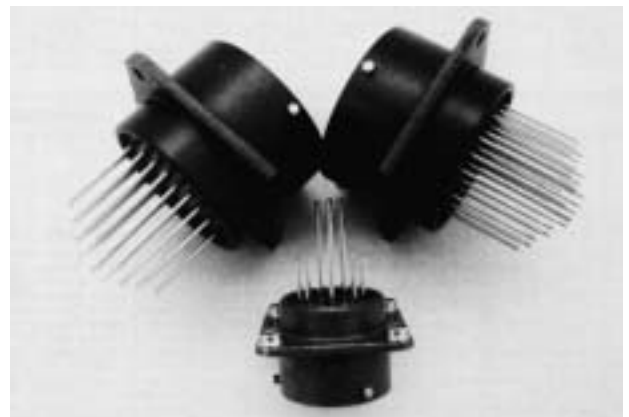
## PW07 - Shell Dimensions

SHELL SIZE	C±.020	D MAX.	P		Customer to Specify		
			MIN.	MAX.	G±.001	L	M
8	.117	.859	.062	.125			
10	.117	.859	.062	.125			
12	.117	.859	.062	.125			
14	.117	.859	.062	.125			
16	.117	.859	.062	.125			
18	.117	.859	.062	.125			
20	.148	1.078	.062	.250			
22	.148	1.078	.062	.250			
24	.148	1.111	.062	.250			

Cinch Connectivity Solutions stocks a wide range of con-tacts for printed circuit board mounting in a variety of lengths and diameters. The PC types PW02 and PW07 (with printed circuit termination) mate with all MIL-C-26482 plugs. They are competitively priced with the solder ver-sion, and a substantial savings can be realized when ter-minated by wave or reflow soldering.

If you require special plating (other than cadmium) or other modifications (i.e., clinch nuts), please advise requirements.

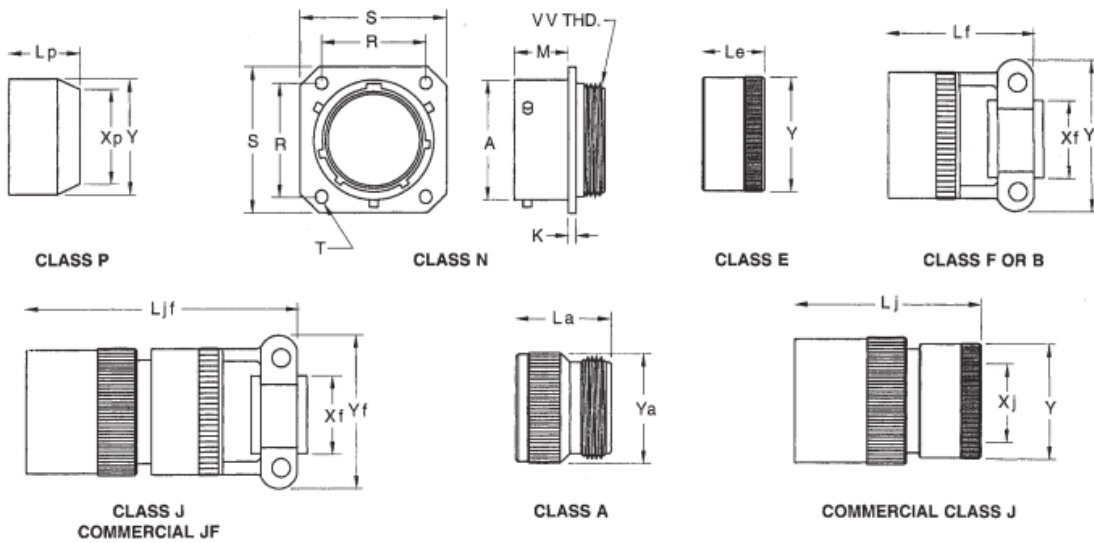
Cinch can also supply these connectors with custom flex circuitry attached. Please discuss your requirements with your local Cinch Sales Representative.



Combinations of different PC tail lengths can be provided.



# Series PW00/MS3110 Wall Mount Receptacle



Application:  
Wall Mounting  
Connector.  
Suggested mates  
are PW06/MS3116  
and PW08 styles.  
Note: L* = Total  
connector length  
including cable  
accessory.

## Dimensions in Inches

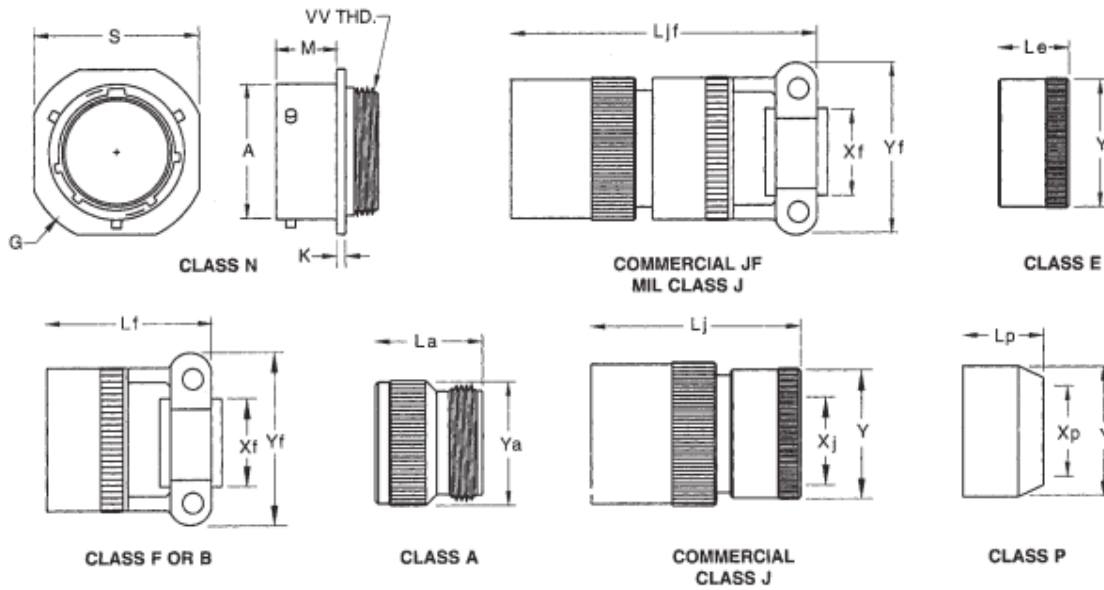
SHELL SIZE	Xf MIN. DIA.	Xp MIN. DIA.	Xj MIN. CLOSED I.D.	MAX. FREE I.D.	K±.016	YMAX.	Yf MAX.	Ya MAX.	Le MAX.	Lf MAX.	Lp MAX.	Lj MAX.	Ljf MAX.	La MAX.	M+.031 -.000	A±.003	R(Tp)	SMAX.	T±.005	V THREAD CLASS 2A	V V THREAD CLASS 2A
8	.234	.317	.168	.230	.062	.608	.828	.590	1.281	1.844	1.453	1.781	2.271	1.554	.431	.471	.594	.828	.120	1/2-28 UNEF	7/16-28 UNEF
10	.297	.434	.205	.312	.062	.734	.891	.717	1.281	1.844	1.453	1.781	2.271	1.554	.431	.588	.719	.954	.120	5/8-24 UNEF	9/16-24 UNEF
12	.422	.548	.338	.442	.062	.858	1.016	.834	1.281	1.844	1.453	1.921	2.411	1.554	.431	.748	.812	1.047	.120	3/4-20 UNEF	11/16-24 UNEF
14	.547	.673	.416	.539	.062	.984	1.141	.970	1.281	1.844	1.453	2.109	2.599	1.554	.431	.873	.906	1.141	.120	7/8-20 UNEF	13/16-20 UNEF
16	.609	.798	.550	.616	.062	1.110	1.203	1.088	1.281	1.969	1.453	2.328	2.943	1.554	.431	.998	.969	1.234	.120	1-20 UNEF	15/16-20 UNEF
18	.734	.899	.600	.672	.062	1.234	1.469	1.216	1.281	1.969	1.453	2.562	3.172	1.554	.431	1.123	1.062	1.328	.120	1 3/16-18 UNEF	1 1/16-18 UNEF
20	.734	1.024	.635	.747	.094	1.360	1.469	1.332	1.531	2.234	1.672	3.000	3.610	1.771	.556	1.248	1.156	1.453	.120	1 3/16-18 UNEF	1 3/16-18 UNEF
22	.922	1.149	.670	.846	.094	1.484	1.656	1.460	1.531	2.234	1.672	3.156	3.766	1.771	.556	1.373	1.250	1.578	.120	1 7/16-18 UNEF	1 5/16-18 UNEF
24	.984	1.274	.740	.894	.094	1.610	1.750	1.585	1.594	2.297	1.734	3.375	3.985	1.834	.589	1.498	1.375	1.703	.147	1 7/16-18 IMEF	1 7/16-18 UNEF

## Dimensions in Millimeters

SHELL SIZE	Xf MIN. DIA.	Xp MIN. DIA.	Xj MIN. CLOSED I.D.	MAX. FREE I.D.	K±.016	YMAX.	Yf MAX.	Ya MAX.	Le MAX.	Lf MAX.	Lp MAX.	Lj MAX.	Ljf MAX.	La MAX.	M+.787 -.000	A±.076	R(Tp)	SMAX.	T±.127	V THREAD CLASS 2A	V V THREAD CLASS 2A
8	5.95	8.05	4.27	5.84	1.57	15.44	21.03	14.99	32.54	46.84	36.91	45.24	57.68	36.12	10.95	11.99	15.09	21.03	3.05	1/2-28 UNEF	7/16-28 UNEF
10	7.54	11.02	5.21	7.92	1.57	18.64	22.63	18.21	32.54	46.84	36.91	45.24	57.68	36.12	10.95	14.94	18.26	24.23	3.05	5/8-24 UNEF	9/16-24 UNEF
12	10.72	13.92	8.59	11.23	1.57	21.79	25.81	21.18	32.54	46.84	36.91	48.79	61.24	36.12	10.95	19.00	20.63	26.59	3.05	3/4-20 UNEF	11/16-24 UNEF
14	13.89	17.09	10.57	13.69	1.57	24.99	28.98	24.61	32.54	46.84	36.91	53.57	66.01	36.12	10.95	22.17	23.01	28.98	3.05	7/8-20 UNEF	13/16-20 UNEF
16	15.47	20.27	13.97	15.65	1.57	28.19	30.56	27.64	32.54	50.01	36.91	59.13	74.75	48.82	10.95	25.35	24.61	31.34	3.05	1-20 UNEF	15/16-20 UNEF
18	18.64	22.83	15.24	17.07	1.57	31.34	37.31	30.89	32.54	50.01	36.91	65.07	80.57	48.82	10.95	28.52	26.98	33.73	3.05	1 3/16-18 UNEF	1 1/16-18 UNEF
20	18.64	26.01	16.13	18.97	2.39	34.54	37.31	33.83	38.89	56.74	42.47	76.20	91.69	43.26	14.12	31.70	29.36	36.91	3.05	1 3/16-18 UNEF	1 3/16-18 UNEF
22	23.42	29.18	17.02	21.49	2.39	37.82	42.06	37.08	38.89	56.74	42.47	80.16	65.66	43.26	14.12	34.27	31.75	40.08	3.05	1 7/16-18 UNEF	1 5/16-18 UNEF
24	24.99	32.36	18.80	22.71	2.39	40.89	44.45	40.26	40.49	58.34	44.04	85.73	101.22	44.83	14.96	38.05	34.93	43.26	3.73	1 7/16-18 UNEF	1 7/16-18 UNEF

+1 305.234.1000  
[cinch.com](http://cinch.com)

# Series PW01/MS3111 In-Line Receptacle



Application: Cable-to-Cable Connector.  
Suggested mates are PW06/MS3116 and PW08 styles.  
Note: L* = Total connector length including cable accessory.

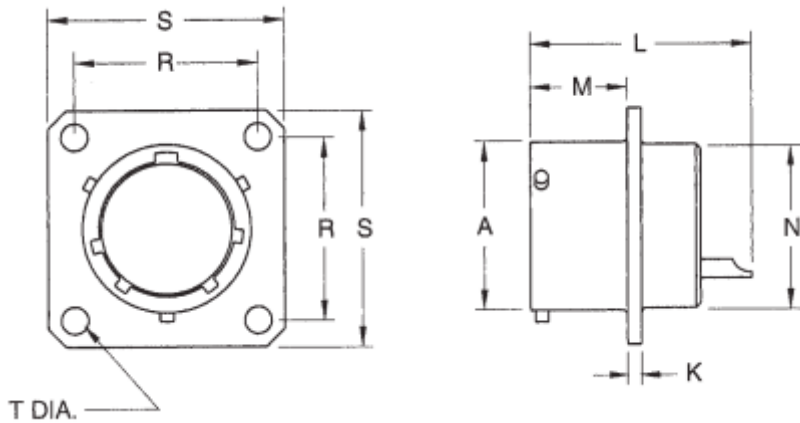
## Dimensions in Inches

SHELL SIZE	Xj																			V THREAD CLASS 2A	V V THREAD CLASS 2A
	Xf MIN.	Xp MIN.	MIN. CLOSED I.D.	MAX. CLOSED I.D.	K±.010	YMAX.	Yf MAX.	Ya MAX.	Le MAX.	Lf MAX.	Lp MAX.	Lj MAX.	La MAX.	Ljf MAX.	M±.031 -0.000	A±.003	G±.020	SMAX.			
8	.234	.317	.168	.230	.094	.608	.828	.590	1.281	1.844	1.453	1.781	1.554	2.271	.400	.471	.938	.828	1/2-28 UNEF	7/16-28 UNEF	
10	.297	.434	.205	.312	.094	.734	.891	.717	1.281	1.844	1.453	1.781	1.554	2.271	.400	.588	1.062	.954	5/8-24 UNEF	9/16-24 UNEF	
12	.422	.548	.338	.442	.094	.858	1.016	.834	1.281	1.844	1.453	1.921	1.554	2.411	.400	.748	1.156	1.047	3/4-20 UNEF	11/16-24 UNEF	
14	.547	.673	.416	.539	.094	.984	1.141	.970	1.281	1.844	1.453	2.109	1.554	2.599	.400	.873	1.250	1.141	7/8-20 UNEF	13/16-20 UNEF	
16	.609	.798	.550	.616	.094	1.110	1.203	1.088	1.281	1.969	1.453	2.328	1.554	2.943	.400	.998	1.344	1.234	1-20 UNEF	15/16-20 UNEF	
18	.734	.899	.600	.672	.094	1.234	1.469	1.216	1.281	1.969	1.453	2.562	1.554	3.172	.400	1.123	1.438	1.328	1 3/16-18 UNEF	1 1/16-18 UNEF	
20	.734	1.024	.635	.747	.115	1.360	1.469	1.332	1.531	2.234	1.672	3.000	1.771	3.610	.535	1.248	1.562	1.453	1 3/16-18 UNEF	1 3/16-18 UNEF	
22	.922	1.149	.670	.846	.115	1.484	1.656	1.460	1.531	2.234	1.672	3.156	1.771	3.766	.535	1.373	1.688	1.578	1 7/16-18 UNEF	1 5/16-18 UNEF	
24	.984	1.274	.740	.894	.115	1.610	1.750	1.585	1.594	2.297	1.734	3.375	1.834	3.985	.568	1.498	1.812	1.70	1 7/16-18 UNEF	1 7/16-18 UNEF	

## Dimensions in Millimeters

SHELL SIZE	Xj																			V THREAD CLASS 2A	V V THREAD CLASS 2A
	Xf	Xp	MIN. CLOSED I.D.	MAX. CLOSED I.D.	K±.254	YMAX.	Yf MAX.	Ya MAX.	Le MAX.	Lf MAX.	Lp MAX.	Lj MAX.	La MAX.	Ljf MAX.	M±.787 -0.000	A±.076	G±.508	SMAX.			
8	5.94	8.05	4.27	5.84	2.39	15.44	21.03	14.99	32.54	46.84	36.91	45.24	36.12	57.68	10.16	11.99	23.83	21.03	1/2-28 UNEF	7/16-28 UNEF	
10	7.54	11.02	5.21	7.92	2.39	18.64	22.63	18.21	32.54	46.84	36.91	45.24	36.12	57.68	10.16	14.94	26.97	24.23	5/8-24 UNEF	9/16-24 UNEF	
12	10.72	13.92	8.59	11.23	2.39	21.79	25.81	21.18	32.54	46.84	36.91	48.79	36.12	61.24	10.16	19.00	29.36	26.59	3/4-20 UNEF	11/16-24 UNEF	
14	13.89	17.09	10.57	13.69	2.39	24.99	28.98	24.64	32.54	46.84	36.91	53.57	36.12	66.01	10.16	22.17	31.75	28.98	7/8-20 UNEF	13/16-20 UNEF	
16	15.47	20.27	13.97	15.65	2.39	28.19	30.56	27.64	32.54	50.01	36.91	59.13	48.82	74.75	10.16	25.35	34.14	31.34	1-20 UNEF	15/16-20 UNEF	
18	18.64	22.83	15.24	17.07	2.39	31.34	37.31	30.89	32.54	50.01	36.91	65.07	48.82	80.57	10.16	28.52	36.53	33.73	1 3/16-18 UNEF	1 1/16-18 UNEF	
20	18.64	26.01	16.13	18.97	2.92	34.54	37.31	33.83	38.89	56.74	42.47	76.20	43.26	91.69	13.59	31.70	39.67	36.91	1 3/16-18 UNEF	1 3/16-18 UNEF	
22	23.42	29.18	17.02	21.49	2.92	37.82	42.06	37.08	38.89	56.74	42.47	80.16	43.26	65.66	13.59	34.87	42.88	40.08	1 7/16-18 UNEF	1 5/16-18 UNEF	
24	24.99	32.36	18.80	22.71	2.92	40.89	44.45	40.26	40.49	58.34	44.04	85.73	44.83	101.22	14.43	38.05	46.02	43.26	1 7/16-18 UNEF	1 7/16-18 UNEF	

# Series PW02/MS 3112 Box Mount Receptacle



Application: Box Mount Receptacle.  
Suggested mates are PW06/MS3116 and PW08 styles.

For printed circuit board terminations, see page 7.

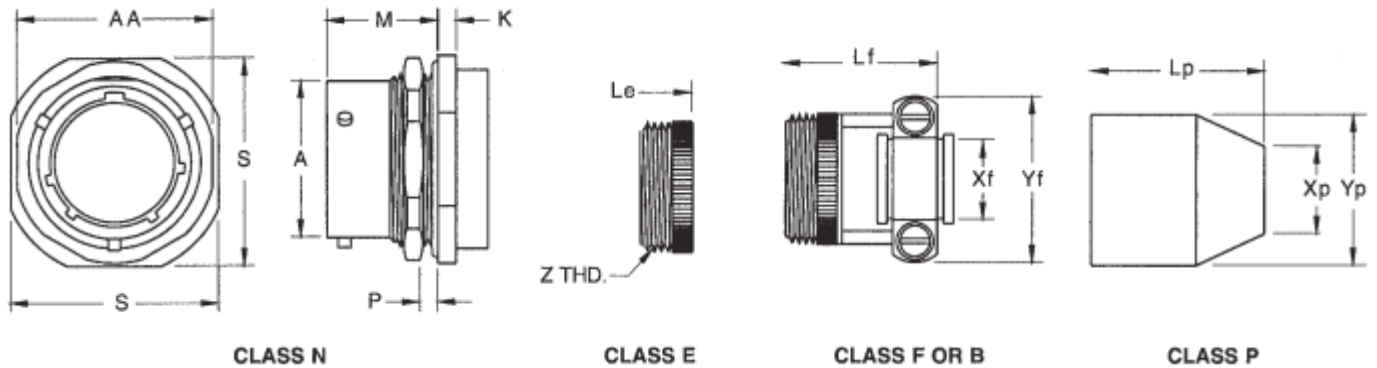
## Dimensions in Inches

SHELL SIZE	A±.003	K±.010	LMAX.	M+.031 -.000	N±.015	R(Tp)	SMAX.	T±.005
8	.471	.062	.978	.431	.438	.594	.828	.120
10	.588	.062	.978	.431	.558	.719	.954	.120
12	.748	.062	.978	.431	.688	.812	1.047	.120
14	.873	.062	.978	.431	.812	.906	1.141	.120
16	.998	.062	.978	.431	.938	.969	1.234	.120
18	1.123	.062	.978	.431	1.062	1.062	1.328	.120
20	1.248	.094	1.196	.556	1.188	1.156	1.453	.120
22	1.373	.094	1.196	.556	1.312	1.250	1.578	.120
24	1.498	.094	1.196	.589	1.438	1.375	1.703	.147

## Dimensions in Millimeters

SHELL SIZE	A±.076	K±.254	LMAX.	M+.787 -.000	N±.381	R(Tp)	SMAX.	T±.127
8	12.01	1.57	24.84	10.95	11.13	15.09	21.03	3.05
10	14.99	1.57	24.84	10.95	14.27	18.26	24.23	3.05
12	19.05	1.57	24.84	10.95	17.48	20.62	26.59	3.05
14	22.23	1.57	24.84	10.95	20.62	23.01	28.98	3.05
16	25.40	1.57	24.84	10.95	23.83	24.61	31.34	3.05
18	28.58	1.57	24.84	10.95	26.97	26.97	33.73	3.05
20	31.75	2.39	30.38	14.12	30.18	29.36	36.91	3.05
22	34.93	2.39	30.38	14.12	33.32	31.75	40.08	3.05
24	38.10	2.39	30.38	14.96	36.53	34.93	43.26	3.73

# Series PW07/MS 3114 Jam Nut Receptacle



Application: Jam Nut Mounting with O-ring to D-shaped Chassis Hole. See panel cutout dimensions on page 6. Suggested mates are PW06/MS3116 and PW08 styles. Note: L* = Total connector length including cable accessory.

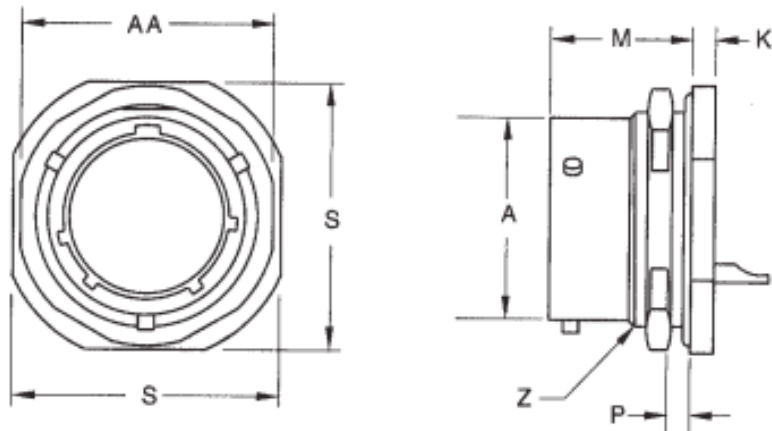
## Dimensions in Inches

SHELL SIZE	P														
	Xf MIN.	MIN.	MAX.	Xp MIN.	K±.020	Yf MAX.	Yp MAX.	Le MAX.	Lf MAX.	Lp MAX.	M+.031-.000	A±.003	AA MAX.	S MAX.	Z THREAD
8	.234	.062	.125	.317	.117	.828	.608	1.281	1.750	1.391	.691	.471	.767	.954	5/8-24 UNEF
10	.297	.062	.125	.434	.117	.891	.734	1.281	1.750	1.391	.691	.588	.892	1.078	3/4-20 UNEF
12	.422	.062	.125	.548	.117	1.016	.858	1.281	1.750	1.391	.691	.748	1.079	1.266	7/8-20 UNEF
14	.547	.062	.125	.673	.117	1.141	.984	1.281	1.750	1.391	.691	.873	1.205	1.391	1-20 UNEF
16	.609	.062	.125	.798	.117	1.203	1.110	1.281	1.875	1.391	.691	.998	1.329	1.516	1 1/8-18 UNEF
18	.734	.062	.125	.899	.117	1.469	1.234	1.281	1.875	1.391	.691	1.123	1.455	1.641	1 1/4-18 UNEF
20	.734	.062	.250	1.024	.148	1.469	1.360	1.531	2.125	1.641	.879	1.248	1.579	1.828	1 3/8-18 UNEF
22	.922	.062	.250	1.149	.148	1.656	1.484	1.531	2.125	1.641	.879	1.373	1.705	1.954	1 1/2-18 UNEF
24	.984	.062	.250	1.274	.148	1.750	1.610	1.593	2.187	1.703	.912	1.498	1.829	2.078	1 5/8-18 UNEF

## Dimensions in Millimeters

SHELL SIZE	P														
	Xf MIN.	MIN.	MAX.	Xp MIN.	K±.508	Yf MAX.	Yp MAX.	Le MAX.	Lf MAX.	Lp MAX.	M+.767-.000	A±.076	AA MAX.	S MAX.	Z THREAD
8	5.94	1.57	3.18	8.05	2.97	21.03	15.44	32.53	44.45	35.33	17.55	11.99	19.48	24.23	5/8-24 UNEF
10	7.54	1.57	3.18	11.02	2.97	22.63	18.64	32.53	44.45	35.33	17.55	14.94	22.66	27.38	3/4-20 UNEF
12	10.72	1.57	3.18	13.92	2.97	25.81	21.79	32.53	44.45	35.33	17.55	19.00	27.41	32.16	7/8-20 UNEF
14	13.89	1.57	3.18	17.09	2.97	29.98	24.99	32.53	44.45	35.33	17.55	22.17	30.61	35.33	1-20 UNEF
16	15.47	1.57	3.18	20.27	2.97	30.56	28.19	32.53	47.63	35.33	17.55	25.35	33.76	38.51	1 1/8-18 UNEF
18	18.64	1.57	3.18	22.83	2.97	37.31	31.34	32.53	47.63	35.33	17.55	28.52	36.96	41.68	1 1/4-18 UNEF
20	18.64	1.57	6.35	26.01	3.76	37.31	34.54	38.90	53.98	41.68	22.33	31.70	40.11	46.43	1 3/8-18 UNEF
22	23.42	1.57	6.35	29.18	3.76	42.06	39.69	38.90	53.98	41.68	22.33	34.87	43.31	49.63	1 1/2-18 UNEF
24	24.99	1.57	6.35	32.36	3.76	44.45	40.89	40.50	55.55	43.26	23.16	38.05	46.46	52.78	1 5/8-18 UNEF

# Series PW07A/C Jam Nut Receptacle



Note: Available in 2 Classes:  
 PW07A—Unsealed  
 PW07C—Air Pressure Seal

Specify "A" or "C" in part number.

Application: Jam Nut Mounting with O-ring to D-shaped Chassis Hole. See panel cutout dimensions on page 6. Suggested mates are PW06/MS3116 and PW08 styles. For printed circuit terminations, see page 7.

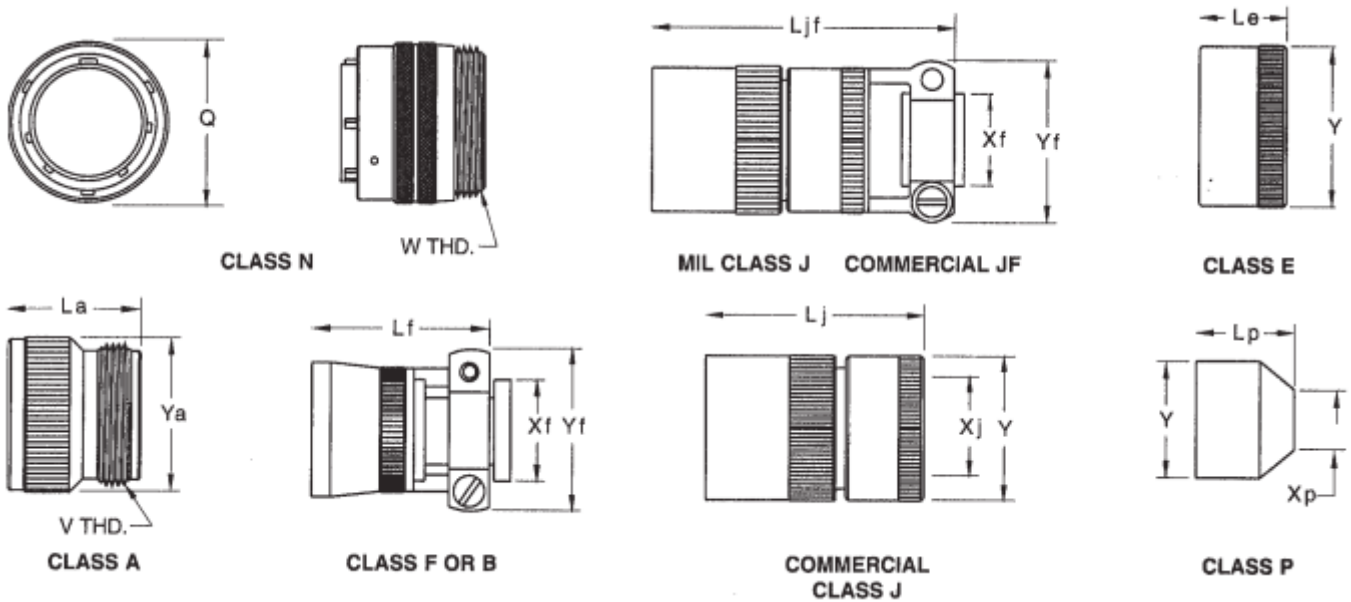
## Dimensions in Inches

SHELL SIZE	A±.003	AA MAX.	K±.020	M±.031 -.000	P MIN.	MAX.	S MAX.	Z THREAD
8	.471	.767	.117	.691	.062	.125	.954	9/16-24 UNEF
10	.588	.892	.117	.691	.062	.125	1.078	11/16-24 UNEF
12	.748	1.079	.117	.691	.062	.125	1.266	7/8-20 UNEF
14	.873	1.205	.117	.691	.062	.125	1.391	1-20 UNEF
16	.998	1.329	.117	.691	.062	.125	1.516	1 1/8-18 UNEF
18	1.123	1.455	.117	.691	.062	.125	1.641	1 1/4-18 UNEF
20	1.248	1.579	.148	.879	.062	.250	1.828	1 3/8-18 UNEF
22	1.373	1.705	.148	.879	.062	.250	1.954	1 1/2-18 UNEF
24	1.498	1.829	.148	.912	.062	.250	2.078	1 5/8-18 UNEF

## Dimensions in Millimeters

SHELL SIZE	A±.076	AA MAX.	K±.508	M±.787 -.000	P MIN.	MAX.	S MAX.	Z THREAD
8	11.99	19.48	2.97	17.55	1.57	3.18	24.23	9/16-24 UNEF
10	14.94	22.66	2.97	17.55	1.57	3.18	27.38	11/16-24 UNEF
12	19.00	27.41	2.97	17.55	1.57	3.18	32.16	7/8-20 UNEF
14	22.17	30.61	2.97	17.55	1.57	3.18	35.33	1-20 UNEF
16	25.35	33.76	2.97	17.55	1.57	3.18	38.51	1 1/8-18 UNEF
18	28.52	36.96	2.97	17.55	1.57	3.18	41.68	1 1/4-18 UNEF
20	31.70	40.11	3.76	22.33	1.57	6.35	46.43	1 3/8-18 UNEF
22	34.87	43.31	3.76	22.33	1.57	6.35	49.63	1 1/2-18 UNEF
24	38.05	46.46	3.76	23.16	1.57	6.35	52.78	1 5/8-18 UNEF

# Series PW06/MS3116 Straight Plug



Application: Straight Plug Connector; General Cable Coupling. Suggested mates are PW00/MS3110, PW01/MS3111, PW02/MS3112, PW07/MS3114 and PW09/MS3119 styles. Note: L* = Total connector length including cable accessory.

## Dimensions in Inches

SHELL SIZE	Xf MIN.	Xp MIN.	Xj MIN. CLOSED I.D.	MAX. CLOSED I.D.	YMAX.	Yf MAX.	Ya MAX.	Le MAX.	Lf MAX.	Lp MAX.	LjMAX.	La MAX.	Ljf MAX.	QMAX.	V THREAD	W THREAD
8	.234	.317	.168	.230	.608	.828	.590	1.281	1.828	1.500	1.781	1.609	2.271	.782	1/2-28 UNEF	7/16-28 UNEF
10	.297	.434	.205	.312	.734	.891	.717	1.281	1.828	1.500	1.781	1.609	2.271	.926	5/8-24 UNEF	9/16-24 UNEF
12	.422	.548	.338	.442	.858	1.016	.834	1.281	1.828	1.500	1.921	1.609	2.411	1.043	3/4-20 UNEF	11/16-24 UNEF
14	.547	.673	.416	.539	.984	1.141	.970	1.281	1.828	1.500	2.109	1.609	2.599	1.183	7/8-20 UNEF	13/16-20 UNEF
16	.609	.798	.550	.616	1.110	1.203	1.088	1.281	1.969	1.500	2.328	1.609	2.943	1.305	1-20 UNEF	15/16-20 UNEF
18	.734	.899	.600	.672	1.234	1.469	1.216	1.281	1.969	1.500	2.562	1.609	3.172	1.391	1 3/16-18 UNEF	1 1/16-18 UNEF
20	.734	1.024	.635	.747	1.360	1.469	1.332	1.453	2.141	1.609	3.000	1.656	3.610	1.531	1 3/16-18 UNEF	1 3/16-18 UNEF
22	.922	1.149	.670	.846	1.484	1.656	1.460	1.453	2.141	1.609	3.156	1.656	3.766	1.656	1 7/16-18 UNEF	1 5/16-18 UNEF
24	.984	1.274	.740	.894	1.610	1.750	1.585	1.510	2.219	1.687	3.375	1.750	3.985	1.777	1 7/16-18 UNEF	1 7/16-18 UNEF

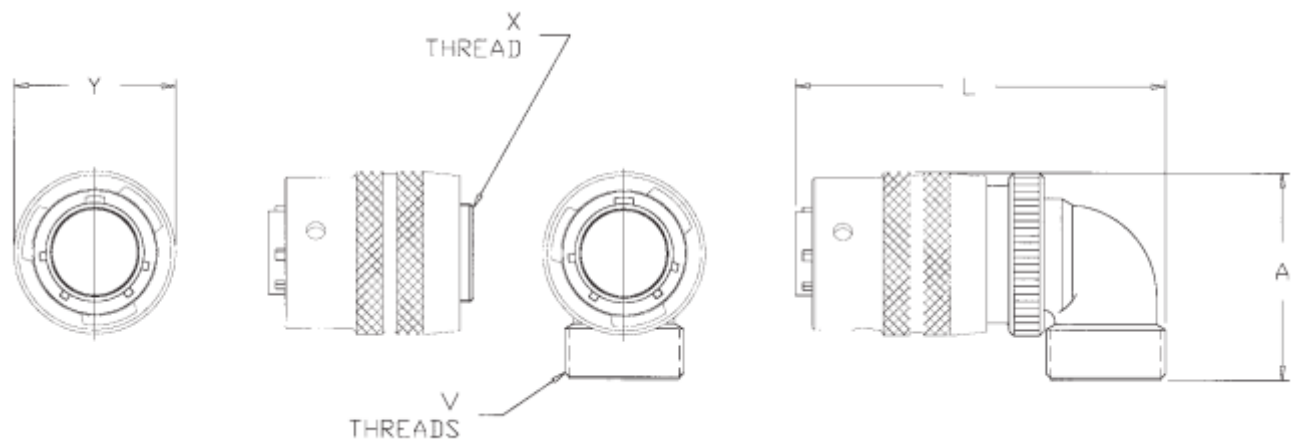
## Dimensions in Millimeters

SHELL SIZE	Xf MIN.	Xp MIN.	Xj MIN. CLOSED I.D.	MAX. CLOSED I.D.	YMAX.	Yf MAX.	Ya MAX.	Le MAX.	Lf MAX.	Lp MAX.	LjMAX.	La MAX.	Ljf MAX.	QMAX.	V THREAD	W THREAD
8	5.94	8.05	4.27	5.84	15.44	21.03	14.99	32.54	46.43	38.10	45.24	40.87	57.68	19.86	1/2-28 UNEF	7/16-28 UNEF
10	7.54	11.02	5.21	7.92	18.64	22.63	18.21	32.54	46.43	38.10	45.24	40.87	57.68	23.52	5/8-24 UNEF	9/16-24 UNEF
12	10.27	13.92	8.59	11.23	21.79	25.81	21.18	32.54	46.43	38.10	48.79	40.87	61.24	26.49	3/4-20 UNEF	11/16-24 UNEF
14	13.89	17.09	10.57	13.69	24.99	28.98	24.64	32.54	46.43	38.10	53.57	40.87	66.01	30.05	7/8-20 UNEF	13/16-20 UNEF
16	15.47	20.27	13.97	15.65	28.19	30.56	27.64	32.54	50.01	38.10	59.13	40.87	74.75	33.15	1-20 UNEF	15/16-20 UNEF
18	18.64	22.83	15.24	17.07	31.34	37.31	30.89	32.54	50.01	38.10	65.07	40.87	80.57	35.33	1 3/16-18 UNEF	1 1/16-18 UNEF
20	18.64	26.01	16.13	18.97	34.54	37.31	33.83	36.91	54.38	40.87	76.20	42.06	91.69	38.89	1 3/16-18 UNEF	1 3/16-18 UNEF
22	23.42	29.18	17.02	21.49	37.69	42.06	37.08	36.91	54.38	40.87	80.16	42.06	95.66	42.06	1 7/16-18 UNEF	1 5/16-18 UNEF
24	24.99	32.36	18.80	22.71	40.89	44.45	40.26	38.35	56.36	42.85	85.73	44.45	101.22	45.14	1 7/16-18 UNEF	1 7/16-18 UNEF





# Series PW08 90° Angle Plug



Application: 90° Cable Plug. Suggested mates are PW00/MS3110, PW01/MS3111, PW02/MS3112, PW07/MS3114 and PW09/MS3119 styles.

Note: L* = Total connector length including cable accessory.

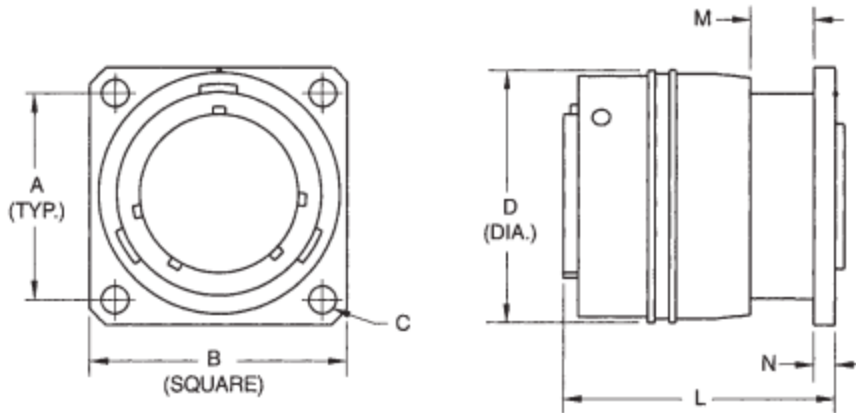
## Dimensions in Inches

SHELL SIZE	YMAX.	X THREAD CLASS 2A	V THREAD CLASS 2A	LREF.	AREF.
8	.782	7/16-28 UNEF	.5000-28 UNEF	1.644	1.157
10	.926	9/16-24 UNEF	.6250-24 UNEF	1.746	1.407
12	1.043	11/16-24 UNEF	.7500-20 UNEF	1.868	1.580
14	1.183	13/16-20 UNEF	.8750-20 UNEF	2.060	1.703
16	1.305	15/16-20 UNEF	1.0000-20 UNEF	2.227	1.865
18	1.391	1 1/16-18 UNEF	1.1875-18 UNEF	2.440	1.978
20	1.531	1 3/16-18 UNEF	1.1875-18 UNEF	2.694	2.191
22	1.656	1 5/16-18 UNEF	1.4375-18 UNEF	2.819	2.232
24	1.777	1 7/16-18 UNEF	1.4375-18 UNEF	2.979	2.372

## Dimensions in Millimeters

SHELL SIZE	YMAX.	V THREAD CLASS 2A	V THREAD CLASS 2A	LREF.	AREF.
8	19.86	7/16-28 UNEF	.5000-28 UNEF	41.76	29.39
10	23.52	9/16-24 UNEF	.6250-24 UNEF	44.35	35.74
12	26.49	11/16-24 UNEF	.7500-20 UNEF	47.45	40.13
14	30.05	13/16-20 UNEF	.8750-20 UNEF	52.32	43.26
16	33.15	15/16-20 UNEF	1.0000-20 UNEF	56.57	47.37
18	35.33	1 1/16-18 UNEF	1.1875-18 UNEF	61.98	50.24
20	38.89	1 3/16-18 UNEF	1.1875-18 UNEF	68.43	55.65
22	42.06	1 5/16-18 UNEF	1.4375-18 UNEF	71.60	56.69
24	45.14	1 7/16-18 UNEF	1.4375-18 UNEF	75.67	60.25

# Series PW09 Flange Mount Plug



Application: Flange Mount Plug. Suggested mate is PW01/MS3111 style.

Note: Consult with factory for PC terminated versions.

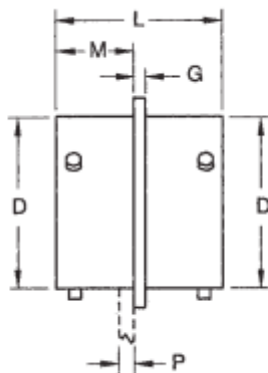
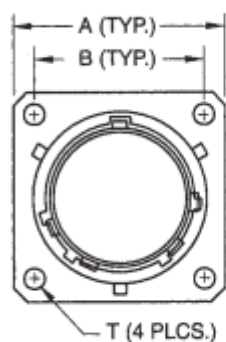
## Dimensions in Inches

SHELL SIZE	A(TP)	BMAX.	C±.005	DMAX.	L±.005	MMIN.	N±.005
8	.594	.828	.120	.782	1.060	.014	.065
10	.719	.954	.120	.926	1.060	.014	.065
12	.812	1.047	.120	1.043	1.060	.031	.065
14	.906	1.141	.120	1.183	1.060	.031	.065
16	.969	1.234	.120	1.305	1.060	.031	.065
18	1.062	1.328	.120	1.391	1.060	.050	.065
20	1.156	1.453	.120	1.531	1.060	.050	.100
22	1.250	1.578	.120	1.656	1.060	.050	.100
24	1.375	1.703	.147	1.777	1.060	.050	.100

## Dimensions in Millimeters

SHELL SIZE	A(TP)	BMAX.	C±.127	DMAX.	L±.762	MMIN.	N±.127
8	15.09	21.03	3.05	19.86	26.92	.36	1.65
10	18.26	24.23	3.05	23.52	26.92	.36	1.65
12	20.62	26.59	3.05	26.49	26.92	.79	1.65
14	23.01	28.98	3.05	30.05	26.92	.79	1.65
16	24.61	31.34	3.05	33.15	26.92	.79	1.65
18	26.97	33.73	3.05	35.33	26.92	1.27	1.65
20	29.36	36.91	3.05	38.39	26.92	1.27	2.54
22	31.75	40.08	3.05	42.06	26.92	1.27	2.54
24	34.93	43.26	3.73	45.14	26.92	1.27	2.54

# Series PWB Thru-Bulkhead Receptacle/(MS3119 Commercial)



P = Panel Thickness  
(see page 6)

Application: Thru-Bulkhead.  
Suggested mates are PW06/  
MS3116 and PW08 styles.

The socket end of the insert  
always appears at the "M"  
dimension end of shell.

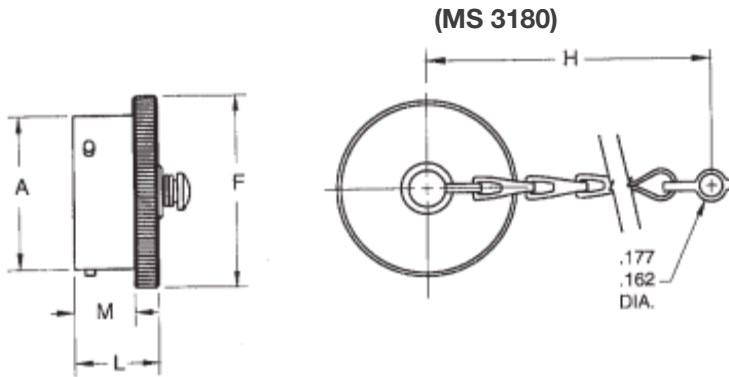
## Dimensions in Inches

SHELL SIZE	AMAX.	BTP	D±.003	G±.016	LMAX.	M+.031 -.000	T±.005
8	.828	.594	.471	.062	1.125	.562	.120
10	.954	.719	.588	.062	1.125	.562	.120
12	1.047	.812	.748	.062	1.125	.562	.120
14	1.141	.906	.873	.062	1.125	.562	.120
16	1.234	.969	.998	.062	1.125	.562	.120
18	1.328	1.062	1.123	.062	1.125	.562	.120
20	1.453	1.156	1.248	.094	1.406	.688	.120
22	1.578	1.250	1.373	.094	1.406	.688	.120
24	1.703	1.375	1.498	.094	1.406	.688	.147

## Dimensions in Millimeters

SHELL SIZE	AMAX.	BTP	D±.076	G±.406	LMAX.	M+.787 -.000	T±.127
8	21.03	15.09	11.96	1.57	25.58	14.27	3.05
10	24.23	18.26	14.94	1.57	25.58	14.27	3.05
12	26.59	20.62	19.00	1.57	25.58	14.27	3.05
14	28.98	23.01	22.17	1.57	25.58	14.27	3.05
16	31.34	24.61	25.35	1.57	25.58	14.27	3.05
18	33.73	26.97	28.52	1.57	25.58	14.27	3.05
20	36.91	29.36	31.70	2.39	35.71	17.48	3.05
22	40.08	31.75	34.87	2.39	35.71	17.48	3.05
24	43.26	34.93	38.05	2.39	35.71	17.48	3.73

# PW80/MS3180 and PW81/MS3181 Protective Caps



Part No. PW80-** or MS3180-***= "Dash Number"

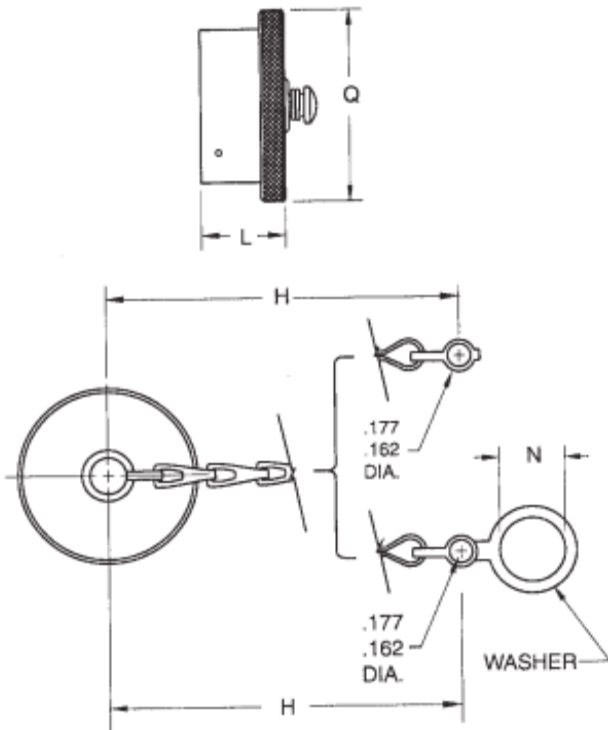
## Dimensions in Inches

SHELL SIZE	DASH NO.		A +.001 -.005	F MAX.	H ±.25	L MAX.	M ±.010
	WITHOUT CHAIN	WITH CHAIN					
8	G1	G11	.473	.719	3.00	.562	.378
10	G2	G12	.590	.844	3.00	.562	.378
12	G3	G13	.750	1.000	3.50	.562	.378
14	G4	G14	.875	1.125	3.50	.562	.378
16	G5	G15	1.000	1.250	3.50	.562	.378
18	G6	G16	1.125	1.375	3.50	.562	.378
20	G7	G17	1.250	1.500	4.00	.625	.440
22	G8	G18	1.375	1.625	4.00	.625	.440
24	G9	G19	1.500	1.750	4.00	.658	.473

## Dimensions in Millimeters

SHELL SIZE	DASH NO.		A +.03 -.13	F MAX.	H ±6.35	L MAX.	M ±.25
	WITHOUT CHAIN	WITH CHAIN					
8	G1	G11	12.01	18.28	76.20	14.27	9.60
10	G2	G12	14.98	21.41	76.20	14.27	9.60
12	G3	G13	19.05	25.40	88.90	14.27	9.60
14	G4	G14	22.21	28.58	88.90	14.27	9.60
16	G5	G15	25.40	31.75	88.90	14.27	9.60
18	G6	G16	28.58	34.93	88.90	14.27	9.60
20	G7	G17	31.75	38.10	101.60	15.87	11.17
22	G8	G18	34.93	41.28	101.60	15.87	11.17
24	G9	G19	38.10	44.45	101.60	16.71	12.01

(MS 3181)



Part No. PW81-** or MS3181-***= "Dash Number"

## Dimensions in Inches

SHELL SIZE	DASH NO.			H	L MAX.	N MIN.	Q MAX.
	WITHOUT CHAIN	WITH CHAIN	WITH CHAIN & WASHER				
8	G1	G11	G21	3.00	.562	.578	.719
10	G2	G12	G22	3.00	.562	.703	.812
12	G3	G13	G23	3.50	.562	.891	1.000
14	G4	G14	G24	3.50	.562	1.016	1.125
16	G5	G15	G25	3.50	.562	1.141	1.250
18	G6	G16	G26	3.50	.562	1.266	1.375
20	G7	G17	G27	4.00	.562	1.391	1.500
22	G8	G18	G28	4.00	.562	1.516	1.625
24	G9	G19	G29	4.00	.602	1.641	1.750

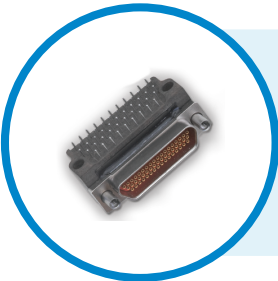
## Dimensions in Millimeters

SHELL SIZE	DASH NO.			H	L MAX.	N MIN.	Q MAX.
	WITHOUT CHAIN	WITH CHAIN	WITH CHAIN & WASHER				
8	G1	G11	G21	76.20	14.27	14.68	18.26
10	G2	G12	G22	76.20	14.27	17.86	20.64
12	G3	G13	G23	88.90	14.27	22.63	25.40
14	G4	G14	G24	88.90	14.27	25.80	28.58
16	G5	G15	G25	88.90	14.27	28.98	31.75
18	G6	G16	G26	88.90	14.27	32.15	34.93
20	G7	G17	G27	101.60	14.27	35.33	38.10
22	G8	G18	G28	101.60	14.27	38.50	41.28
24	G9	G19	G29	101.60	15.29	41.68	44.45

# Other Quality Connectors



QPL'd MIL-C-5015 & Special Connectors  
for Commercial Applications



Dura-Con  
Microminiature-D Connectors



QPL'd MIL-C-26482 Series I  
Solder and Crimp Connectors



Quick Disconnect Connectors  
Solder and Crimp Types



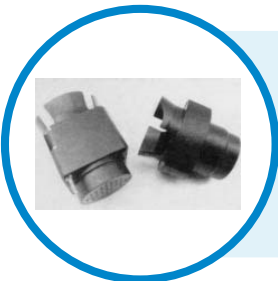
Buffet/Galley Connectors  
Solder and Crimp Connectors



Expanded Beam Fiber  
Optics



Filtered Connectors  
Solder and Crimp Connectors



Special Cryogenic  
Connectors



Omega  
MIL-C-26500 - Cylindrical Connectors



Rugged Acme Thread  
Connectors  
for Industrial Electrical Equipment



## Proven Excellence

In operation since 1917, Cinch supplies high quality, high performance connectors and cables globally to the Aerospace, Military/Defense, Commercial Transportation, Oil & Gas, High End Computer, and other markets. We provide custom solutions with our creative, hands on engineering and end to end approach.

Our diverse product offerings include: connectors, enclosures and cable assemblies utilizing multiple contact technologies including copper and fiber optics. Our product engineering and development activities employ cutting edge technologies for design and modeling, and our various technologies and expertise enable us to deliver custom solutions and products for our strategic partnerships. We also serve a broad range of commercial markets, largely through our highly efficient distribution network.

We aim to exceed our customer's expectations, and to continually provide innovative solutions to the rapidly changing needs of the markets, and customers, we serve.



**Asia Pacific**  
+86 21 5442 7668  
ccs.asia.sales@as.cinch.com

**Europe, Middle East & Africa**  
+44 (0) 1245 342060  
CinchConnectivity@eu.cinch.com

**North America**  
+1 507.833.8822  
ccsorders@us.cinch.com

[belfuse.com/cinch](http://belfuse.com/cinch)



## X-ON Electronics

Largest Supplier of Electrical and Electronic Components

*Click to view similar products for [Circular MIL Spec Connector](#) category:*

*Click to view products by [Bel Fuse](#) manufacturer:*

Other Similar products are found below :

[0025-262-542](#) [0025-264-3014](#) [58-570121-04S](#) [0134-202-1200](#) [0134-207-1206](#) [0134-207-1800](#) [0134-207-2207](#) [0134-213-0806](#) [0134-213-1007](#) [0134-213-1009](#) [0134-213-1208](#) [0134-213-1800](#) [0134-213-2209](#) [0025-258-000](#) [015-9516-002](#) [60-042217-10P](#) [60-042722-19P](#) [0114-201-1278](#) [602GB06EG24-61SN](#) [0134-201-1207](#) [0134-201-1806](#) [0134-201-2006](#) [0134-201-2007](#) [0134-201-2010](#) [0134-202-1400](#) [0134-207-0809](#) [0134-207-1208](#) [0134-207-2009](#) [0134-213-1006](#) [6104-207-2302](#) [6104-208-1902](#) [6104-215-0902](#) [6131-202-19149P](#) [6131-204-21149P](#) [6131-207-13149P](#) [6131-208-13149P](#) [6131-209-17149P](#) [6131-210-11149P](#) [6131-211-19149P](#) [6131-216-19149P](#) [6131-220-25149P](#) [6131-259-11149P](#) [6131-259-21149P](#) [6131-259-23149P](#) [6131-263-19149P](#) [6131-265-17149P](#) [6131-265-19149P](#) [CS3102A-20-15P](#) [CS3102A-20-15S](#) [CS3102A-28-15S](#)