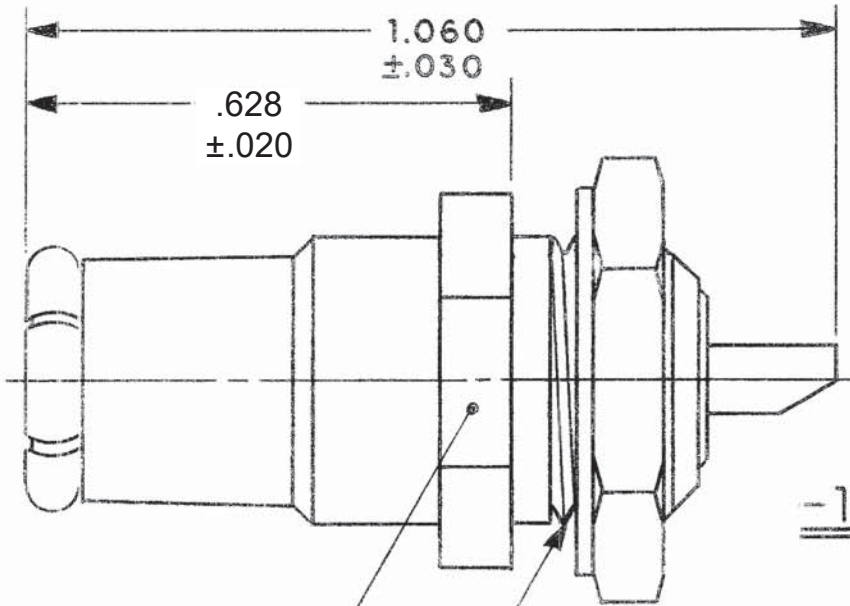


DATA CONTAINED IN THIS DOCUMENT IS PROPRIETARY TO TROMPETER ELECTRONICS INC. AND SHALL NOT BE DISCLOSED, COPIED OR USED FOR PROCUREMENT OR MANUFACTURE WITHOUT EXPRESS WRITTEN PERMISSION.

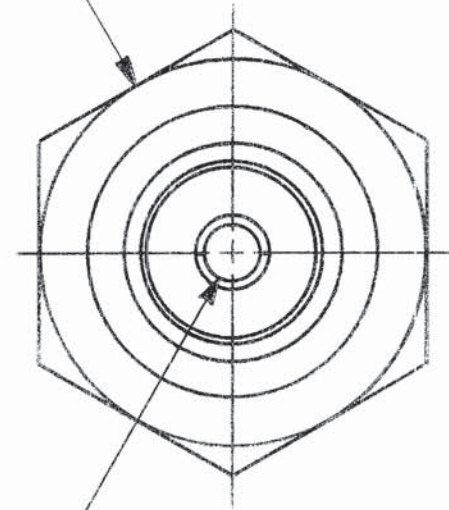
DASH NO	MODEL NO	IMPED OHMS
-1	PL121	50
-2	UFL121	75

INCH	MM
.005	0.13
.030	0.76
.068	1.73
.093	2.36
.380	9.65
.437	11.10
.500	12.70
.628	15.95
1.060	26.92

REVISIONS			105-0414		SH 1
REV	EO	DESCRIPTION	DWN	APPROVED	DATE
C	6533	REV & REDWN	RJS	<i>DC</i>	9-11-84
D	6747	'D' FLAT DELETED	MRH	<i>DC</i>	4-25-85
E	7899	ITEM 2 P/N WAS 8000-1295 ①, DWG NO WAS 1005-0414	DKC	<i>ES/PM</i>	1-20-85



.500 HEX NUT

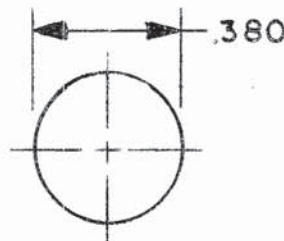


SOLDER POT ACCEPTS
.068 DIA CONDUCTOR

.437 WRENCH FLATS

.375-32UNEF-2A

-1 SHOWN



RECOMMENDED
PANEL CUTOUT
SCALE: 2/1

4. MAX PNL THK .093
3. 50 & 75 OHM COAXIAL BULKHEAD MOUNT PUSH-ON SOLDER POT PLUG, BNC INTERFACE
2. FINISH: NICKEL
1. ALL DIM ARE IN INCHES

QTY	DESCRIPTION		PART NUMBER	ITEM
TOL UNLESS SPECIFIED		TROMPETER	PL121/UPL121	
.XX	±			
.XXX	± .005			
.XXX ±		ELECTRONICS, INC.	DRAWING NO.	REV
ANGLES ±				
DWN	RJS	9-3-84	MATERIAL	CODE IDENT
CHK	DC	9-10-84	—	14949
ENGR	<i>DM</i>	9-14-84	DATE	1-15-74
APPR	<i>DC</i>	9-14-84	SCALE	4/1
NEXT ASSY		DATE	1-15-74	SHEET 1 OF 2

X-ON Electronics

Largest Supplier of Electrical and Electronic Components

Click to view similar products for [RF Connectors / Coaxial Connectors](#) category:

Click to view products by [Bel Fuse](#) manufacturer:

Other Similar products are found below :

[8915-1511-000](#) [89674-0827](#) [6001-7071-019](#) [6002-7051-003](#) [6002-7551-202](#) [6059674-1](#) [619550-1](#) [630059-000](#) [M39030/3-01N](#) [6500-7071-046](#) [6769](#) [CX050L2AQ](#) [7002-1541-010](#) [7002-1542-011](#) [7004-1512-000](#) [7009-1511-004](#) [7010-1511-000](#) [7029-1511-060](#) [7101-1541-010](#) [7101-1571-002](#) [7145-1521-002](#) [7203-1571-003](#) [7209-1511-011](#) [7210-1511-015](#) [7210-1511-019](#) [73137-5015](#) [73216-2241](#) [73404-2300](#) [7405-1521-005](#) [7405-1521-802](#) [8527](#) [8547](#) [FS11V](#) [877931](#) [8808-1511-001](#) [9049-9513-000](#) [9074-9513-000](#) [9101-9573-002](#) [910A205F](#) [9130-9573-002](#) [PL11SC-026](#) [PL375-33](#) [PL40-5](#) [PL74C-221](#) [PL75MC-217](#) [PL803-7](#) [980-8666-005](#) [1200690078](#) [1-201144-1](#) [R107003010W](#)