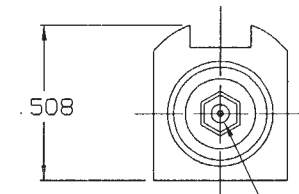
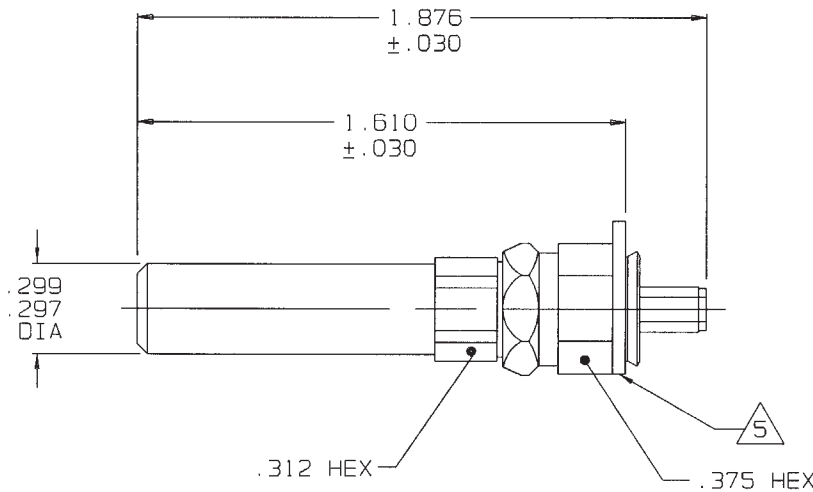


DASH NO	CABLE ACCOMMODATED	A HEX
-009	8218, BELDEN 21-597, ESSEX YR23023, BELDEN	.178
-013A	TCC-75-2 8241F, BELDEN	.255
-014	8212, BELDEN	.255
-025	734A TYPE	
-026	735A TYPE	
-027	KS19224L2 LUCENT	.178

DATA CONTAINED IN THIS DOCUMENT IS PROPRIETARY TO TROMPETER ELECTRONICS INC. AND SHALL NOT BE DISCLOSED, COPIED OR USED FOR PROCUREMENT OR MANUFACTURE WITHOUT EXPRESS WRITTEN PERMISSION OF TROMPETER ELECTRONICS INC.

REVISIONS		PLIMWLT	SH 1
REV	DESCRIPTION	DATE	APPROVED
A	PRODUCTION RELEASE		

RED INDICATES ORIGINAL



CABLE ENTRY

MODEL NO.	TEI P/N
PLIMWLT	1-0604

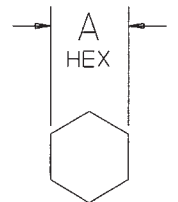
5 PLATE TO ROTATE FREELY AFTER WITHSTANDING AN AXIAL FORCE OF 25 LBS IN THE DIRECTION OF THE CABLE ENTRY

4 ASSEMBLE IAW TAI-200 EXCEPT INSTALL NUT ASSY OVER CABLE PRIOR TO TERMINATING CONNECTOR

3 SEE TABLE FOR CABLE ACCOMMODATED


2. 75 OHM COAXIAL MINIATURE TOOL CRIMP PATCH PLUG, IN STANDARD CRIMP DESIGN, WITH ENTRY BUSHING

1. FINISH: TFS-1B (2G-GOLD)



RECOMMENDED
HEX CRIMP

OUTLINE DRAWING

INTERPRET DRAWING PER MIL-STD-100 DIMENSIONS ARE IN INCHES AND INCLUDE FINISH THICKNESS UNLESS OTHERWISE SPECIFIED		TOL: UNLESS SPECIFIED .XX ± .02 .XXX ± .010 .XXXX ± .010		 © cinch connectivity solutions brand			
DRAWN PD	DATE 1-10-02	MATERIAL:				TITLE: 75 OHM PATCH PLUG, STANDARD CRIMP DESIGN	
CHECKED		FINISH:		SIZE	CAGE CODE	DRAWING NO.	REV.
QUALITY	1-17-02			A	14949	PLIMWLT	A
MANIF	1/17/02	DO NOT SCALE DWG		SCALE	DATE	SHEET	OF
APPROVED	1/16/02			2/1	1-17-02	1	1
CAD FILE NO.	PLIMWLT.PRT						

NEXT ASSY

X-ON Electronics

Largest Supplier of Electrical and Electronic Components

Click to view similar products for [RF Connectors / Coaxial Connectors](#) category:

Click to view products by [Bel Fuse](#) manufacturer:

Other Similar products are found below :

[8915-1511-000](#) [89674-0827](#) [6001-7071-019](#) [6002-7051-003](#) [6002-7551-202](#) [6059674-1](#) [619550-1](#) [630059-000](#) [M39030/3-01N](#) [6500-7071-046](#) [6769](#) [CX050L2AQ](#) [7002-1541-010](#) [7002-1542-011](#) [7004-1512-000](#) [7009-1511-004](#) [7010-1511-000](#) [7029-1511-060](#) [7101-1541-010](#) [7101-1571-002](#) [7145-1521-002](#) [7203-1571-003](#) [7209-1511-011](#) [7210-1511-015](#) [7210-1511-019](#) [73137-5015](#) [73216-2241](#) [73404-2300](#) [7405-1521-005](#) [7405-1521-802](#) [8527](#) [8547](#) [FS11V](#) [877931](#) [8808-1511-001](#) [9049-9513-000](#) [9074-9513-000](#) [9101-9573-002](#) [910A205F](#) [9130-9573-002](#) [PL11SC-026](#) [PL375-33](#) [PL40-5](#) [PL74C-221](#) [PL75MC-217](#) [PL803-7](#) [980-8666-005](#) [1200690078](#) [1-201144-1](#) [R107003010W](#)