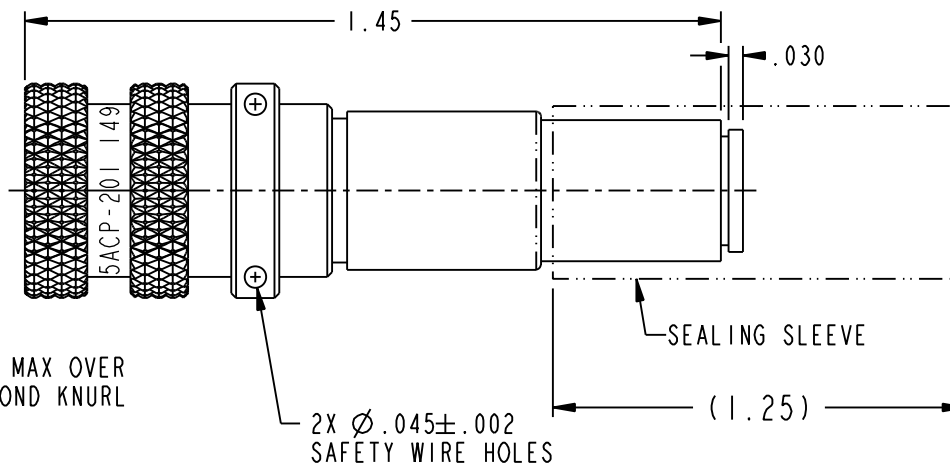
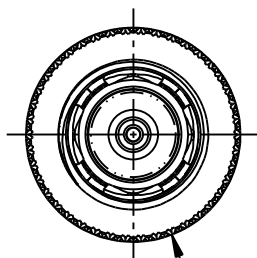
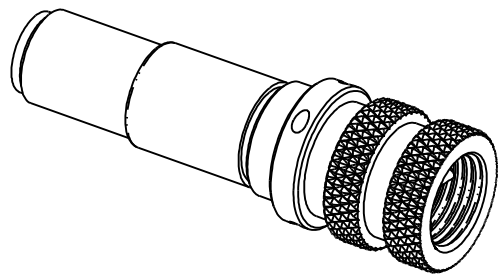


TABLE 1				
MODEL NO.	INTERMEDIATE CONTACT	CENTER CONTACT	INTERFACE PER	ASSEMBLE PER
PL3455ACP-XXX	PIN	SOCKET	SPC-09500-43-43	TAI-162
PL3455ACP-303				TAI-190
PL3455ACS-XXX	SOCKET	PIN	SPC-09500-43-42	TAI-162
PL3455ACS-303				TAI-190

TABLE 2	
CABLE GROUP	CABLES ACCOMMODATED
-201	M17/176-00002
-202	TWC-78-1, TROMPETER
-203	TWC-124-1A, TROMPETER
-204	10602, RAYCHEM
-205	TWAC-78-1F2, TROMPETER
-206	7826D0130, RAYCHEM
-208	202-3927, MICRODOT
-209	202-3942, MICRODOT
-212	2524E0114, RAYCHEM

TABLE 2 (CONT)	
CABLE GROUP	CABLES ACCOMMODATED
-217	GC875TM24H, GRUMMAN
-218	EPD22188B, RAYCHEM
-219	2526D1114, RAYCHEM
-220	GC875RRI, GRUMMAN
-221	10614, RAYCHEM
-222	10613, RAYCHEM
-223	HMS2-1149, HUGHES
-303	7528A5314, RAYCHEM



NOTES: UNLESS OTHERWISE SPECIFIED.

1. MATERIAL & FINISH:

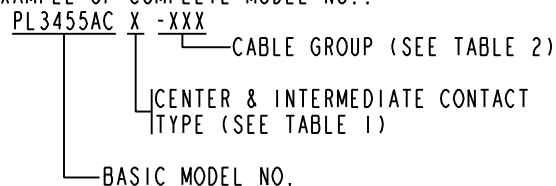
- 1.1 BODY, COUPLING SLEEVE & CRIMP BUSHING: NICKEL PLATED BRASS
- 1.2 INSULATOR, PTFE (TEFLON)
- 1.3 INTERMEDIATE CONTACT: GOLD PLATED BERYLLIUM COPPER
- 1.4 DIELECTRIC: PTFE (TEFLON)
- 1.5 CENTER CONTACT:
 - 1.5.1 PIN: GOLD PLATED BRASS
 - 1.5.2 SOCKET: GOLD PLATED BERYLLIUM COPPER
- 1.6 GASKET: SILICONE RUBBER

2. ELECTRICAL:

- 2.1 IMPEDANCE: NON-CONSTANT
- 2.2 SIGNALING: DIGITAL PER MIL-STD-1553

- 3. SEALING SLEEVE AND CRIMP BUSHING SUPPLIED LOOSE, EXCEPT -205, -208 & -223 NO SEALING SLEEVE SUPPLIED.

4. EXAMPLE OF COMPLETE MODEL NO.:



PL3455ACP-201 SHOWN

<p>This PROPRIETARY Document is property of Cinch Connectivity Solutions. It is confidential in nature, non-transferable, and issued with the clear understanding that it is no traced or copied without permission and is returnable upon demand.</p> <p>INTERPRET DRAWING IN ACCORDANCE WITH ASME Y14.5-2009.</p>	<p>3RD ANGLE PROJECTION</p>	<p>TROMPETER</p>	
	<p>RoHS2</p> <p>2011/65/EU</p> <p>UNLESS OTHERWISE SPECIFIED UNITS: INCH</p> <p>.XX ±.02</p> <p>.XXX ±.010</p> <p>ANGLES ±2°</p>	<p>Title: 3450 SERIES CABLE PLUG, TOOL CRIMP, PIN/SOCKET OR SOCKET/PIN</p> <p>Model No. PL3455ACX-XXX</p>	<p>Size A</p> <p>DO NOT SCALE DRAWING</p>

X-ON Electronics

Largest Supplier of Electrical and Electronic Components

Click to view similar products for [RF Connectors / Coaxial Connectors](#) category:

Click to view products by [Bel Fuse](#) manufacturer:

Other Similar products are found below :

[8915-1511-000](#) [89674-0827](#) [6001-7071-019](#) [6002-7051-003](#) [6002-7551-202](#) [6059674-1](#) [619550-1](#) [630059-000](#) [M39030/3-01N](#) [6500-7071-046](#) [6769](#) [CX050L2AQ](#) [7002-1541-010](#) [7002-1542-011](#) [7004-1512-000](#) [7009-1511-004](#) [7010-1511-000](#) [7029-1511-060](#) [7101-1541-010](#) [7101-1571-002](#) [7145-1521-002](#) [7203-1571-003](#) [7209-1511-011](#) [7210-1511-015](#) [7210-1511-019](#) [73137-5015](#) [73216-2241](#) [73404-2300](#) [7405-1521-005](#) [7405-1521-802](#) [8527](#) [8547](#) [FS11V](#) [877931](#) [8808-1511-001](#) [9049-9513-000](#) [9074-9513-000](#) [9101-9573-002](#) [910A205F](#) [9130-9573-002](#) [PL11SC-026](#) [PL375-33](#) [PL40-5](#) [PL74C-221](#) [PL75MC-217](#) [PL803-7](#) [980-8666-005](#) [1200690078](#) [1-201144-1](#) [R107003010W](#)