

DISK #	DWG SIZE	DATA CONTAINED IN THIS DOCUMENT IS PROPRIETARY TO TROMPETER ELECTRONICS INC. AND SHALL NOT BE DISCLOSED, COPIED OR USED FOR PROCUREMENT OR MANUFACTURE WITHOUT EXPRESS WRITTEN PERMISSION.
K 1	C	

REVISONS			310-0067	SH 1	
REV	EO	DESCRIPTION	DWN	APPROVED	DATE
F	10054	PICTORIALLY CHANGED 1.00 FLARED SEALING SLEEVE TO STRAIGHT (1.25) LONG SEALING SLEEVE; GENERAL UPDATE	DKC	<i>DKC</i>	12/13/92

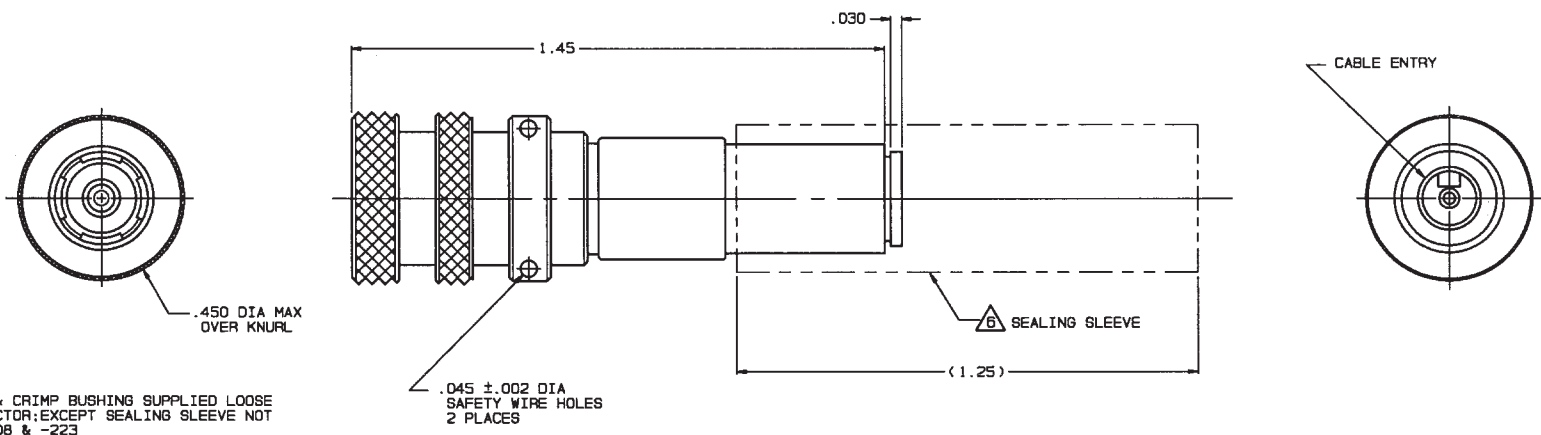
TABLE 1

DASH NO	MODEL NO	CENTER CONTACT/INTMD CONTACT TYPE
-1	PL3455AC P	SOCKET/PIN
-2	PL3455AC S	PIN/SOCKET

TABLE 2

CABLE GROUP NO	CABLES ACCOMMODATED	ASSEMBLE PER	
-201	M17/176-00002	TAI-162	
-202	TWC-78-1, TROMPETER		
-203	TWC-124-1A, TROMPETER		
-204	10602, RAYCHEM		
-205	TWAC-78-1F2, TROMPETER		
-206	782600130, RAYCHEM		
-208	202-3927, MICRODOT		
-209	202-3942, MICRODOT		
-212	2524E0114, RAYCHEM		
-217	GC875TM24H, GRUMMAN		
-218	EPD22188B, RAYCHEM		
-219	2526D1114, RAYCHEM		
-220	GC875RR1, GRUMMAN		
-221	10614, RAYCHEM		
-222	10613, RAYCHEM		
-223	HMS2-1149, HUGHES		
-303	7528A5314, RAYCHEM		TAI-190

INCH	MM
.002	0.05
.005	0.13
.030	0.76
.045	1.14
.255	6.48
.450	11.43
1.25	31.75
1.45	36.83



△ SEALING SLEEVE & CRIMP BUSHING SUPPLIED LOOSE WITH EACH CONNECTOR; EXCEPT SEALING SLEEVE NOT USED ON -205, -208 & -223

5. EXAMPLE OF COMPLETE MODEL NO:
 PL3455AC P -201
 BASIC MODEL NO ————
 CABLE GROUP NO (SEE TABLE 2)
 CENTER & INTERMEDIATE CONTACT TYPE (SEE TABLE 1)

4. EXAMPLE OF COMPLETE PART NO:
 310-0067 - 1 - 201
 BASIC PART NO ————
 DASH NO (SEE TABLE 1)
 CABLE GROUP NO (SEE TABLE 2)

- 3. CONCENTRIC TWINAX 4 PIECE ASSY, FULL CRIMP CABLE PLUG, SOCKET CENTER CONTACT AND PIN INTERMEDIATE CONTACT OR PIN CENTER CONTACT AND SOCKET INTERMEDIATE CONTACT
- 2. TFS-1U (500 HRS SALT SPRAY; NICKEL)
- 1. ALL DIM ARE IN INCHES

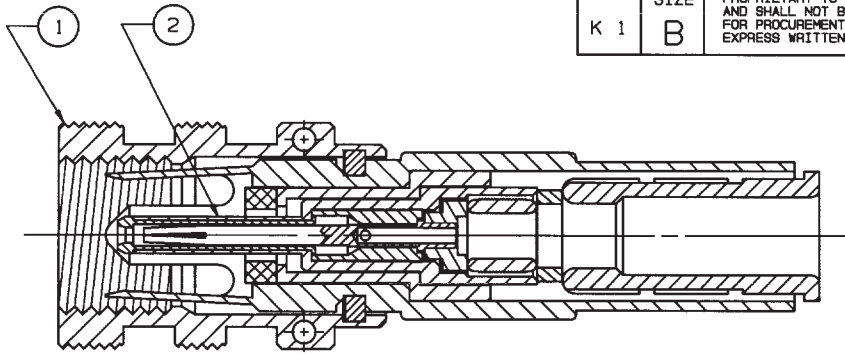
-1 -202 SHOWN



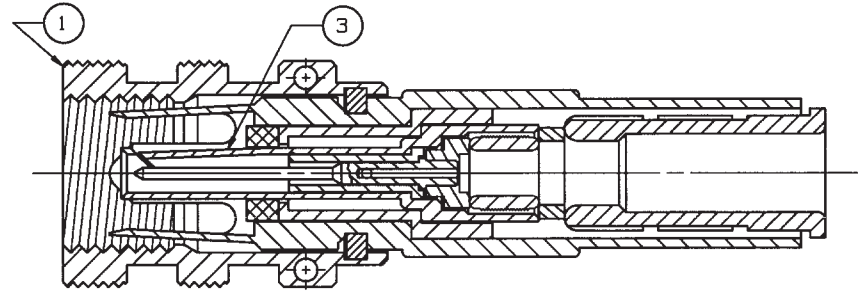
QTY	DESCRIPTION	PART NUMBER	ITEM
TOL UNLESS SPECIFIED .XX ± .03 .XXX ± .005 .XXXX ± ANGLES:	TROMPETER RF connectivity	PL3455ACP/S	
DWN DKC 12-3-92	MATERIAL CODE IDENT	DRAWING NO.	REV
CHK <i>DKC</i>	14949	310-0067	F
ENGR			
APPR <i>DKC</i> 12/29/92	SCALE 4/1	DATE 10-7-87	SHEET 1 OF 2

RED INDICATES ORIGINAL

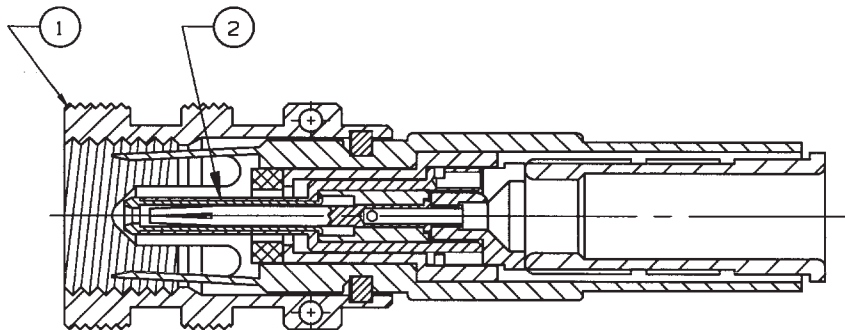
DISK # K 1	DWG SIZE B	DATA CONTAINED IN THIS DOCUMENT IS PROPRIETARY TO TROMPETER ELECTRONICS INC. AND SHALL NOT BE DISCLOSED, COPIED OR USED FOR PROCUREMENT OR MANUFACTURE WITHOUT EXPRESS WRITTEN PERMISSION.	REVISIONS			310-0067		SH 2
			REV	EO	DESCRIPTION	DWN	APPROVED	DATE



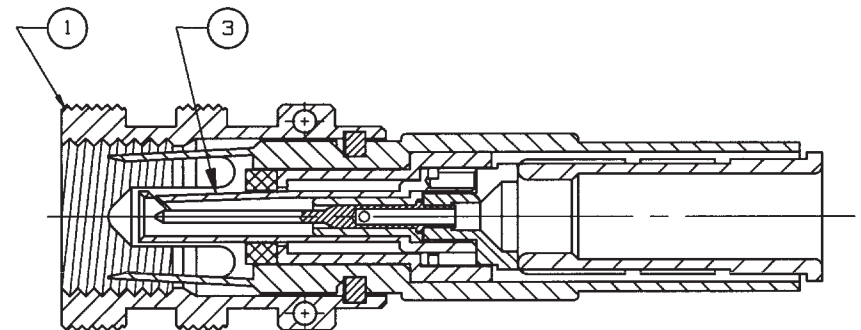
-1-303 SHOWN



-2-303 SHOWN



-1-221 SHOWN



-2-221 SHOWN

1 DASH NO SAME AS CABLE GROUP NO

1	SP450AC - 1			8-2496-	1		3
1	PS450AC - 1			8-2495-	1		2
1	1	BODY ASSY. PL3455AC - 1		8-2554-	1		1
		DESCRIPTION		PART NUMBER			ITEM
-2	-1	TOL UNLESS SPECIFIED .XX ± .XXX ± .XXXX ± ANGLES ±				PL3455ACP/S	
DWN	DKC	12-3-92	MATERIAL	CODE IDENT	DRAWING NO.		REV
CHK	DKG	12/4/92		14949	310-0067		F
ENGR							
APPR	KJ	12/29/92	SCALE 4/1	DATE 10-7-87		SHEET 2	

NEXT ASSY

X-ON Electronics

Largest Supplier of Electrical and Electronic Components

Click to view similar products for [RF Connectors / Coaxial Connectors](#) category:

Click to view products by [Bel Fuse](#) manufacturer:

Other Similar products are found below :

[8915-1511-000](#) [89674-0827](#) [6001-7071-019](#) [6002-7051-003](#) [6002-7551-202](#) [6059674-1](#) [619550-1](#) [630059-000](#) [M39030/3-01N](#) [6500-7071-046](#) [6769](#) [CX050L2AQ](#) [7002-1541-010](#) [7002-1542-011](#) [7004-1512-000](#) [7009-1511-004](#) [7010-1511-000](#) [7029-1511-060](#) [7101-1541-010](#) [7101-1571-002](#) [7145-1521-002](#) [7203-1571-003](#) [7209-1511-011](#) [7210-1511-015](#) [7210-1511-019](#) [73137-5015](#) [73216-2241](#) [73404-2300](#) [7405-1521-005](#) [7405-1521-802](#) [8527](#) [8547](#) [FS11V](#) [877931](#) [9049-9513-000](#) [9074-9513-000](#) [9101-9573-002](#) [910A205F](#) [9130-9573-002](#) [PL11SC-026](#) [PL375-33](#) [PL40-5](#) [PL74C-221](#) [PL75MC-217](#) [PL803-7](#) [980-8666-005](#) [1200690078](#) [1-201144-1](#) [R107003010W](#) [R110A172100](#)