

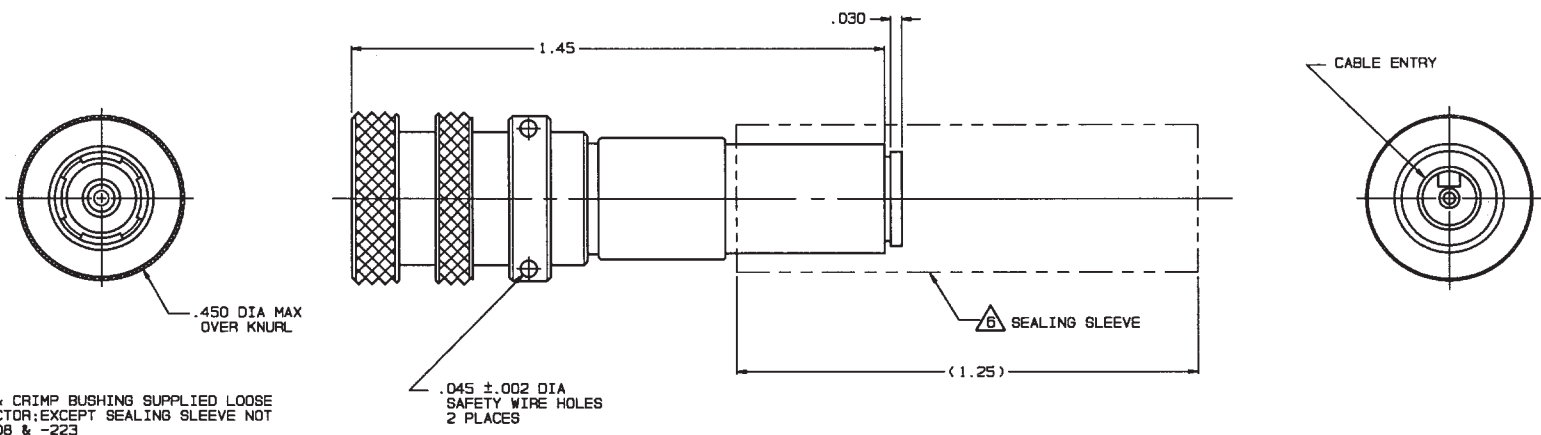
DISK # DWG SIZE DATA CONTAINED IN THIS DOCUMENT IS PROPRIETARY TO TROMPETER ELECTRONICS INC. AND SHALL NOT BE DISCLOSED, COPIED OR USED FOR PROCUREMENT OR MANUFACTURE WITHOUT EXPRESS WRITTEN PERMISSION.

Table with columns: REV, EO, DESCRIPTION, DWN, APPROVED, DATE. Includes revision 10054 with description: PICTORIALY CHANGED 1.00 FLARED SEALING SLEEVE TO STRAIGHT (1.25) LONG SEALING SLEEVE; GENERAL UPDATE.

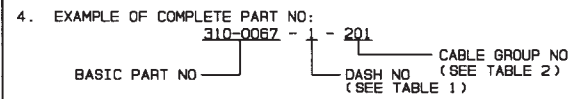
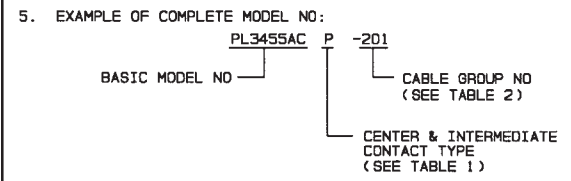
TABLE 1: Table with columns: DASH NO, MODEL NO, CENTER CONTACT/INTMD CONTACT TYPE. Rows include models PL3455AC P and PL3455AC S.

TABLE 2: Table with columns: CABLE GROUP NO, CABLES ACCOMMODATED, ASSEMBLE PER. Lists various cable models like M17/176-00002, TWC-78-1, etc.

Conversion table: INCH vs MM. Values range from .002 to 1.45 inches.



SEALING SLEEVE & CRIMP BUSHING SUPPLIED LOOSE WITH EACH CONNECTOR; EXCEPT SEALING SLEEVE NOT USED ON -205, -208 & -223



- 3. CONCENTRIC TWINAX 4 PIECE ASSY. FULL CRIMP CABLE PLUG, SOCKET CENTER CONTACT AND PIN INTERMEDIATE CONTACT OR PIN CENTER CONTACT AND SOCKET INTERMEDIATE CONTACT
2. TFS-1U (500 HRS SALT SPRAY; NICKEL)
1. ALL DIM ARE IN INCHES

-1 -202 SHOWN

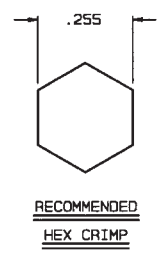
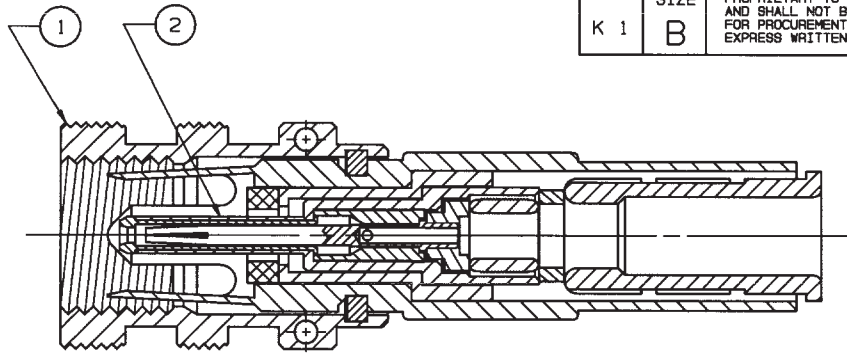


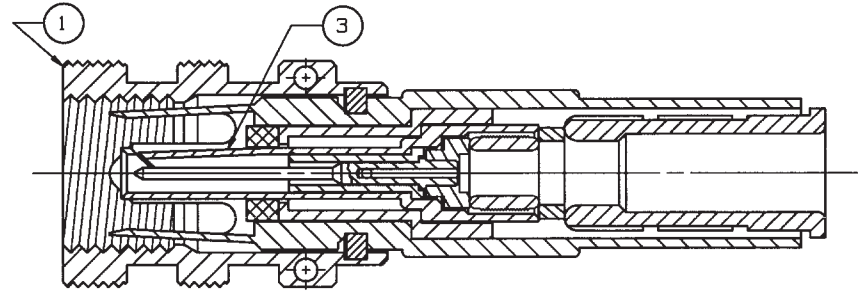
Table with columns: QTY, DESCRIPTION, PART NUMBER, ITEM. Includes fields for TOL, CHK, ENGR, APPR, DWN, DKC, MATERIAL, CODE IDENT, DRAWING NO., DATE, and SHEET.

# RED INDICATES ORIGINAL

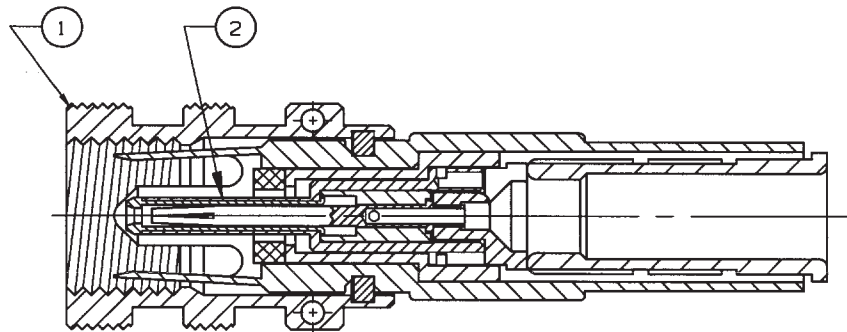
DISK # K 1	DWG SIZE B	DATA CONTAINED IN THIS DOCUMENT IS PROPRIETARY TO TROMPETER ELECTRONICS INC. AND SHALL NOT BE DISCLOSED, COPIED OR USED FOR PROCUREMENT OR MANUFACTURE WITHOUT EXPRESS WRITTEN PERMISSION.	REVISIONS			310-0067		SH 2
			REV	EO	DESCRIPTION	DWN	APPROVED	DATE



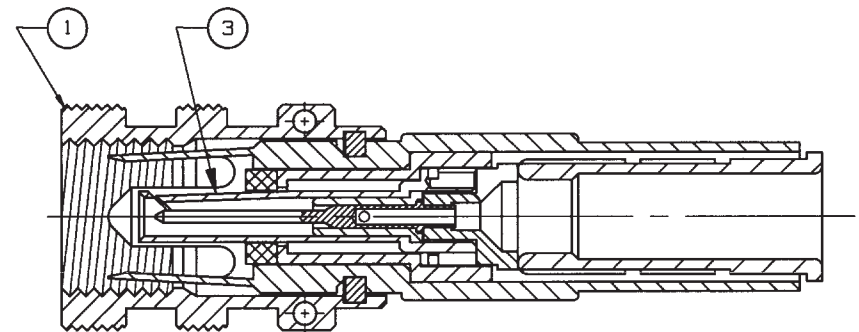
-1-303 SHOWN



-2-303 SHOWN



-1-221 SHOWN



-2-221 SHOWN

1 DASH NO SAME AS CABLE GROUP NO

1	SP450AC - 1	8-2496-	1	3
1	PS450AC - 1	8-2495-	1	2
1	1	BODY ASSY. PL3455AC - 1	8-2554-	1
		DESCRIPTION	PART NUMBER	ITEM

-2	-1	-1	TOL UNLESS SPECIFIED .XX ± .XXX ± .XXXX ± ANGLES ±	TROMPETER RF connectivity <small>© Trompeter Electronics Inc. 1992</small>	PL3455ACP/S	
DWN	DKC	12-3-92	MATERIAL	CODE IDENT	DRAWING NO.	REV
CHK	DKG	12/4/92	---	14949	310-0067	F
ENGR						
APPR	KJ	12/29/92	SCALE 4/1	DATE 10-7-87	SHEET 2	

NEXT ASSY

## X-ON Electronics

Largest Supplier of Electrical and Electronic Components

*Click to view similar products for [RF Connectors / Coaxial Connectors](#) category:*

*Click to view products by [Bel Fuse](#) manufacturer:*

Other Similar products are found below :

[8915-1511-000](#) [89674-0827](#) [6001-7071-019](#) [6002-7051-003](#) [6002-7551-202](#) [6059674-1](#) [619550-1](#) [630059-000](#) [M39030/3-01N](#) [6500-7071-046](#) [6769](#) [CX050L2AQ](#) [7002-1541-010](#) [7002-1542-011](#) [7004-1512-000](#) [7009-1511-004](#) [7010-1511-000](#) [7029-1511-060](#) [7101-1541-010](#) [7101-1571-002](#) [7145-1521-002](#) [7203-1571-003](#) [7209-1511-011](#) [7210-1511-015](#) [7210-1511-019](#) [73137-5015](#) [73216-2241](#) [73404-2300](#) [7405-1521-005](#) [7405-1521-802](#) [8527](#) [8547](#) [FS11V](#) [877931](#) [8808-1511-001](#) [9049-9513-000](#) [9074-9513-000](#) [9101-9573-002](#) [910A205F](#) [9130-9573-002](#) [PL11SC-026](#) [PL375-33](#) [PL40-5](#) [PL74C-221](#) [PL75MC-217](#) [PL803-7](#) [1200690078](#) [1-201144-1](#) [R107003010W](#) [R110A172100](#)