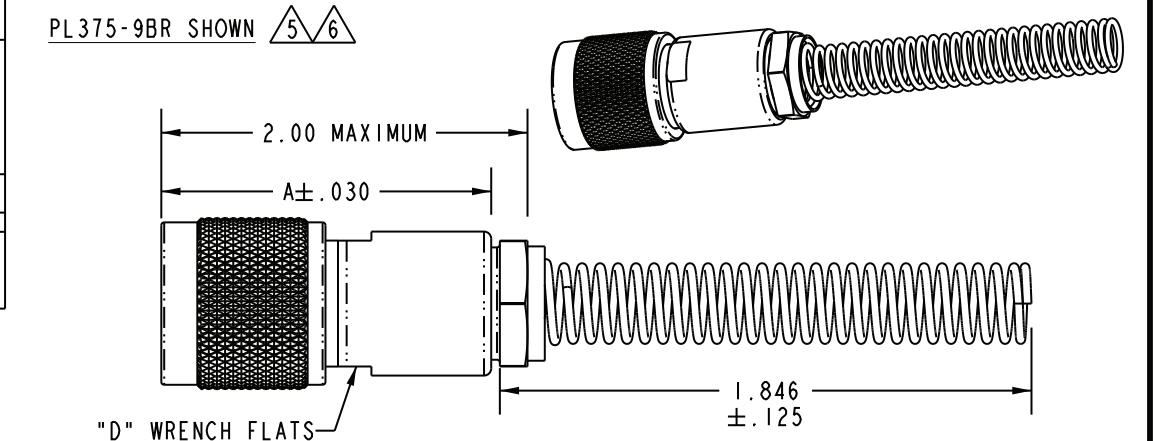
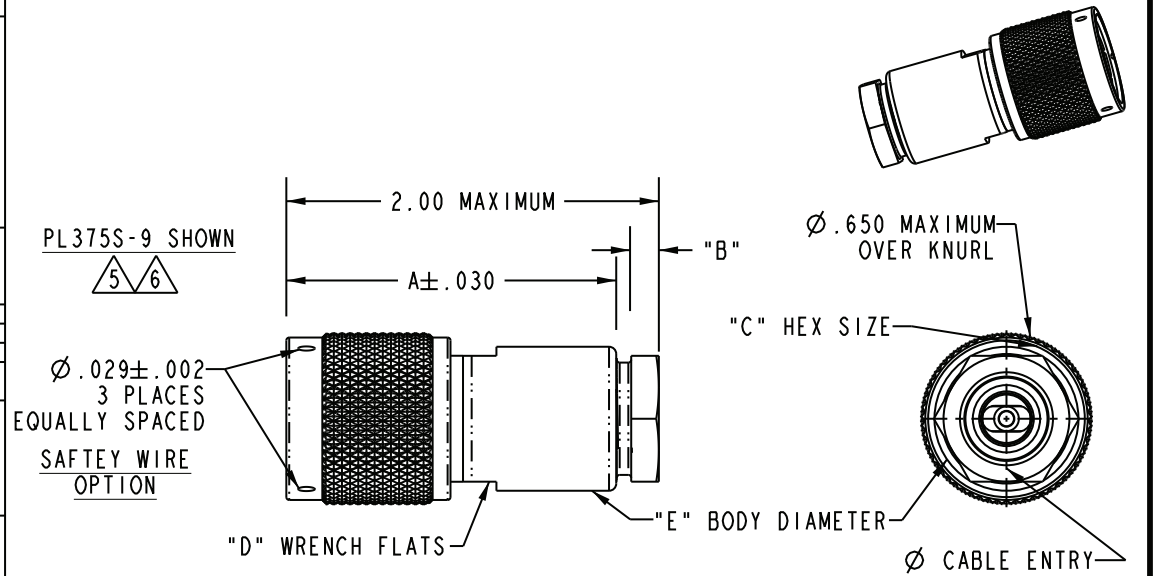


DASH NO	CABLES ACCOMMODATED	TABLE 1					CABLE ENTRY DIA	ASSEMBLE PER	CABLE TYPE		
		A DIM	B DIM	C FLATS	D FLATS	E DIA					
-7	TRC-50-2 TRC-75-2	1.165	.096	.438	.438	.500	.274	TAI-189	TRIAx		
-8	8227, BELDEN	1.740	.130	.625	.688	.750	.345	TAI-103	TWINAX		
-9	TWC-78-2 TWC-124-2	1.165	.096	.438	.438	.500	.285	TAI-102			
-9A	BL782, TIMES BL982, TIMES BL1242, TIMES									3	3
-10	RG-22 754E, AT&T										
-11	760A, AT&T										
-12	16PEVL, AT&T VI-AL, GENERAL	1.740	.130	.625	.688	.750	.485	TAI-128			
-13	TRF-59, TIMES						.362	TAI-129			
-13A	8232, BELDEN						.352	TAI-165			
-14	8233, BELDEN						.490	TAI-129			
-23	250-3884, MICRODOT						.183	TAI-189			
-24	202-3934, MICRODOT						.191	TAI-102	TWINAX		
-24A	9530A5117, RAYCHEM						.200	TAI-189	TRIAx		
-25	T-43M, GENERAL						.285	TAI-102	TWINAX		
-25A	5021H5331, RAYCHEM						.285	TAI-189	TRIAx		
-26	7028A5518, RAYCHEM						.191	TAI-189	TRIAx		
-27	1191PSJ2619EN, WOVEN 202-3927, MICRODOT 202-3942, MICRODOT	1.165	.096	.438	.438	.500	.145	TAI-102	TWINAX		
-29	TWC-78-1/TWC-124-1A										
-30	761A, AT&T 8441, BELDEN										
-32	TRC-50-1						.191				
-33	TRC-75-1						.217				
-42	21-204, ESSEX 4463, CONSOLIDATED						.300	TAI-189	TRIAx		
-43	250-4044/250-4045 293-3930, MICRODOT						.200				
-45	M27500-22TE2114 1100-66F, STANDARD						.183	TAI-102			
-46	9860, BELDEN	1.740	.130	.625	.688	.750	.475	TAI-103	TWINAX		
-47	M177176-00002	1.165	.096	.438	.438	.500	.184	TAI-102			
-49	TWAC-78-1F2						.132				
-54	89207, BELDEN	1.740	.130	.625	.688	.750	.323	TAI-103			
-55	89272, BELDEN						.250	TAI-102			
-56	GC875GCI, GRUMMAN						.191	TAI-189	TRIAx		
-57	GC875GB1, GRUMMAN						.191	TAI-189	TRIAx		
-58	GC875TM24H, GRUMMAN	1.165	.096	.438	.438	.500	.198	TAI-102	QUADRAX		
-59	GC875LNI, GRUMMAN										
-60	M177177, THERMATICS						.217	TAI-189	TRIAx		
-64	380-10045, BOEING 7528A5314, RAYCHEM						.183				

DATA CONTAINED IN THIS DOCUMENT IS PROPRIETARY TO EMERSON CONNECTIVITY SOLUTIONS AND SHALL NOT BE DISCLOSED, COPIED OR USED FOR PROCUREMENT OR MANUFACTURE WITHOUT EXPRESS WRITTEN PERMISSION

REVISIONS			
REV	DESCRIPTIONS	DATE	APPROVED
AD	ECO 52460	6/18/10	CSM



- 6 IF SAFETY WIRE TYPE & BEND RELIEF SPRING RECD ADD SUFFIX "SBR" TO MODEL NO (NOT AVAILABLE WITH CABLE GROUPS -8, -10, -11, -12, -13, -13A, -14, -46, & -54)
  - 5 IF BEND RELIEF SPRING RECD (SEE FIG 2) ADD SUFFIX "BR" TO MODEL NO (NOT AVAILABLE WITH CABLE GROUPS -8, -10, -11, -12, -13, -13A, -14, -46, & -54)
  - 4 IF SAFETY WIRE TYPE RECD ADD SUFFIX "S" TO MODEL NO (PL375S)
  - 3 CLAMP NUT OMITTED
  - 2 CONCENTRIC TWINAX/TRIAx TRT CABLE PLUG
  - 1 FINISH: TFS-1A (NICKEL)
- NOTES: UNLESS OTHERWISE SPECIFIED.

7. EXAMPLE OF COMPLETE MODEL NO:  
**PL375 S -7 BR**

BASIC MODEL NO

BEND RELIEF (OMIT IF NOT RECD)

SAFETY WIRE TYPE (OMIT IF NOT RECD)

DASH NO (CABLE GROUP, TABLE 1)

INTERPRET DRAWING PER MIL-STD-100. DIMENSIONS ARE IN INCHES AND INCLUDE FINISH THICKNESS UNLESS OTHERWISE SPECIFIED.		TOL: UNLESS SPECIFIED. .XX ± .02 .XXX ± .010 .XXXX ± .0010 ANGLE ± 1° 00' CRITICAL		 Cinch Connectivity Solutions 299 Johnson Ave. Ste. 100 Waseca, MN 56093 1-800-247-8256	
DRW	BPK	7/29/11		MATERIAL:	
CHK	CSM	8/1/11		FINISH:	
QUALITY				TITLE: PL375 / PL375S PL375BR / PL375SBR	
MANUF				SIZE	CAGE CODE
APPROVED				△	14949
PROF TITLE NO.		315-0011		DRAWING NO.	315-0011
SURFACE AREA				SCALE	1/1
		DO NOT SCALE DWG		DATE	5/23/73
				SHEET	1 OF 2

## X-ON Electronics

Largest Supplier of Electrical and Electronic Components

*Click to view similar products for [RF Connectors / Coaxial Connectors](#) category:*

*Click to view products by [Bel Fuse](#) manufacturer:*

Other Similar products are found below :

[8915-1511-000](#) [89674-0827](#) [6001-7071-019](#) [6002-7051-003](#) [6002-7551-202](#) [6059674-1](#) [619550-1](#) [630059-000](#) [M39030/3-01N](#) [6500-7071-046](#) [6769](#) [CX050L2AQ](#) [7002-1541-010](#) [7002-1542-011](#) [7004-1512-000](#) [7009-1511-004](#) [7010-1511-000](#) [7029-1511-060](#) [7101-1541-010](#) [7101-1571-002](#) [7145-1521-002](#) [7203-1571-003](#) [7209-1511-011](#) [7210-1511-015](#) [7210-1511-019](#) [73137-5015](#) [73216-2241](#) [73404-2300](#) [7405-1521-005](#) [7405-1521-802](#) [8527](#) [8547](#) [FS11V](#) [877931](#) [8808-1511-001](#) [9049-9513-000](#) [9074-9513-000](#) [9101-9573-002](#) [910A205F](#) [9130-9573-002](#) [PL11SC-026](#) [PL375-33](#) [PL40-5](#) [PL74C-221](#) [PL75MC-217](#) [PL803-7](#) [980-8666-005](#) [1200690078](#) [1-201144-1](#) [R107003010W](#)