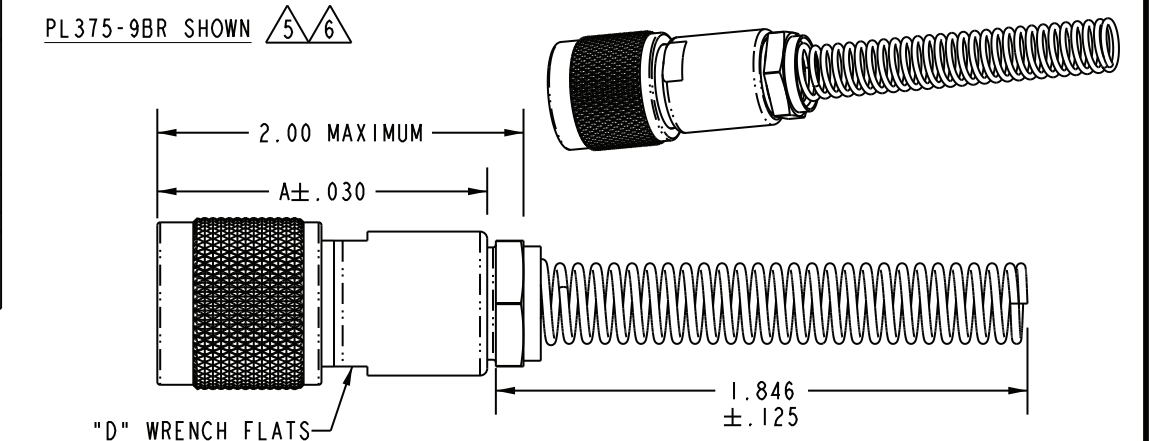
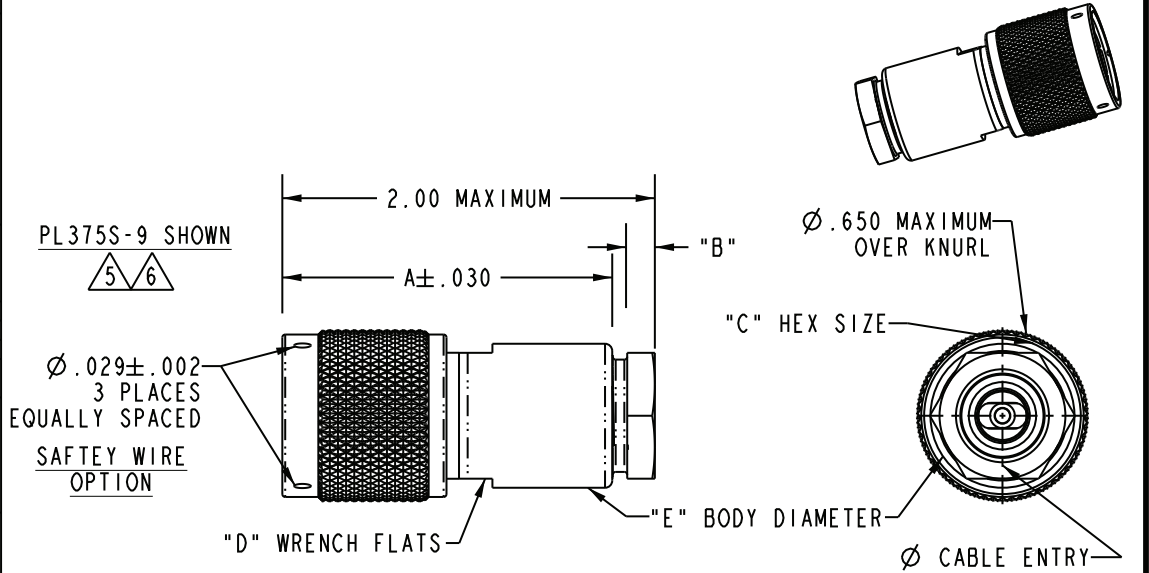


DASH NO	CABLES ACCOMMODATED	TABLE 1					CABLE ENTRY DIA	ASSEMBLE PER	CABLE TYPE
		A DIM	B DIM	C FLATS	D FLATS	E DIA			
-7	TRC-50-2 TRC-75-2	1.165	.096	.438	.438	.500	.274	TAI-189	TRIAx
-8	8227, BELDEN	1.740	.130	.625	.688	.750	.345	TAI-103	TWINAX
-9	TWC-78-2 TWC-124-2	1.165	.096	.438	.438	.500	.285	TAI-102	
-A9 3	BL782, TIMES BL982, TIMES BL1242, TIMES		3	3					
-10	RG-22 754E, AT&T		1.740	.130					
-11	760A, AT&T	.362			.352	.490	.183	TAI-128	
-12	16PEVL, AT&T VI-AL, GENERAL		.485	.362					
-13	TRF-59, TIMES	.362			.352	.490	.183	TAI-128	
-13A	8232, BELDEN		.362	.352					
-14	8233, BELDEN	.362			.352	.490	.183	TAI-128	
-23	250-3884, MICRODOT		.191	.191					
-24	202-3934, MICRODOT	.191			.191	.200	.191	TAI-189	
-24A	9530A5117, RAYCHEM		.191	.191					.200
-25	T-43M, GENERAL	.191			.191	.200	.191	TAI-189	
-25A	5021H5331, RAYCHEM		.191	.191					.200
-26	7028A5518, RAYCHEM	.191			.191	.200	.191	TAI-189	
-27	1191PSJ2619EN, WOVEN 202-3927, MICRODOT 202-3942, MICRODOT		.145	.145					.191
-29	TWC-78-1/TWC-124-1A	.191			.191	.200	.191	TAI-102	
-30	761A, AT&T 8441, BELDEN		.235	.235					.191
-32	TRC-50-1	.217			.217	.300	.217	TAI-189	
-33	TRC-75-1		.300	.300					.200
-42	21-204, ESSEX 4463, CONSOLIDATED	.200			.200	.183	.200	TAI-102	
-43	250-4044/250-4045 293-3930, MICRODOT		.183	.183					.183
-45	M27500-22TE2114 1100-66F, STANDARD	.475			.475	.164	.475	TAI-103	
-46	9860, BELDEN		.164	.164					.132
-47	M177176-00002	.323			.323	.250	.323	TAI-103	
-49	TWAC-78-1F2		.250	.250					.191
-54	89207, BELDEN	.191			.191	.198	.191	TAI-189	
-55	89272, BELDEN		.198	.198					.217
-56	GC875GCI, GRUMMAN	.217			.217	.183	.217	TAI-189	
-57	GC875GB1, GRUMMAN		.183	.183					.183
-58	GC875TM24H, GRUMMAN	.183			.183	.183	.183	TAI-189	
-59	GC875LNI, GRUMMAN		.183	.183					.183
-60	M177177, THERMATICS	.183			.183	.183	.183	TAI-189	
-64	380-10045, BOEING 7528A5314, RAYCHEM		.183	.183					.183

REVIEWS		DATE	APPROVED
REV	AD	ECO 52460	CSM
DESCRIPTIONS		6/18/10	CSM



- 6 IF SAFETY WIRE TYPE & BEND RELIEF SPRING REOD ADD SUFFIX "SBR" TO MODEL NO (NOT AVAILABLE WITH CABLE GROUPS -8, -10, -11, -12, -13, -13A, -14, -46, & -54)
 - 5 IF BEND RELIEF SPRING REOD (SEE FIG 2) ADD SUFFIX "BR" TO MODEL NO (NOT AVAILABLE WITH CABLE GROUPS -8, -10, -11, -12, -13, -13A, -14, -46, & -54)
 - 4 IF SAFETY WIRE TYPE REOD ADD SUFFIX "S" TO MODEL NO (PL375S)
 - 3 CLAMP NUT OMITTED
 - 2 CONCENTRIC TWINAX/TRIAx TRT CABLE PLUG
 - 1 FINISH: TFS-1A (NICKEL)
- NOTES: UNLESS OTHERWISE SPECIFIED.

7. EXAMPLE OF COMPLETE MODEL NO:
PL375 S -7 BR

BASIC MODEL NO

BEND RELIEF (OMIT IF NOT REOD)

SAFETY WIRE TYPE (OMIT IF NOT REOD)

DASH NO (CABLE GROUP, TABLE 1)

INTERPRET DRAWING PER MIL-STD-100. DIMENSIONS ARE IN INCHES AND INCLUDE FINISH THICKNESS UNLESS OTHERWISE SPECIFIED.		TOL: UNLESS SPECIFIED. .XX ± .02 .XXX ± .010 .XXXX ± .0010 ANGLE ± 1° 00' CRITICAL		Connectivity Solutions 299 Johnson Ave. Ste. 100 Waseca, MN 56093 1-800-247-8256	
DRN	BPK	7/29/11		MATERIAL:	
CHK	CSM	8/1/11		FINISH:	
QUALITY			TITLE:		PL375 / PL375S PL375BR / PL375SBR
MANUF			SIZE		
APPROVED			CAGE CODE		14949
PROF TITLE NO.	315-0011		DRAWING NO.		315-0011
DO NOT SCALE DWG		SCALE		1/1	
DATE		5/23/73		SHEET	
1 OF 2					

X-ON Electronics

Largest Supplier of Electrical and Electronic Components

Click to view similar products for [RF Connectors / Coaxial Connectors](#) category:

Click to view products by [Bel Fuse](#) manufacturer:

Other Similar products are found below :

[8915-1511-000](#) [89674-0827](#) [6001-7071-019](#) [6002-7051-003](#) [6002-7551-202](#) [6059674-1](#) [619550-1](#) [630059-000](#) [M39030/3-01N](#) [6500-7071-046](#) [6769](#) [CX050L2AQ](#) [7002-1541-010](#) [7002-1542-011](#) [7004-1512-000](#) [7009-1511-004](#) [7010-1511-000](#) [7029-1511-060](#) [7101-1541-010](#) [7101-1571-002](#) [7145-1521-002](#) [7203-1571-003](#) [7209-1511-011](#) [7210-1511-015](#) [7210-1511-019](#) [73137-5015](#) [73216-2241](#) [73404-2300](#) [7405-1521-005](#) [7405-1521-802](#) [8527](#) [8547](#) [FS11V](#) [877931](#) [9049-9513-000](#) [9074-9513-000](#) [9101-9573-002](#) [910A205F](#) [9130-9573-002](#) [PL11SC-026](#) [PL375-33](#) [PL40-5](#) [PL74C-221](#) [PL75MC-217](#) [PL803-7](#) [980-8666-005](#) [1200690078](#) [1-201144-1](#) [R107003010W](#) [R110A172100](#)