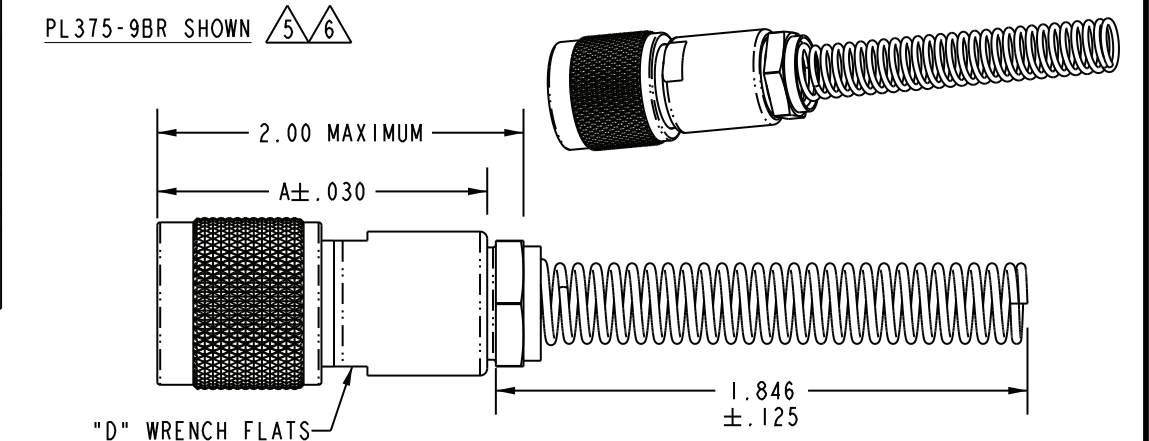
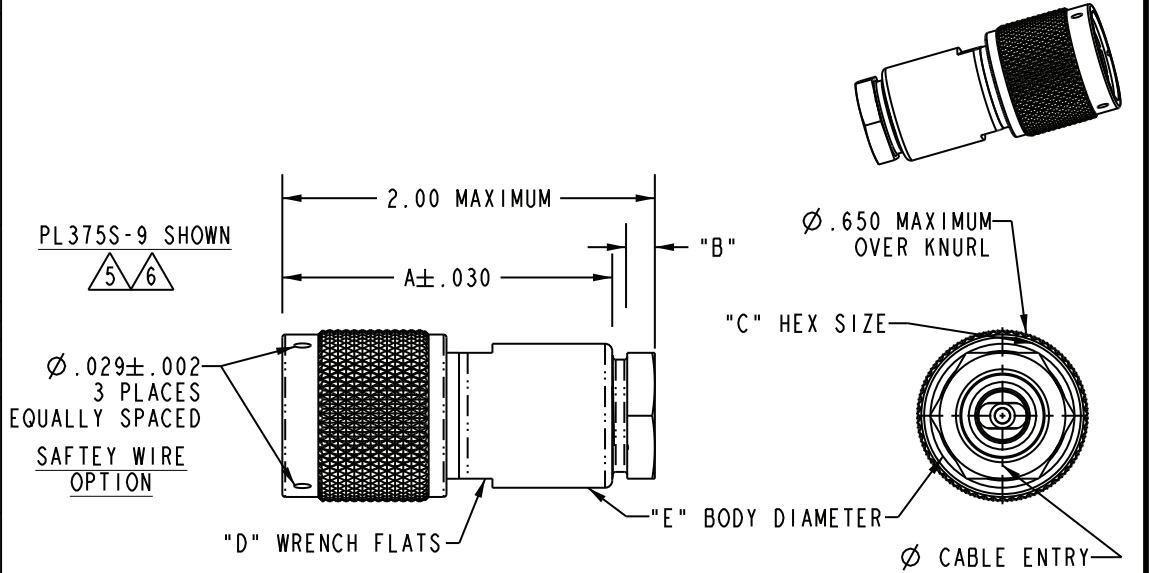
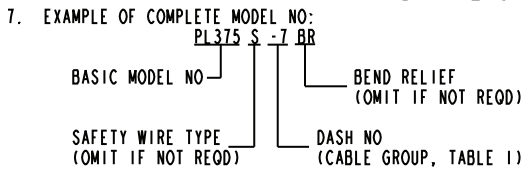


DASH NO	CABLES ACCOMMODATED	TABLE 1					CABLE ENTRY DIA	ASSEMBLE PER	CABLE TYPE		
		A DIM	B DIM	C FLATS	D FLATS	E DIA					
-7	TRC-50-2 TRC-75-2	1.165	.096	.438	.438	.500	.274	TAI-189	TRIAx		
-8	8227, BELDEN	1.740	.130	.625	.688	.750	.345	TAI-103	TWINAX		
-9	TWC-78-2 TWC-124-2	1.165	.096	.438	.438	.500	.285	TAI-102			
-9A	BL782, TIMES BL982, TIMES BL1242, TIMES									3	3
-10	RG-22 754E, AT&T									1.740	.130
-11	760A, AT&T										
-12	16PEVL, AT&T VI-AL, GENERAL	1.740	.130	.625	.688	.750	.485	TAI-128			
-13	TRF-59, TIMES										
-13A	8232, BELDEN										
-14	8233, BELDEN										
-23	250-3884, MICRODOT	1.165	.096	.438	.438	.500	.183	TAI-189		TWINAX	
-24	202-3934, MICRODOT										
-24A	9530A5117, RAYCHEM										
-25	T-43M, GENERAL										
-25A	5021H5331, RAYCHEM										
-26	7028A5518, RAYCHEM										
-27	1191PSJ2619EN, WOVEN 202-3927, MICRODOT 202-3942, MICRODOT										
-29	TWC-78-1/TWC-124-1A										
-30	761A, AT&T 8441, BELDEN										
-32	TRC-50-1								1.740		.130
-33	TRC-75-1										
-42	21-204, ESSEX 4463, CONSOLIDATED										
-43	250-4044/250-4045 293-3930, MICRODOT										
-45	M27500-22TE2114 1100-66F, STANDARD										
-46	9860, BELDEN										
-47	M177176-00002										
-49	TWAC-78-1F2										
-54	89207, BELDEN										
-55	89272, BELDEN										
-56	GC875GCI, GRUMMAN	1.165	.096	.438	.438	.500	.191	TAI-189	TRIAx		
-57	GC875GB1, GRUMMAN										
-58	GC875TM24H, GRUMMAN										
-59	GC875LNI, GRUMMAN										
-60	M177177, THERMATICS										
-64	380-10045, BOEING 7528A5314, RAYCHEM	1.740	.130	.625	.688	.750	.323	TAI-103	TWINAX		
-54	89207, BELDEN										
-55	89272, BELDEN	1.165	.096	.438	.438	.500	.250	TAI-102	QUADRAX		
-56	GC875GCI, GRUMMAN										
-57	GC875GB1, GRUMMAN										
-58	GC875TM24H, GRUMMAN	1.740	.130	.625	.688	.750	.217	TAI-189	TRIAx		
-59	GC875LNI, GRUMMAN										
-60	M177177, THERMATICS	1.165	.096	.438	.438	.500	.198	TAI-102	QUADRAX		
-59	GC875LNI, GRUMMAN										
-60	M177177, THERMATICS	1.740	.130	.625	.688	.750	.217	TAI-189	TRIAx		
-64	7528A5314, RAYCHEM										

REVISIONS			
REV	DESCRIPTIONS	DATE	APPROVED
AD	ECO 52460	6/18/10	CSM



- 6 IF SAFETY WIRE TYPE & BEND RELIEF SPRING RECD ADD SUFFIX "SBR" TO MODEL NO (NOT AVAILABLE WITH CABLE GROUPS -8, -10, -11, -12, -13, -13A, -14, -46, & -54)
  - 5 IF BEND RELIEF SPRING RECD (SEE FIG 2) ADD SUFFIX "BR" TO MODEL NO (NOT AVAILABLE WITH CABLE GROUPS -8, -10, -11, -12, -13, -13A, -14, -46, & -54)
  - 4 IF SAFETY WIRE TYPE RECD ADD SUFFIX "S" TO MODEL NO (PL375S)
  - 3 CLAMP NUT OMITTED
  - 2 CONCENTRIC TWINAX/TRIAx TRT CABLE PLUG
  - 1 FINISH: TFS-1A (NICKEL)
- NOTES: UNLESS OTHERWISE SPECIFIED.



INTERPRET DRAWING PER MIL-STD-100. DIMENSIONS ARE IN INCHES AND INCLUDE FINISH THICKNESS UNLESS OTHERWISE SPECIFIED.		TOL: UNLESS SPECIFIED. .XX ± .02 .XXX ± .010 .XXXX ± .0010 ANGLE ± 1° 00' CRITICAL		<p>Cinch Connectivity Solutions 299 Johnson Ave. Ste. 100 Waseca, MN 56093 1-800-247-8256</p>	
DRW	BPK	7/29/11		TITLE:	
CHK	CSM	8/1/11		PL375 / PL375S PL375BR / PL375SBR	
QUALITY			FINISH:		
MANUF					SIZE
APPROVED			SCALE		14949
PROF TITLE NO.	315-0011		DO NOT SCALE DWG		DRAWING NO.
				315-0011	
				DATE	
				5/23/73	
				SHEET	
				1 OF 2	

## X-ON Electronics

Largest Supplier of Electrical and Electronic Components

*Click to view similar products for [RF Connectors / Coaxial Connectors](#) category:*

*Click to view products by [Bel Fuse](#) manufacturer:*

Other Similar products are found below :

[8915-1511-000](#) [89674-0827](#) [6001-7071-019](#) [6002-7051-003](#) [6002-7551-202](#) [6059674-1](#) [619550-1](#) [630059-000](#) [M39030/3-01N](#) [6500-7071-046](#) [6769](#) [CX050L2AQ](#) [7002-1541-010](#) [7002-1542-011](#) [7004-1512-000](#) [7009-1511-004](#) [7010-1511-000](#) [7029-1511-060](#) [7101-1541-010](#) [7101-1571-002](#) [7145-1521-002](#) [7203-1571-003](#) [7209-1511-011](#) [7210-1511-015](#) [7210-1511-019](#) [73137-5015](#) [73216-2241](#) [73404-2300](#) [7405-1521-005](#) [7405-1521-802](#) [8527](#) [8547](#) [FS11V](#) [877931](#) [8808-1511-001](#) [9049-9513-000](#) [9074-9513-000](#) [9101-9573-002](#) [910A205F](#) [9130-9573-002](#) [PL11SC-026](#) [PL375-33](#) [PL40-5](#) [PL74C-221](#) [PL75MC-217](#) [PL803-7](#) [1200690078](#) [1-201144-1](#) [R107003010W](#) [R110A172100](#)