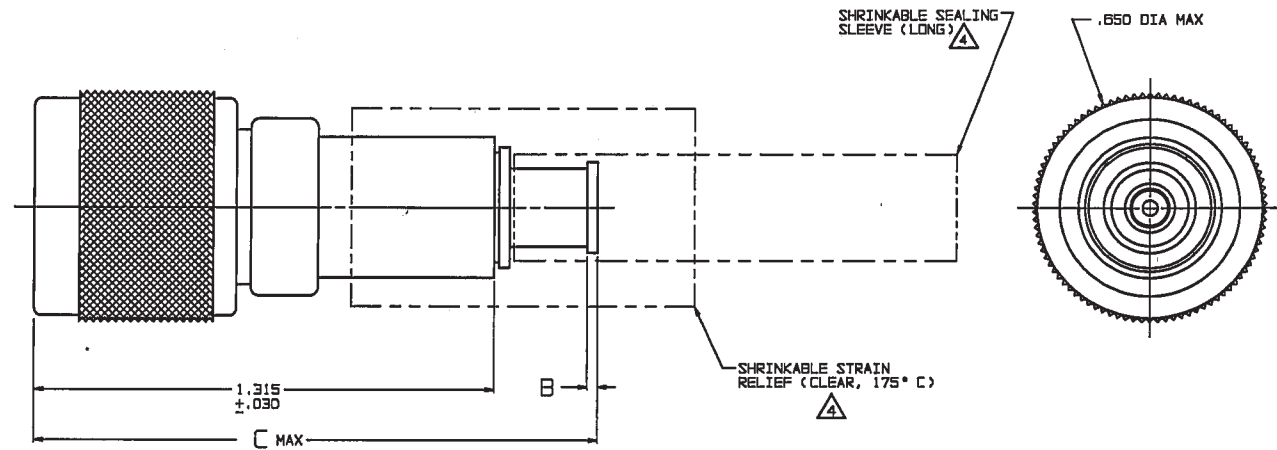


# RED INDICATES ORIGINAL

CNC SIZE <b>C</b>	DATA CONTAINED IN THIS DOCUMENT IS PROPRIETARY TO TROMPETER ELECTRONICS INC. AND SHALL NOT BE DISCLOSED, COPIED OR USED FOR REPRODUCTION OR MANUFACTURE WITHOUT EXPRESS WRITTEN PERMISSION.				REVISIONS			310-0057	SH 1
	REV	ED	DESCRIPTION	DWN	APPROVED	DATE			
	N	12074	-306 TAI-218 WAS TAI-188; ADDED -308 & -309; SEE ECO	DKC	Bun, AM.	6/19/97			

TABLE 1					
DASH NO	CABLES ACCOMMODATED	A HEX	B DIM	C MAX	ASSEMBLY PER
-201	M17/178-00002				
-202	TWC-78-1				
-203	TWC-124-1A				
-204	10602, RAYCHEM				
-205	TWAC-78-1F2			1.72	TAI-166
-206	782600130, RAYCHEM				
-207	83310, BELDEN				
-208	202-3827, MICRODOT				
-209	202-3942, MICRODOT				
-210	8451, BELDEN				
-211	202-3934, MICRODOT				
-212	2524E0114, RAYCHEM				
-213	TWC-78-2			1.46	TAI-138
-214	TWC-124-2				
-215	BL982, TIMES				
-216	BL 1242, TIMES				
-217	GCB75M24H, GRUMMAN	.344	.030		
-218	EDP221888, RAYCHEM			1.72	TAI-166
-219	2526D1114, RAYCHEM				
-220	GCB75RRI, GRUMMAN				
-221	10814, RAYCHEM				
-222	10813, RAYCHEM				
-223	HMS2-1149, HUGHES				
-301	GCB75GC1, GRUMMAN				TAI-188
-302	GCB75GB1, GRUMMAN				TAI-218
-303	7528A5314, RAYCHEM				TAI-188
-304					TAI-218
-305	M17/177-00001, THERMATICS			1.70	TAI-188
-306	TRC-50-2				TAI-218
-307	M17/134-00002				TAI-188
-308	TRC-75-1				TAI-218
-309	TRC-75-2				TAI-188
-309	TRC-50-1				TAI-188

INCH	MM
.005	0.13
.030	0.76
.344	8.74
.650	16.51
1.00	25.40
1.25	31.75
1.315	33.40
1.46	37.08
1.70	43.18
1.72	43.68
1.75	44.45



-202 SHOWN

7. FOR TOOL CRIMP CONNECTOR QUALIFIED TO MIL-C-49142, SEE DRAWING 3-0284 (PL375MC)
  6. EXAMPLE OF COMPLETE MODEL NO:  

BASIC MODEL NO	CABLE GROUP
	DASH NO
  5. IF SAFETY WIRE TYPE REQD ADD SUFFIX "S" TO MODEL NO (PL375CS)
- A**
- 1 SHRINKABLE STRAIN RELIEF AND/OR SHRINKABLE SEALING SLEEVE SUPPLIED LOOSE AS FOLLOWS:
    - a. CABLE GROUPS -201 THROUGH -210, -217 THROUGH -303, -305 & -307:
      - 1 SHRINKABLE STRAIN RELIEF (1.00 LONG)
      - 1 SHRINKABLE SEALING SLEEVE (1.25 LONG)
    - b. CABLE GROUPS -211 THROUGH -216 & -308:
      - 1 SHRINKABLE STRAIN RELIEF (1.75 LONG)
  3. THREADED CONCENTRIC TWINAX/TRIAX TRT, FULL CRIMP CABLE PLUG
  2. TFS-1A (NICKEL)
  1. ALL DIM ARE IN INCHES



QTY	DESCRIPTION	PART NUMBER	ITEM
	TOL UNLESS SPECIFIED .XX ± .XXX ± .005 .XXXX ANGLE	<b>TROMPETER</b> RF connectivity	PL375C/PL375CS
DWN	DKC 6-17-97	MATERIAL	CODE IDENT
CHK	<i>AM</i> 6-17-97	14949	DRAWING NO.
ENGR			310-0057
APPR	<i>AM</i> 6/18/97	SCALE 4/1	DATE 10/4/85
NEXT ASSY			SHEET 1 OF 2

## **X-ON Electronics**

Largest Supplier of Electrical and Electronic Components

*Click to view similar products for [RF Connectors / Coaxial Connectors](#) category:*

*Click to view products by [Bel Fuse](#) manufacturer:*

Other Similar products are found below :

[8915-1511-000](#) [89674-0827](#) [6001-7071-019](#) [6002-7051-003](#) [6002-7551-202](#) [6059674-1](#) [619550-1](#) [630059-000](#) [M39030/3-01N](#) [6500-7071-046](#) [6769](#) [CX050L2AQ](#) [7002-1541-010](#) [7002-1542-011](#) [7004-1512-000](#) [7009-1511-004](#) [7010-1511-000](#) [7029-1511-060](#) [7101-1541-010](#) [7101-1571-002](#) [7145-1521-002](#) [7203-1571-003](#) [7209-1511-011](#) [7210-1511-015](#) [7210-1511-019](#) [73137-5015](#) [73216-2241](#) [73404-2300](#) [7405-1521-005](#) [7405-1521-802](#) [8527](#) [8547](#) [FS11V](#) [877931](#) [9049-9513-000](#) [9074-9513-000](#) [9101-9573-002](#) [910A205F](#) [9130-9573-002](#) [PL11SC-026](#) [PL375-33](#) [PL40-5](#) [PL74C-221](#) [PL75MC-217](#) [PL803-7](#) [980-8666-005](#) [1200690078](#) [1-201144-1](#) [R107003010W](#) [R110A172100](#)