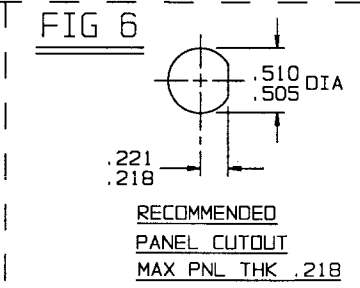
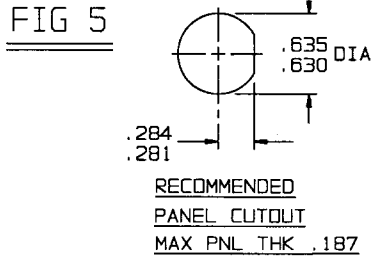
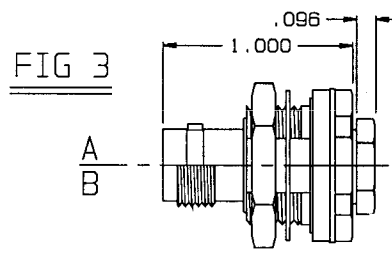
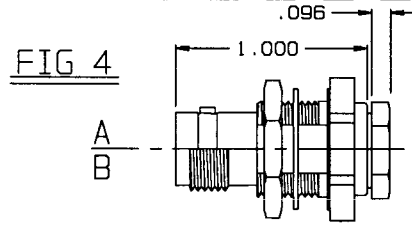
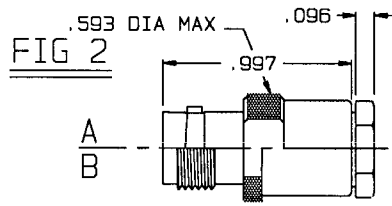
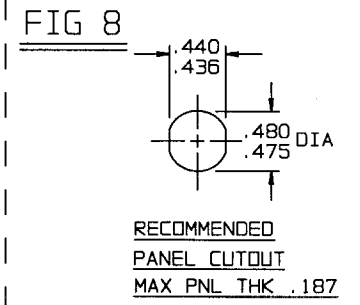
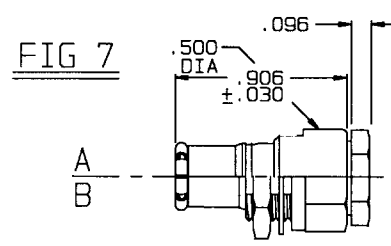
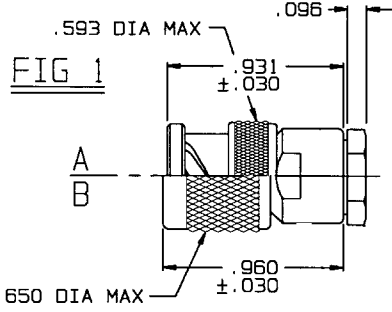


DATA CONTAINED IN THIS DOCUMENT IS PROPRIETARY TO TROMPETER ELECTRONICS INC. AND SHALL NOT BE DISCLOSED, COPIED OR USED FOR PROCUREMENT OR MANUFACTURE WITHOUT EXPRESS WRITTEN PERMISSION.

REVISIONS			105-1600	SH 1C	
REV	EO	DESCRIPTION	DWN	APPROVED	DATE
B	12598	REVISED NOTE/4; SEE ECD	DKC	<i>WM</i> <i>JL</i>	11/25/98

DASH NO	CONN TYPE	MATERIAL	ASSEMBLE PER	FIG	MTG HOLE FIG
-1	PL20	1-0369-6	TAI-119	1A	---
-2	CJ20	1-0134-6		2A	---
-3	BJ26	1-0341-6		3A	5
-4	BJ29	1-0126-6		4A	6
-5	PL40	1-0014-6		1B	---
-6	CJ40	1-0135-6		2B	---
-7	BJ46	1-0448-6		3B	5
-8	BJ49	1-0173-6		4B	6
-9	UPL20	1-0369-U6		1A	---
-10	UCJ20	1-0134-U6		2A	---
-11	UBJ26	1-0341-U6		3A	5
-12	UBJ29	1-0126-U6		4A	6
-13	UPL40	1-0014-U6		1B	---
-14	UCJ40	1-0135-U6		2B	---
-15	UBJ46	1-0448-U6		3B	5
-16	UBJ49	1-0173-U6		4B	6
-17	PL123	1-0390-6		7A	---
-18	UPL123	1-0390-U6		7A	---
-19	PL122	1-0431-6		7B	8
-20	UPL122	1-0431-U6		7B	8



4. REPLACE CONE 8-0475-6 WITH CONE 8-0475-2, REPLACE CONE DIELECTRIC 8-0677-U6 WITH CONE DIELECTRIC 8-0677-U2 & REPLACE CLAMP NUT 8-1580-6 WITH CLAMP NUT 8-1848-41
3. 50 & 75 OHM COAXIAL BNC/TNC CABLE PLUGS/ RECEPTACLE/INSULATED & NON-INSULATED BULKHEAD MOUNT RECEPTACLE/PUSH-ON & NON-INSULATED BULKHEAD MOUNT PUSH-ON PLUGS FOR COMM/SCOPE CABLE NO. F59 HEC-2
2. FINISH: TFS-1A (NICKEL)
1. ALL DIM ARE IN INCHES

QTY	DESCRIPTION	PART NUMBER	ITEM		
TOL UNLESS SPECIFIED .XX ± .XXX ± .005 .XXXX ± ANGLES ±		TROMPETER ELECTRONICS, INC. 20 & 40 SERIES-F59 HEC-2			
DWN	DKC 11-3-98			MATERIAL	CODE IDENT
CHK	<i>WM</i> 11-4-98		14949	105-1600	B
ENGR					
APPR	<i>JL</i> 11/25/98	SCALE	DATE 9-3-98	SHEET	1C

NEXT ASSY

X-ON Electronics

Largest Supplier of Electrical and Electronic Components

Click to view similar products for [RF Connectors / Coaxial Connectors](#) category:

Click to view products by [Bel Fuse](#) manufacturer:

Other Similar products are found below :

[8915-1511-000](#) [89674-0827](#) [6001-7071-019](#) [6002-7051-003](#) [6002-7551-202](#) [6059674-1](#) [619550-1](#) [630059-000](#) [M39030/3-01N](#) [6500-7071-046](#) [6769](#) [CX050L2AQ](#) [7002-1541-010](#) [7002-1542-011](#) [7004-1512-000](#) [7009-1511-004](#) [7010-1511-000](#) [7029-1511-060](#) [7101-1541-010](#) [7101-1571-002](#) [7145-1521-002](#) [7203-1571-003](#) [7209-1511-011](#) [7210-1511-015](#) [7210-1511-019](#) [73137-5015](#) [73216-2241](#) [73404-2300](#) [7405-1521-005](#) [7405-1521-802](#) [8527](#) [8547](#) [FS11V](#) [877931](#) [8808-1511-001](#) [9049-9513-000](#) [9074-9513-000](#) [9101-9573-002](#) [910A205F](#) [9130-9573-002](#) [PL11SC-026](#) [PL375-33](#) [PL40-5](#) [PL74C-221](#) [PL75MC-217](#) [PL803-7](#) [1200690078](#) [1-201144-1](#) [R107003010W](#) [R110A172100](#)