



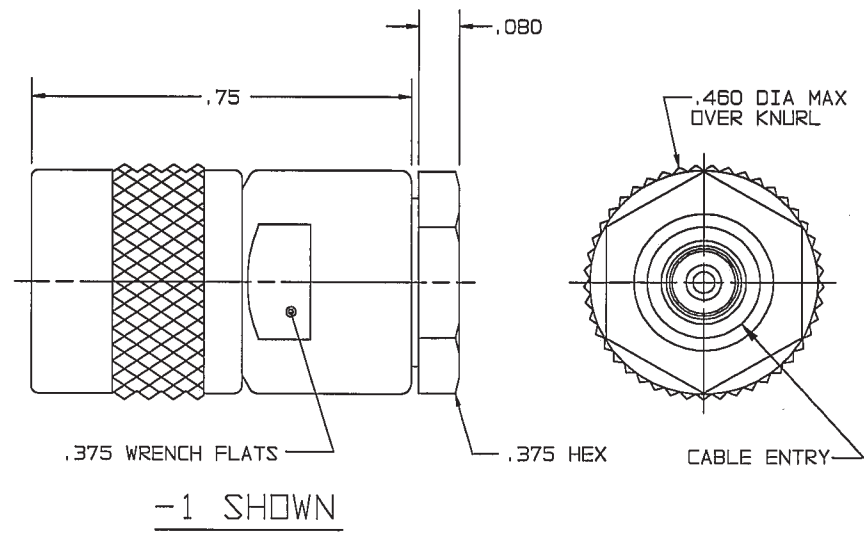
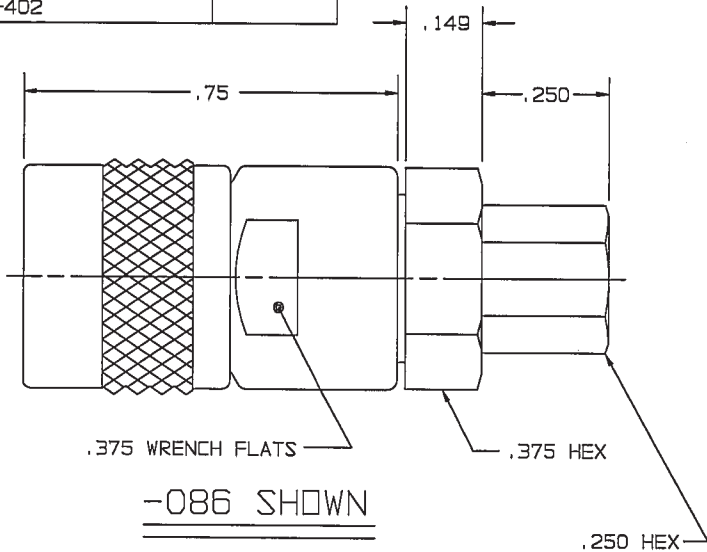
RED INDICATES ORIGINAL


| DASH NO | CABLES ACCOMMODATED | ASSEMBLE PER | INCH | MM |
|---------|---|--------------|------|-------|
| -1 | RG-58 | TAI-135 | .005 | 0.13 |
| -2 | RG-59 | | .03 | 0.76 |
| -2A | B279 BELDEN | | .080 | 2.03 |
| -2B | 730A AT&T  | TAI-108 | .149 | 3.78 |
| -3 | RG-223 | TAI-135 | .250 | 6.35 |
| -4 | RG-122 | | .375 | 9.23 |
| -5 | RG-174 | | .460 | 11.68 |
| -5A | RG-196 | | .75 | 19.05 |
| -22 | RG-180 | | | |
| -31 | GRUMMAN GC875GP1 | TAI-130 | | |
| -36 | CXN1362; GDRE | | | |
| -086 | RG-405 | | | |
| -141 | RG-402 | | | |


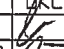

DWG SIZE
B

DATA CONTAINED IN THIS DOCUMENT IS PROPRIETARY TO TROMPETER ELECTRONICS INC. AND SHALL NOT BE DISCLOSED, COPIED OR USED FOR PROCUREMENT OR MANUFACTURE WITHOUT EXPRESS WRITTEN PERMISSION.

| REVISIONS | | | 1-0016 | | SH 1C |
|-----------|-------|---|--------|---|----------|
| REV | ECD | DESCRIPTION | DWN | APPROVED | DATE |
| Y | 13099 | REDRAWN WITHOUT CHANGE TO ACCOMMODATE CUSTOMER NEED FOR ELECTRONIC FILE TRANSFER; SEE ECD | DKC |  | 11/15/99 |



-  NOT WRENCH CRIMP
- 3. MALE TYPE TPS COAXIAL PLUG
- 2. FINISH: TFS-1A (NICKEL)
- 1. ALL DIMENSIONS ARE IN INCHES

| QTY | DESCRIPTION | | PART NUMBER | ITEM |
|---|---|----------|-------------|--------------------|
| TOL UNLESS SPECIFIED .XX ±.03 .XXX ±.005 .XXXX ± ANGLE± |  | | PL50 | |
| DWN | DKC | 10-20-99 | MATERIAL | CODE IDENT |
| CHK |  | 11-15-99 | 14949 | DRAWING NO. 1-0016 |
| ENGR |  | | SCALE 4/1 | DATE 8-5-66 |
| NEXT ASSY | APPR | 11-15-99 | SHEET | 1C |

X-ON Electronics

Largest Supplier of Electrical and Electronic Components

Click to view similar products for [RF Connectors / Coaxial Connectors](#) category:

Click to view products by [Bel Fuse](#) manufacturer:

Other Similar products are found below :

[8915-1511-000](#) [89674-0827](#) [6001-7071-019](#) [6002-7051-003](#) [6002-7551-202](#) [6059674-1](#) [619550-1](#) [630059-000](#) [M39030/3-01N](#) [6500-7071-046](#) [6769](#) [CX050L2AQ](#) [7002-1541-010](#) [7002-1542-011](#) [7004-1512-000](#) [7009-1511-004](#) [7010-1511-000](#) [7029-1511-060](#) [7101-1541-010](#) [7101-1571-002](#) [7145-1521-002](#) [7203-1571-003](#) [7209-1511-011](#) [7210-1511-015](#) [7210-1511-019](#) [73137-5015](#) [73216-2241](#) [73404-2300](#) [7405-1521-005](#) [7405-1521-802](#) [8527](#) [8547](#) [FS11V](#) [877931](#) [8808-1511-001](#) [9049-9513-000](#) [9074-9513-000](#) [9101-9573-002](#) [910A205F](#) [9130-9573-002](#) [PL11SC-026](#) [PL375-33](#) [PL40-5](#) [PL74C-221](#) [PL75MC-217](#) [PL803-7](#) [1200690078](#) [1-201144-1](#) [R107003010W](#) [R110A172100](#)