

# RED INDICATES ORIGINAL

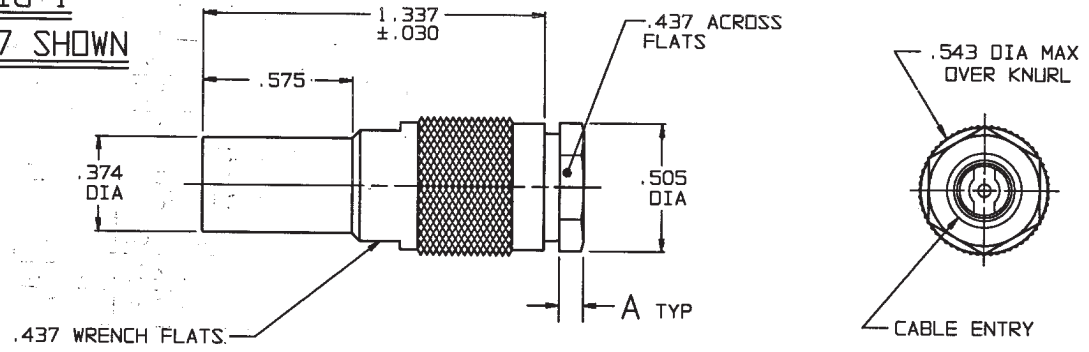
DASH NO	FIG NO	CABLES ACCOMMODATED	A DIM	B DIM	ASSEMBLE PER
-7	1.2	TRC-50-2	.096	1.846	TAI-189
-A7		TRC-75-2	<span style="border: 1px solid black; padding: 1px;">A</span>	<span style="border: 1px solid black; padding: 1px;">A</span>	TAI-189
-9		TWC-78-2			TAI-102
-23		TWC-124-2			TAI-189
-29		250-4816-009 MICRODOT			TAI-189
-33		TWC-78-1	.096	1.846	TAI-102
-42		TWC-124-1A			TAI-189
-47		TRC-75-1			TAI-189
-47		21-204 ESSEX 4463 CONSOLIDATED M17/176-00002			TAI-102

DWG SIZE **B**  
 DATA CONTAINED IN THIS DOCUMENT IS PROPRIETARY TO TROMPETER ELECTRONICS, INC. AND SHALL NOT BE DISCLOSED, COPIED OR USED FOR PROCUREMENT OR MANUFACTURE WITHOUT EXPRESS WRITTEN PERMISSION.

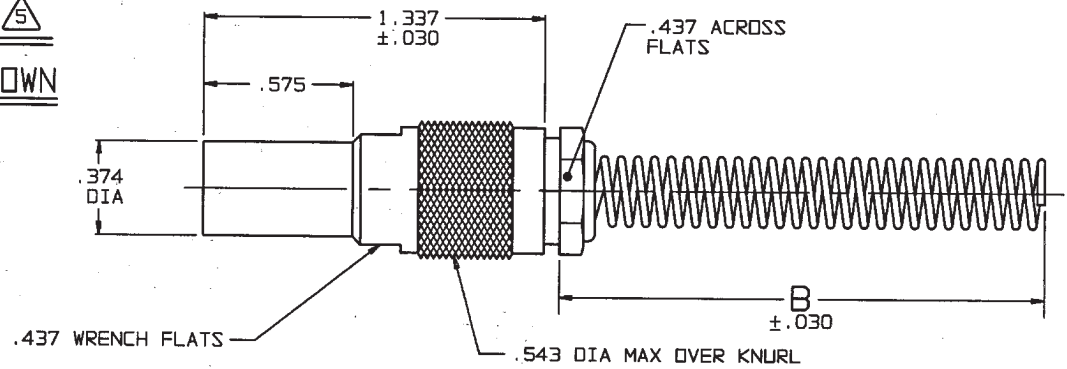
REV		ED	DESCRIPTION	OWN	APPROVED	DATE
AA		11957	DELETED THICKER CLAMP NUT P/N 8-1591 AND "BR" VERSION P/N 8-2203; ON SH 2 B/M; DELETED NOTE <span style="border: 1px solid black; padding: 1px;">2</span> ; NOTE <span style="border: 1px solid black; padding: 1px;">3</span> BECOMES NOTE <span style="border: 1px solid black; padding: 1px;">2</span> ; RENUMBERED ITEM NUMBERS; SEE ECO	DKC	<i>Bur</i>	3/17/97

INCH	MM
.005	0.13
.030	0.76
.096	2.44
.374	9.50
.437	11.10
.505	12.83
.543	13.79
.575	14.61
1.337	33.96
1.846	46.89

**FIG 1**  
**-7 SHOWN**



**FIG 2**  
**-7 SHOWN**



- 5 IF BEND RELIEF SPRING REQD (FIG 2) ADD SUFFIX "BR" TO MODEL NO
- 4. CONCENTRIC TWINAXIAL/TRIAXIAL PATCH PLUG
- 3 CLAMP NUT OMITTED ON -A7 ONLY
- 2. FINISH: TFS-1A (NICKEL)
- 1. ALL DIM ARE IN INCHES

QTY	DESCRIPTION	PART NUMBER	ITEM
TOL UNLESS SPECIFIED .xx ± .xxx ± .005 .xxxx ± ANGLES ±	<b>TROMPETER ELECTRONICS, INC.</b>	PL71/BR	
DWN DKC 1-3-97	MATERIAL	CODE IDENT	DRAWING NO.
CHK <i>Bur</i> 3-17-97		14949	310-0001
ENGR	SCALE 2/1	DATE 1-12-66	REV AA
NEXT ASSY	APPR <i>Bur</i> 3/17/97	SHEET 1 OF 2	

## X-ON Electronics

Largest Supplier of Electrical and Electronic Components

*Click to view similar products for [RF Connectors / Coaxial Connectors](#) category:*

*Click to view products by [Bel Fuse](#) manufacturer:*

Other Similar products are found below :

[8915-1511-000](#) [89674-0827](#) [6001-7071-019](#) [6002-7051-003](#) [6002-7551-202](#) [6059674-1](#) [619550-1](#) [630059-000](#) [M39030/3-01N](#) [6500-7071-046](#) [6769](#) [CX050L2AQ](#) [7002-1541-010](#) [7002-1542-011](#) [7004-1512-000](#) [7009-1511-004](#) [7010-1511-000](#) [7029-1511-060](#) [7101-1541-010](#) [7101-1571-002](#) [7145-1521-002](#) [7203-1571-003](#) [7209-1511-011](#) [7210-1511-015](#) [7210-1511-019](#) [73137-5015](#) [73216-2241](#) [73404-2300](#) [7405-1521-005](#) [7405-1521-802](#) [8527](#) [8547](#) [FS11V](#) [877931](#) [9049-9513-000](#) [9074-9513-000](#) [9101-9573-002](#) [910A205F](#) [9130-9573-002](#) [PL11SC-026](#) [PL375-33](#) [PL40-5](#) [PL74C-221](#) [PL75MC-217](#) [PL803-7](#) [980-8666-005](#) [1200690078](#) [1-201144-1](#) [R107003010W](#) [R110A172100](#)