

RED INDICATES ORIGINAL

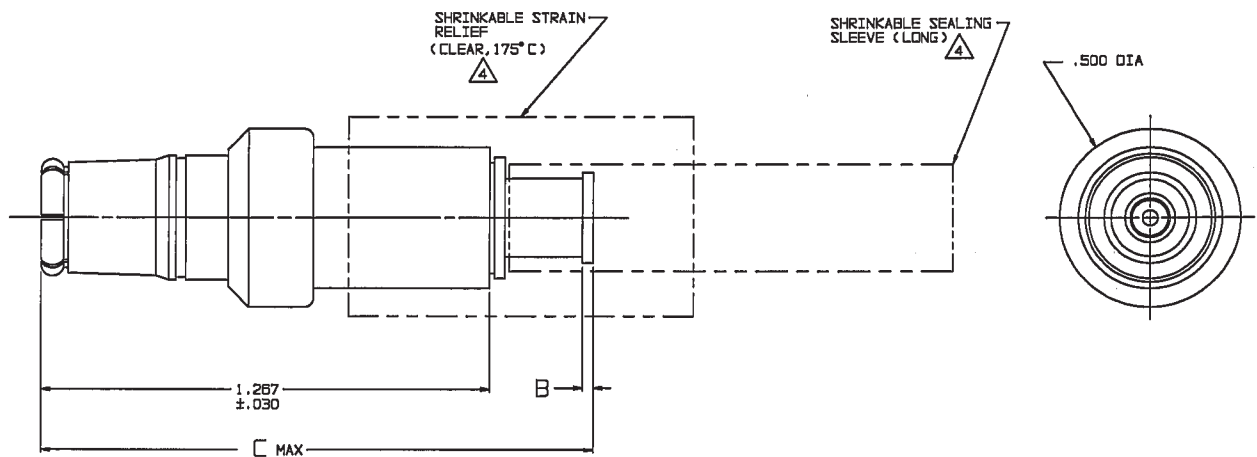
DATA CONTAINED IN THIS DOCUMENT IS PROPRIETARY TO TROMPETER ELECTRONICS INC., AND SHALL NOT BE DISCLOSED, COPIED OR USED FOR PROMOTION OR MANUFACTURE WITHOUT EXPRESS WRITTEN PERMISSION.

REVISIONS			310-0063	SH 1	
REV	ED	DESCRIPTION	DWN	APPROVED	DATE
M	12088	-308 TAI-218 WAS TAI-188; ADDED -308 & -309; SEE ECD	DBN	WJM <i>fa</i>	8/20/97

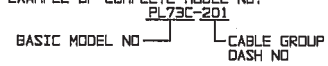
DASH NO	CABLES ACCOMMODATED	A HEX	B DIM	C MAX	ASSEMBLE PER
-201	M17/176-00002				
-202	TWC-78-1				
-203	TWC-124-1A				
-204	10802, RAYCHEM				
-205	TWAC-78-1F2				
-206	782600130, RAYCHEM			1.67	TAI-165
-207	B3310, BELDEN				
-208	202-3627, MICRODOT				
-209	202-3642, MICRODOT				
-210	B451, BELDEN				
-211	202-3634, MICRODOT	.344	.030		
-212	2524E0114, RAYCHEM				
-213	TWC-78-2			1.41	TAI-138
-214	TWC-124-2				
-215	BL982, TIMES				
-216	BL1242, TIMES				
-217	GCB75TM24H, GRUMMAN				
-218	EOP221888, RAYCHEM				
-219	252601114, RAYCHEM				
-220	GCB75RR1, GRUMMAN			1.67	TAI-166
-221	10814, RAYCHEM				
-222	10813, RAYCHEM				
-223	HMS2-1149, HUGHES				

DASH NO	CABLES ACCOMMODATED	A HEX	B DIM	C MAX	ASSEMBLE PER
-301	GCB75GC1, GRUMMAN				
-302	GCB75GB1, GRUMMAN				
-303	7528A5314, RAYCHEM				TAI-188
-304					
-305	M17/177-00001, THERMATICS	.344	.030	1.67	
-306	TRC-50-2				TAI-218
	M17/134-00002				
-307	TRC-75-1				TAI-188
-308	TRC-75-2				TAI-218
-309	TRC-50-1				TAI-168

INCH	MM
.005	0.13
.030	0.76
.344	8.74
.500	12.70
1.00	25.40
1.25	31.75
1.267	32.18
1.41	35.81
1.67	42.42
1.75	44.45



5. EXAMPLE OF COMPLETE MODEL NO:



- △ 1 SHRINKABLE STRAIN RELIEF AND/OR SHRINKABLE SEALING SLEEVE SUPPLIED LOOSE AS FOLLOWS:
- a. CABLE GROUPS -201 THROUGH -210, -217 THROUGH -303, -305, -307 & -309
 - 1 SHRINKABLE STRAIN RELIEF (1.00 LONG)
 - 1 SHRINKABLE SEALING SLEEVE (1.25 LONG)
 - b. CABLE GROUPS -211 THROUGH -218, -306 & -308
 - 1 SHRINKABLE STRAIN RELIEF (1.75 LONG)

3. PUSH-ON TRB STYLE CONCENTRIC TWINAX/TRIAX FULL CRIMP CABLE PLUG

2. FINISH: TFS-1A (NICKEL)

1. ALL DIM ARE IN INCHES

-202 SHOWN



QTY	DESCRIPTION	PART NUMBER	ITEM
TOL UNLESS SPECIFIED .004 ± .003 ± .005 .0000 ± ANGLE	TROMPETER RF connectivity	PL73C	
DWN DBN 7/28/97	MATERIAL CODE IDENT	DRAWING NO.	REV
CHK WJM 8-15-97	14949	310-0063	M
ENGR	SCALE 4/1	DATE 8/18/85	SHEET 1 OF 2
APPR <i>fa</i>			

X-ON Electronics

Largest Supplier of Electrical and Electronic Components

Click to view similar products for [RF Connectors / Coaxial Connectors](#) category:

Click to view products by [Bel Fuse](#) manufacturer:

Other Similar products are found below :

[8915-1511-000](#) [89674-0827](#) [6001-7071-019](#) [6002-7051-003](#) [6002-7551-202](#) [6059674-1](#) [619550-1](#) [630059-000](#) [M39030/3-01N](#) [6500-7071-046](#) [6769](#) [CX050L2AQ](#) [7002-1541-010](#) [7002-1542-011](#) [7004-1512-000](#) [7009-1511-004](#) [7010-1511-000](#) [7029-1511-060](#) [7101-1541-010](#) [7101-1571-002](#) [7145-1521-002](#) [7203-1571-003](#) [7209-1511-011](#) [7210-1511-015](#) [7210-1511-019](#) [73137-5015](#) [73216-2241](#) [73404-2300](#) [7405-1521-005](#) [7405-1521-802](#) [8527](#) [8547](#) [FS11V](#) [877931](#) [8808-1511-001](#) [9049-9513-000](#) [9074-9513-000](#) [9101-9573-002](#) [910A205F](#) [9130-9573-002](#) [PL11SC-026](#) [PL375-33](#) [PL40-5](#) [PL74C-221](#) [PL75MC-217](#) [PL803-7](#) [1200690078](#) [1-201144-1](#) [R107003010W](#) [R110A172100](#)