

| TABLE 1 | | |
|----------|----------------------------|--------------|
| GROUP NO | CABLE ACCOMMODATED | ASSEMBLE PER |
| -301 | GC875GCI, GRUMMAN | TAI-229 |
| -302 | GC875GBI, GRUMMAN | |
| -303 | 7528A5314, RAYCHEM | |
| -304 | ----- | |
| -305 | M17/177-00001 | |
| -306 | M17/134-00001 TRCH-50-2 | |
| -307 | TRC-75-1 | |
| -308 | TRC-75-2 | |
| -309 | TRC-50-1 | |

| TABLE 2 | | |
|----------|----------|-------------|
| MODEL NO | PART NO | DESCRIPTION |
| PL74MC | 3-0309-1 | 2 LUG TRB |
| PL75MC | 3-0309-2 | 3 LUG TRB |

| TABLE 3 | | | | |
|-----------------------------|------|------|------|------------|
| POLARIZATION CHART (PL75MC) | | | | |
| KEY LETTER | A° | B° | C° | COLOR BAND |
| NONE | 120° | 120° | 120° | NONE |
| T | 100° | 150° | 110° | RED |
| U | 120° | 130° | 110° | ORANGE |
| V | 115° | 130° | 115° | YELLOW |
| W | 125° | 110° | 125° | GREEN |
| X | 130° | 100° | 130° | BLUE |
| Y | 110° | 140° | 110° | VIOLET |
| Z | 100° | 160° | 100° | GRAY |
| S | 135° | 135° | 90° | WHITE |

3. EXAMPLE OF COMPLETE MODEL NUMBER:

PL75MC T - 306

BASIC MODEL NO. (SEE TABLE 2)

CABLE GROUP DASH NO. (SEE TABLE 1)

POLARIZATION LETTER, PL75MC ONLY, NOT REQ FOR STD (SEE TABLE 3)

2. FINISH: TFS-1A (NICKEL)

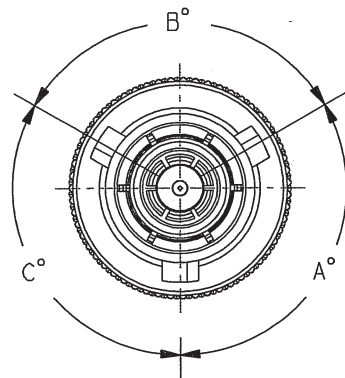
1. CONCENTRIC TRIAX 2 OR 3 LUG TRB TYPE MILITARY FULL CRIMP CABLE PLUG

NOTES: UNLESS OTHERWISE SPECIFIED.

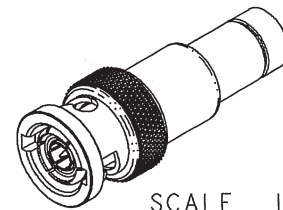
DATA CONTAINED IN THIS DOCUMENT IS PROPRIETARY TO TROMPETER-ELECTRONICS INC. AND SHALL NOT BE DISCLOSED, COPIED OR USED FOR PROCUREMENT OR MANUFACTURE WITHOUT EXPRESS WRITTEN PERMISSION.

| REVISIONS | | | |
|-----------|------------------------|----------|----------|
| REV | DESCRIPTIONS | DATE | APPROVED |
| B | REVISED PER ECO #16477 | 10/16/07 | NAME |

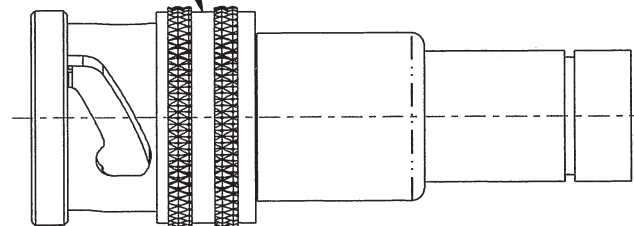
RED INDICATES ORIGINAL



COLOR BAND

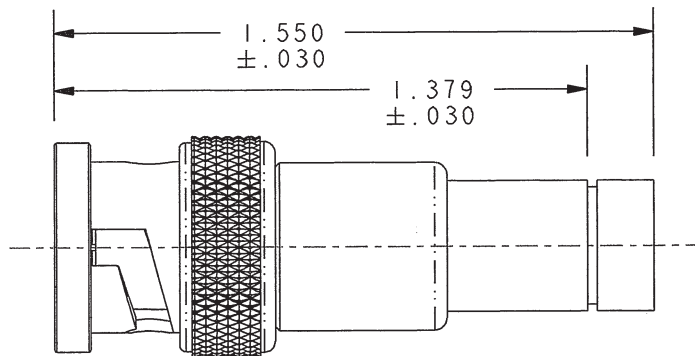
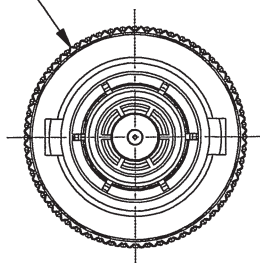


SCALE 1/1

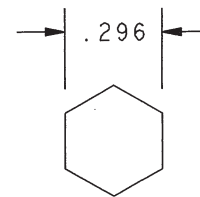


PL75MC SHOWN

Ø .593 MAX



PL74MC SHOWN



RECOMMENDED HEX CRIMP

INTERPRET DRAWING PER MIL-STD-100. DIMENSIONS ARE IN INCHES AND INCLUDE FINISH THICKNESS UNLESS OTHERWISE SPECIFIED.

TOL: UNLESS SPECIFIED.
.XX ± .02
.XXX ± .010
ANGLE ± 1°

TROMPETER
RF connectivity
a cinch connectivity solutions brand

DRN CJJ 9-27-07
CHK *gl* 10-12-07
QUANTITY
MANUF
APPROVED *AM* 10/12/07
PROJ FILE NO. 3-0309

MATERIAL:
FINISH:
DO NOT SCALE DWG

TITLE: PL74MC / PL75MC
SIZE A CAGE CODE 14949 DRAWING NO. 3-0309 REV. B
SCALE 2/1 DATE 3-13-00 SHEET IC

NEXT ASSY

X-ON Electronics

Largest Supplier of Electrical and Electronic Components

Click to view similar products for [RF Connectors / Coaxial Connectors](#) category:

Click to view products by [Bel Fuse](#) manufacturer:

Other Similar products are found below :

[8915-1511-000](#) [89674-0827](#) [6001-7071-019](#) [6002-7051-003](#) [6002-7551-202](#) [6059674-1](#) [619550-1](#) [630059-000](#) [M39030/3-01N](#) [6500-7071-046](#) [6769](#) [CX050L2AQ](#) [7002-1541-010](#) [7002-1542-011](#) [7004-1512-000](#) [7009-1511-004](#) [7010-1511-000](#) [7029-1511-060](#) [7101-1541-010](#) [7101-1571-002](#) [7145-1521-002](#) [7203-1571-003](#) [7209-1511-011](#) [7210-1511-015](#) [7210-1511-019](#) [73137-5015](#) [73216-2241](#) [73404-2300](#) [7405-1521-005](#) [7405-1521-802](#) [8527](#) [8547](#) [FS11V](#) [877931](#) [8808-1511-001](#) [9049-9513-000](#) [9074-9513-000](#) [9101-9573-002](#) [910A205F](#) [9130-9573-002](#) [PL11SC-026](#) [PL375-33](#) [PL40-5](#) [PL74C-221](#) [PL75MC-217](#) [PL803-7](#) [980-8666-005](#) [1200690078](#) [1-201144-1](#) [R107003010W](#)