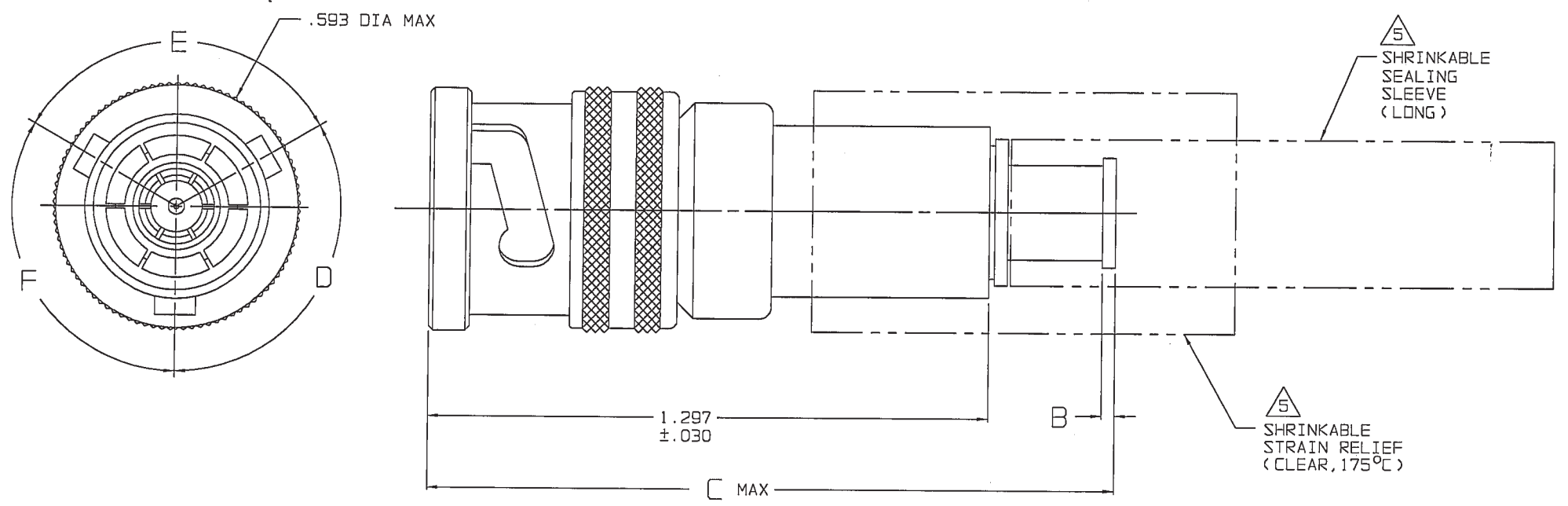


| TABLE 1 | | | | | |
|---------|---------------------------|-------|-------|-------|--------------|
| DASH NO | CABLES ACCOMMODATED | A HEX | B DIM | C MAX | ASSEMBLY PER |
| -201 | M17/176-00002 | .344 | .030 | 1.70 | TAI-166 |
| -202 | TWC-78-1 | | | | |
| -203 | TWC-124-1A | | | | |
| -204 | 10602 RAYCHEM | | | | |
| -205 | TWAC-78-1F2 | | | | |
| -206 | 7826D0130 RAYCHEM | | | | |
| -207 | 83310 BELDEN | | | | |
| -208 | 202-3927 MICRODDT | | | | |
| -209 | 202-3942 MICRODDT | | | | |
| -210 | 8451 BELDEN | | | | |
| -211 | 202-3934 MICRODDT | | | | |
| -212 | 2524E0114 RAYCHEM | | | | |
| -213 | TWC-78-2 | | | | |
| -214 | TWC-124-2 | | | | |
| -215 | BL982, TIMES | | | | |
| -216 | BL1242, TIMES | | | | |
| -217 | GC875TM24H GRUMMAN | | | | |
| -218 | EDP221888, RAYCHEM | | | | |
| -219 | 2526D1114 RAYCHEM | | | | |
| -220 | GC875RR1, GRUMMAN | | | | |
| -221 | 10614, RAYCHEM | | | | |
| -222 | 10613, RAYCHEM | | | | |
| -223 | HMS2-1149, HUGHES | | | | |
| -224 | TWCP-124-3 | | | | |
| -225 | PS665PL, PRIME STOCK | | | | |
| -301 | GC875GC1, GRUMMAN | | | | |
| -302 | GC875GB1, GRUMMAN | | | | |
| -303 | 7528A5314, RAYCHEM | | | | |
| -304 | | | | | |
| -305 | M17/177-00001, THERMATICS | | | | |
| -306 | TRC-50-2 M17/134-00002 | | | | |
| -307 | TRC-75-1 | | | | |
| -308 | TRC-75-2 | | | | |
| -309 | TRC-50-1 | | | | |

DATA CONTAINED IN THIS DOCUMENT IS PROPRIETARY TO TROMPETER ELECTRONICS INC. AND SHALL NOT BE DISCLOSED, COPIED OR USED FOR PROCUREMENT OR MANUFACTURE WITHOUT EXPRESS WRITTEN PERMISSION OF TROMPETER ELECTRONICS INC.

| REVISIONS | | 310-0054 | SH 1 |
|-----------|-----------------------|----------|-----------|
| REV | DESCRIPTION | DATE | APPROVED |
| AD | REVISED PER ECD 14825 | 11/26/02 | <i>AM</i> |

RED INDICATES ORIGINAL



6. FOR TOOL CRIMP CONNECTOR QUALIFIED TO MIL-C-49142, SEE DRAWING 3-0285 (PL75MC)

1 SHRINKABLE STRAIN RELIEF AND/OR SHRINKABLE SEALING SLEEVE SUPPLIED LOOSE AS FOLLOWS:

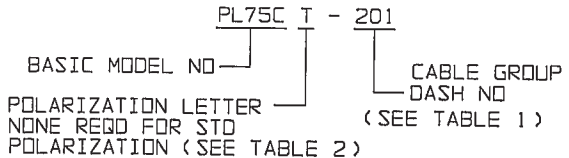
a. CABLE GROUPS -201 THROUGH -210, -217 THROUGH -223, -301, -302, -303, -305, -307 & -309

1 SHRINKABLE STRAIN RELIEF (1.00 LONG)
1 SHRINKABLE SEALING SLEEVE (1.25 LONG)

b. CABLE GROUPS -211 THROUGH -216, -224, -225, -306 & -308

1 SHRINKABLE STRAIN RELIEF (1.75 LONG)

4. EXAMPLE OF COMPLETE MODEL NO:

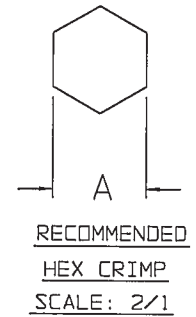


3. CONCENTRIC TWINAX/TRIAX 3-LUG TRB, FULL CRIMP CABLE PLUG

2. FINISH: TFS-1A (NICKEL)

1. ALL DIMENSIONS ARE IN INCHES

-202 SHOWN



| TABLE 2 | | | | |
|--------------------|-----------|-----------|-----------|------------|
| POLARIZATION CHART | | | | |
| KEY LETTER | D DEGREES | E DEGREES | F DEGREES | COLOR BAND |
| NONE | 120° | 120° | 120° | NONE |
| T | 100° | 150° | 110° | RED |
| U | 120° | 130° | 110° | ORANGE |
| V | 115° | 130° | 115° | YELLOW |
| W | 125° | 110° | 125° | GREEN |
| X | 130° | 100° | 130° | BLUE |
| Y | 110° | 140° | 110° | VIOLET |
| Z | 100° | 160° | 100° | GRAY |
| S | 135° | 135° | 90° | WHITE |

| | | | | | | |
|--|----------------|--|------------------------------|------------------|----------------------|---------|
| INTERPRET DRAWING PER MIL-STD-100 DIMENSIONS ARE IN INCHES AND INCLUDE FINISH THICKNESS UNLESS OTHERWISE SPECIFIED | | TOL: UNLESS SPECIFIED .XX .XXX ±.005 .XXXX | | | | |
| DRAWN: AAH | DATE: 11-22-02 | MATERIAL: | TITLE: PL75C/T/U/V W/X/Y/Z/S | | | |
| CHECKED: S.K.M. | DATE: 11-22-02 | FINISH: | SIZE: B | CAGE CODE: 14949 | DRAWING NO: 310-0054 | REV: AD |
| QUALIFIED: J.P. | DATE: 11/26/02 | | SCALE: NONE | DATE: 4/10/84 | SHEET: 1C | |
| MANUFACTURED: J.P. | DATE: 11/26/02 | | | | | |
| APPROVED: J.P. | DATE: 11/25/02 | | | | | |
| CAD FILE NO: 310-0054AD | | DO NOT SCALE DWG | | | | |

X-ON Electronics

Largest Supplier of Electrical and Electronic Components

Click to view similar products for [RF Connectors / Coaxial Connectors](#) category:

Click to view products by [Bel Fuse](#) manufacturer:

Other Similar products are found below :

[8915-1511-000](#) [89674-0827](#) [6001-7071-019](#) [6002-7051-003](#) [6002-7551-202](#) [6059674-1](#) [619550-1](#) [630059-000](#) [M39030/3-01N](#) [6500-7071-046](#) [6769](#) [CX050L2AQ](#) [7002-1541-010](#) [7002-1542-011](#) [7004-1512-000](#) [7009-1511-004](#) [7010-1511-000](#) [7029-1511-060](#) [7101-1541-010](#) [7101-1571-002](#) [7145-1521-002](#) [7203-1571-003](#) [7209-1511-011](#) [7210-1511-015](#) [7210-1511-019](#) [73137-5015](#) [73216-2241](#) [73404-2300](#) [7405-1521-005](#) [7405-1521-802](#) [8527](#) [8547](#) [FS11V](#) [877931](#) [9049-9513-000](#) [9074-9513-000](#) [9101-9573-002](#) [910A205F](#) [9130-9573-002](#) [PL11SC-026](#) [PL375-33](#) [PL40-5](#) [PL74C-221](#) [PL75MC-217](#) [PL803-7](#) [980-8666-005](#) [1200690078](#) [1-201144-1](#) [R107003010W](#) [R110A172100](#)