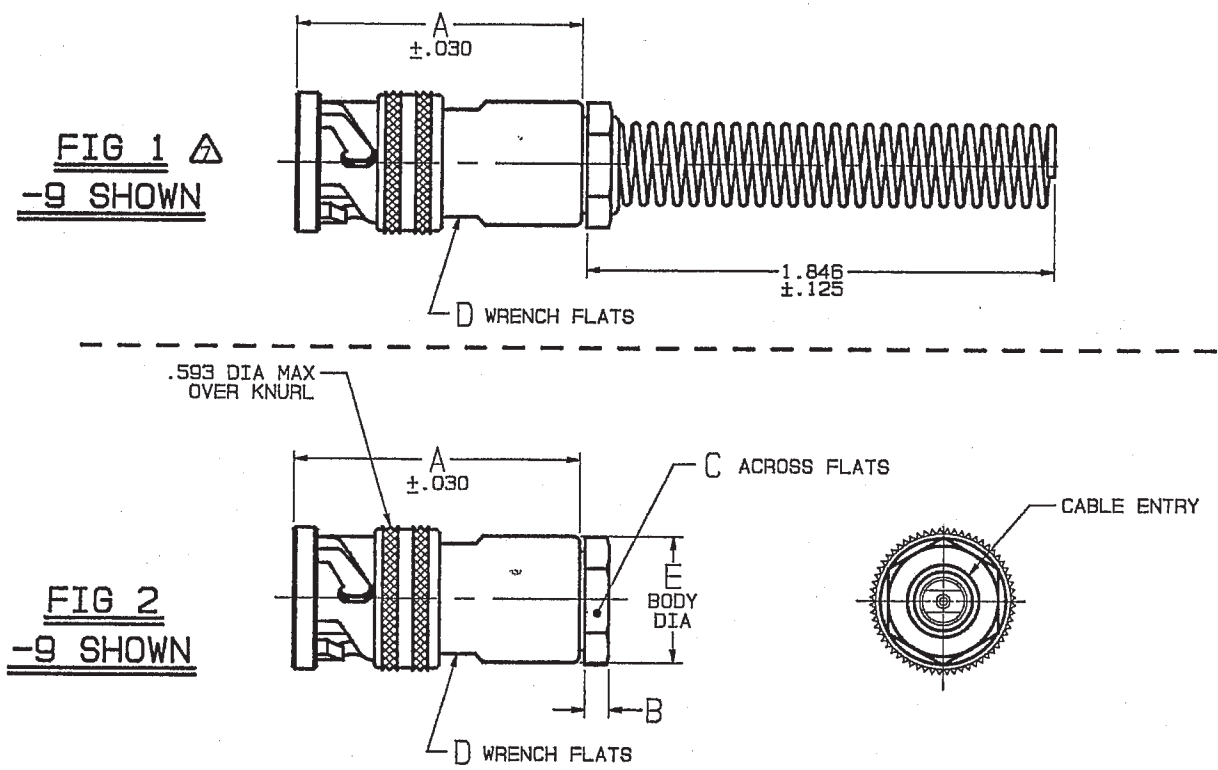


DISK # DWG SIZE DATA CONTAINED IN THIS DOCUMENT IS PROPRIETARY TO TROMPETER ELECTRONICS INC. AND SHALL NOT BE DISCLOSED, COPIED OR USED FOR PROCUREMENT OR MANUFACTURE WITHOUT EXPRESS WRITTEN PERMISSION.

| REVISIONS |      |  | 310-0006 |          | SH 1   |
|-----------|------|--|----------|----------|--------|
| REV       | EO   | DESCRIPTION  | DWN      | APPROVED | DATE   |
| M         | 9322 | -7, -23, -24A, -25A, -26, -32, -33, -42, -43, -56, -57, -60, -64; ASSEMBLE PER BLOCK WAS TAI-104; AND GENERAL UPDATE | DKC      | B.M.     | 6/8/91 |

| DASH NO | CABLES ACCOMMODATED  | A DIM | B DIM | C FLATS | D FLATS | E DIA | ASSEMBLE PER |
|---------|--|-------|-------|---------|---------|-------|--------------|
| -7      | TRC-50-2<br>TRC-75-2   | 1.135 | .096  | .438    | .438    | .500  | TAI-189      |
| -8      | 8227, BELDEN   | 1.716 | .130  | .625    | .688    | .750  | TAI-103      |
| -9      | TWC-78-2<br>TWC-124-2  | 1.135 | .096  | .438    | .438    | .500  | TAI-102      |
| -A9     | BL782, TIMES<br>BL982, TIMES<br>BL1242, TIMES                    |       |       | △       |         |       |              |
| -10     | RG-22<br>754E, AT&T  |       |       |         |         |       |              |
| -11     | 760A, AT&T   |       |       |         |         |       |              |
| -12     | 16 PEVL, AT&T<br>V1-AL, GENERAL                                  | 1.716 | .130  | .625    | .688    | .750  | TAI-128      |
| -13     | TRF-59, TIMES  |       |       |         |         |       | TAI-129      |
| -13A    | 8232, BELDEN   |       |       |         |         |       | TAI-165      |
| -14     | 8233, BELDEN   |       |       |         |         |       | TAI-129      |
| -23     | 250-3884, MICRODOT   |       |       |         |         |       | TAI-189      |
| -24     | 202-3934, MICRODOT   |       |       |         |         |       | TAI-102      |
| -24A    | 9530A5117, RAYCHEM   |       |       |         |         |       | TAI-189      |
| -25     | T-43M, GENERAL   |       |       |         |         |       | TAI-102      |
| -25A    | 5021H5331, RAYCHEM   |       |       |         |         |       |              |
| -26     | 7028A5518, RAYCHEM   |       |       |         |         |       | TAI-189      |
| -27     | T19TPSJ2619EN, WOVEN<br>202-3927, MICRODOT<br>202-3942, MICRODOT | 1.135 | .096  | .438    | .438    | .500  | TAI-102      |
| -29     | TWC-78-1/TWC-124-1A  |       |       |         |         |       |              |
| -30     | 761A, AT&T<br>8441, BELDEN                                       |       |       |         |         |       |              |
| -32     | TRC-50-1   |       |       |         |         |       |              |
| -33     | TRC-75-1   |       |       |         |         |       |              |
| -42     | 21-204, ESSEX<br>4463, CONSOLIDATED                              |       |       |         |         |       | TAI-189      |
| -43     | 250-4044/250-4045<br>293-3930, MICRODOT                          |       |       |         |         |       |              |
| -45     | M275000-22TE2T14<br>1100-66F, STANDARD                           |       |       |         |         |       | TAI-102      |
| -46     | 9860, BELDEN   | 1.716 | .130  | .625    | .688    | .750  | TAI-103      |
| -47     | M17/176-00002  | 1.135 | .096  | .438    | .438    | .500  | TAI-102      |
| -49     | TWAC-78-1F2  |       |       |         |         |       |              |
| -54     | 89207, BELDEN  | 1.716 | .130  | .625    | .688    | .750  | TAI-103      |
| -55     | 89272, BELDEN  |       |       |         |         |       | TAI-102      |
| -56     | 6C8756C1, GRUMMAN  | 1.135 | .096  | .438    | .438    | .500  | TAI-189      |
| -57     | 6C8756B1, GRUMMAN  |       |       |         |         |       |              |
| -58     | 6C875TM24H, GRUMMAN  |       |       |         |         |       |              |
| -59     | 6C875LN1, GRUMMAN  |       |       |         |         |       |              |
| -60     | M17/177, THERMATICS<br>380-10045, BOEING                         |       |       |         |         |       | TAI-189      |
| -64     | 7528A5314, RAYCHEM   |       |       |         |         |       |              |



| INCH | MM   | INCH  | MM    |
|------|------|-------|-------|
| .005 | 0.13 | .345  | 8.76  |
| .030 | 0.76 | .347  | 8.81  |
| .096 | 2.44 | .352  | 8.94  |
| .125 | 3.18 | .362  | 9.19  |
| .130 | 3.30 | .438  | 11.13 |
| .132 | 3.35 | .455  | 11.56 |
| .145 | 3.68 | .475  | 12.07 |
| .164 | 4.17 | .485  | 12.32 |
| .183 | 4.65 | .490  | 12.45 |
| .191 | 4.85 | .500  | 12.70 |
| .198 | 5.03 | .593  | 15.06 |
| .200 | 5.08 | .625  | 15.88 |
| .217 | 5.51 | .688  | 17.48 |
| .235 | 5.97 | .750  | 19.05 |
| .274 | 6.96 | 1.135 | 28.83 |
| .285 | 7.24 | 1.716 | 43.59 |
| .300 | 7.62 | 1.846 | 46.89 |
| .323 | 8.20 |       |       |

| CABLE ENTRY DIA TABLE |           |         |           |
|-----------------------|-----------|---------|-----------|
| DASH NO               | ENTRY DIA | DASH NO | ENTRY DIA |
| -7                    | .274      | -30     | .235      |
| -8                    | .345      | -32     | .191      |
| -9                    |           | -33     | .217      |
| -A9                   | .285      | -42     | .300      |
| -10                   | .455      | -43     | .200      |
| -11                   | .347      | -45     | .183      |
| -12                   | .485      | -46     | .475      |
| -13                   | .362      | -47     | .164      |
| -13A                  | .352      | -49     | .132      |
| -14                   | .490      | -54     | .323      |
| -23                   | .183      | -55     | .250      |
| -24                   | .191      | -56     |           |
| -24A                  | .200      | -57     | .191      |
| -25                   |           | -58     |           |
| -25A                  | .285      | -59     | .198      |
| -26                   | .183      | -60     | .217      |
| -27                   | .145      | -64     | .183      |
| -29                   | .191      |         |           |

| MODEL NO         | DASH NO/CABLE GROUP |     |      |     |     |      |      |     |     |     |     |     |     |     |     |     |     |
|------------------|---------------------|-----|------|-----|-----|------|------|-----|-----|-----|-----|-----|-----|-----|-----|-----|-----|
| PL75FL (TWINAX)  | -8                  | -9  | -A9  | -10 | -11 | -12  | -24  | -25 | -27 | -29 | -30 | -45 | -46 | -47 | -49 | -54 | -55 |
| PL75FL (TRIAx)   | -7                  | -13 | -13A | -14 | -23 | -24A | -25A | -26 | -32 | -33 | -42 | -43 | -56 | -57 | -59 | -60 | -64 |
| PL75FL (QUADRAX) | -58                 |     |      |     |     |      |      |     |     |     |     |     |     |     |     |     |     |

6. EXAMPLE OF COMPLETE MODEL NO:  
 PL75FL - 47 △  
 BASIC MODEL NO ——— DASH NO
5. EXAMPLE OF COMPLETE PART NO:  
 310-0006 - 47 △  
 BASIC PART NO ——— DASH NO

**RED INDICATES ORIGINAL**

- △ CLAMP NUT OMITTED
3. CONCENTRIC TWINAX/TRIAx 4-LUG TRB CABLE PLUG
2. FINISH: TFS-1A (NICKEL)
1. ALL DIM ARE IN INCHES
- △ IF BEND RELIEF SPRING REQD (SEE FIG 1)  
 ADD SUFFIX "BR" TO MODEL NO (NOT AVAILABLE WITH CABLE GROUPS -8, -10, -11, -12, -13, -13A, -14, -46 & -54)

| QTY   | DESCRIPTION                         | PART NUMBER     | ITEM         |
|---|-------------------------------------|-----------------|--------------|
| TOL UNLESS SPECIFIED<br>.XX ±<br>.XXX ± .005<br>.XXXX ±<br>ANGLE± | <b>TROMPETER</b><br>RF connectivity | PL75FL/PL75FLBR |              |
| DWN DKC 5-23-91   | MATERIAL CODE IDENT                 | DRAWING NO.     | REV          |
| CHK B.M. 5-24-91  | 14949                               | 310-0006        | M            |
| ENGR  | APPR                                | SCALE 2/1       | DATE 3/21/83 |
| 305-0515  | 6-3-91                              |                 | SHEET 1 OF 2 |

## X-ON Electronics

Largest Supplier of Electrical and Electronic Components

*Click to view similar products for [RF Connectors / Coaxial Connectors](#) category:*

*Click to view products by [Bel Fuse](#) manufacturer:*

Other Similar products are found below :

[8915-1511-000](#) [89674-0827](#) [6001-7071-019](#) [6002-7051-003](#) [6002-7551-202](#) [6059674-1](#) [619550-1](#) [630059-000](#) [M39030/3-01N](#) [6500-7071-046](#) [6769](#) [CX050L2AQ](#) [7002-1541-010](#) [7002-1542-011](#) [7004-1512-000](#) [7009-1511-004](#) [7010-1511-000](#) [7029-1511-060](#) [7101-1541-010](#) [7101-1571-002](#) [7145-1521-002](#) [7203-1571-003](#) [7209-1511-011](#) [7210-1511-015](#) [7210-1511-019](#) [73137-5015](#) [73216-2241](#) [73404-2300](#) [7405-1521-005](#) [7405-1521-802](#) [8527](#) [8547](#) [FS11V](#) [877931](#) [9049-9513-000](#) [9074-9513-000](#) [9101-9573-002](#) [910A205F](#) [9130-9573-002](#) [PL11SC-026](#) [PL375-33](#) [PL40-5](#) [PL74C-221](#) [PL75MC-217](#) [PL803-7](#) [980-8666-005](#) [1200690078](#) [1-201144-1](#) [R107003010W](#) [R110A172100](#)