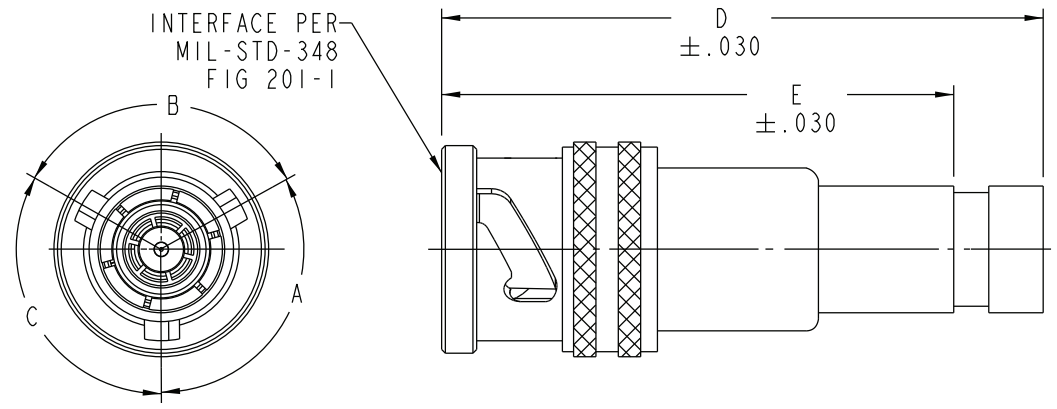


| REVISIONS | | | |
|-----------|--------------|---------|------------|
| REV | DESCRIPTIONS | DATE | APPROVED |
| H | ECO 53315 | 5-13-11 | C. MONAHAN |

| DASH NO. | CABLES ACCOMODATED | ASSEMBLE PER | DIM "D" | DIM "E" |
|----------|---------------------------------------|--------------|---------|---------|
| -201 | M17/176-00002 | TA1-201 | 1.540 | 1.375 |
| -202 | TWC-78-1 | | | |
| -203 | TWC-124-1A | | | |
| -204 | 10602, RAYCHEM | | | |
| -205 | TWAC-78-1F2 | | | |
| -206 | 7826D0130, RAYCHEM | | | |
| -207 | 83310, BELDEN | | | |
| -208 | 202-3927, MICRODOT | | | |
| -209 | 202-3942, MICRODOT | | | |
| -210 | 8451, BELDEN | | | |
| -211 | 202-3934, MICRODOT | | | |
| -212 | 2524E0114, RAYCHEM | | | |
| -213 | TWC-78-2, M17/45-RG108 | | | |
| -214 | TWC-124-2 | | | |
| -215 | BL982, TIMES | | | |
| -216 | BL1242, TIMES | | | |
| -217 | M27500-22 RC2S06 | | | |
| -218 | EDP221888, RAYCHEM | | | |
| -219 | 252601114, RAYCHEM | | | |
| -220 | GC875RR1, GRUMMAN | | | |
| -221 | 10614, RAYCHEM GC875TM24H, GRUMMAN | | | |
| -222 | 10613, RAYCHEM | | | |
| -223 | HMS2-1149, HUGHES | | | |
| -224 | TWCP-124-3 | | | |
| -225 | PS665PL, PRIME STOCK | | | |
| -226 | TWCP-124-5 | TA1-209 | 1.660 | 1.495 |

| KEY LETTER | A DEGREES | B DEGREES | C DEGREES | COLOR BAND |
|------------|-----------|-----------|-----------|------------|
| NONE | 120° | 120° | 120° | NONE |
| T | 100° | 150° | 110° | RED |
| U | 120° | 130° | 110° | ORANGE |
| V | 115° | 130° | 115° | YELLOW |
| W | 125° | 110° | 125° | GREEN |
| X | 130° | 100° | 130° | BLUE |
| Y | 110° | 140° | 110° | VIOLET |
| Z | 100° | 160° | 100° | GRAY |
| S | 135° | 135° | 90° | WHITE |



-201 SHOWN

I. EXAMPLE OF COMPLETE MODEL NO:
 BASIC MODEL NO PL75MC T - 201 CABLE GROUP DASH NO (SEE TABLE 1)
 POLARIZATION LETTER T
 NONE REQD FOR STD POLARIZATION (SEE TABLE 2)

NOTES: UNLESS OTHERWISE SPECIFIED.

| | | | | |
|--|----------------------|--|--|---|
| INTERPRET DRAWING PER MIL-STD-100. DIMENSIONS ARE IN INCHES AND INCLUDE FINISH THICKNESS UNLESS OTHERWISE SPECIFIED. | | TOL: UNLESS SPECIFIED. .XX ± .005 .XXX ± .005 .XXXX ± .005 ANGLE ± CRITICAL | | Cinch Connectivity Solutions 299 Johnson Ave. Ste. 100 Waseca, MN 56093 1-800-247-8256 |
| DRW L. MCLENNAN 6-28-11 | | MATERIAL: | | |
| N/A | CHK | TITLE: PL75MC/T/U/V/W/X/Y/Z/S | | SIZE CAGE CODE DRAWING NO. REV. B 14949 3-0285 H |
| BLANK LENGTH (REF. ONLY) | QUALITY | FINISH: | | |
| N/A | APPROVED | SCALE 6/1 | | DATE 4/6/94 SHEET 1 OF 3 |
| SURFACE AREA | PROJ FILE NO. 3-0285 | DO NOT SCALE DWG | | |

X-ON Electronics

Largest Supplier of Electrical and Electronic Components

Click to view similar products for [RF Connectors / Coaxial Connectors](#) category:

Click to view products by [Bel Fuse](#) manufacturer:

Other Similar products are found below :

[8915-1511-000](#) [89674-0827](#) [6001-7071-019](#) [6002-7051-003](#) [6002-7551-202](#) [6059674-1](#) [619550-1](#) [630059-000](#) [M39030/3-01N](#) [6500-7071-046](#) [6769](#) [CX050L2AQ](#) [7002-1541-010](#) [7002-1542-011](#) [7004-1512-000](#) [7009-1511-004](#) [7010-1511-000](#) [7029-1511-060](#) [7101-1541-010](#) [7101-1571-002](#) [7145-1521-002](#) [7203-1571-003](#) [7209-1511-011](#) [7210-1511-015](#) [7210-1511-019](#) [73137-5015](#) [73216-2241](#) [73404-2300](#) [7405-1521-005](#) [7405-1521-802](#) [8527](#) [8547](#) [FS11V](#) [877931](#) [9049-9513-000](#) [9074-9513-000](#) [9101-9573-002](#) [910A205F](#) [9130-9573-002](#) [PL11SC-026](#) [PL375-33](#) [PL40-5](#) [PL74C-221](#) [PL75MC-217](#) [PL803-7](#) [980-8666-005](#) [1200690078](#) [1-201144-1](#) [R107003010W](#) [R110A172100](#)