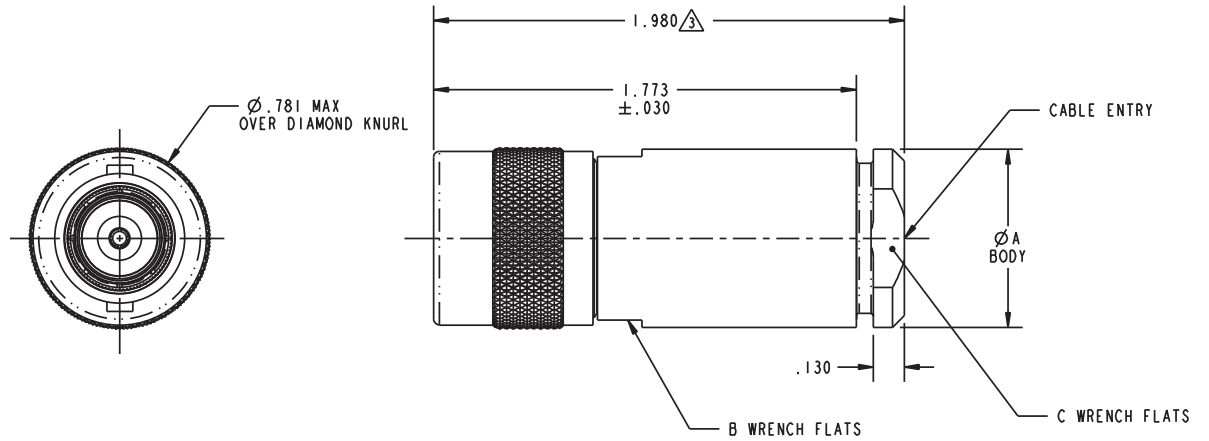


DASH NO	CABLES ACCOMMODATED	Ø A	B FLATS	C FLATS	ASSEMBLE PER	
-7	TRC-50-2/TRC-75-2	.750	.687	.625	TAI-175	
-8	8227, BELDEN				TAI-116	
-9	TWC-78-2, RG-108 TWC-124-2					
-10	754E, W.E.CO., RG-22					
-11	760A, W.E.CO.					
-12	16PEVL, W.E.CO.					
-13	TRF-59, TIMES					
-13A	8232, BELDEN					
-14	21-529, ESSEX 8233, BELDEN					
-14A	TRC-50-4A					.990
-15	21-583, ESSEX					
-16	21-950, ESSEX	.750	.687	.625	TAI-116	
-26	275-3962, MICROOOT				TAI-175	
-29	TWC-124-1A				TAI-116	
-32	TRC-50-1				TAI-175	
-33	TRC-75-1				TAI-124	
-42	21-204, ESSEX				TAI-175	
-46	9860, BELDEN				TAI-116	
-47	MI7176-00002					
-54	89207, BELDEN					
-55	89272 BELDEN				.990	.875
-61	5012W5812, RAYCHEM					
-62	7518A0811, RAYCHEM					

DATA CONTAINED IN THIS DOCUMENT IS PROPRIETARY TO CINCH CONNECTIVITY SOLUTIONS AND SHALL NOT BE DISCLOSED, COPIED OR USED FOR PRODUCTION OR MANUFACTURE WITHOUT EXPRESS WRITTEN PERMISSION

REVISIONS			
REV	DESCRIPTIONS	DATE	APPROVED
AF	ECO 53317	6/20/11	TKO



-9 SHOWN

4. CONCENTRIC TWINAX/TRIAX "C" STYLE CABLE PLUG W/SOCKET CENTER CONTACT

⚠ DIM IS MAX WHEN ASSEMBLED TO CABLE

2. INTERFACE: TCS-PL80

⚠ FINISH: TFS-1A (NICKEL)

NOTES: UNLESS OTHERWISE SPECIFIED.

INTERPRET DRAWING PER MIL-STD-100, DIMENSIONS ARE IN INCHES AND INCLUDE FINISH THICKNESS UNLESS OTHERWISE SPECIFIED.

UNLESS OTHERWISE SPECIFIED: .XX ± .01 .XXX ± .005 .XXXX ± .0010 ANGLE ± P 90° CRITICAL



Cinch Connectivity Solutions
299 Johnson Ave. Ste. 100
Wassica, MN 55093
1-800-247-8256

MATERIAL:		TITLE: PL80	
DATE: 6/20/11	BY: TKO	DATE: 6/22/11	BY: TKO
QUALITY:	FINISH: ⚠	SIZE: B	CAGE CODE: 14949
BLANK LENGTH (REF. ONLY):	APPROVED:	DRAWING NO.: 1-0156	REV. AF
N/A	PROF FILE NO: 1-0156	SCALE: 1/1	DATE: 4/28/09
SURFACE AREA:	DO NOT SCALE DIM:	SHEET 1	OF 2

X-ON Electronics

Largest Supplier of Electrical and Electronic Components

Click to view similar products for [RF Connectors / Coaxial Connectors](#) category:

Click to view products by [Bel Fuse](#) manufacturer:

Other Similar products are found below :

[8915-1511-000](#) [89674-0827](#) [6001-7071-019](#) [6002-7051-003](#) [6002-7551-202](#) [6059674-1](#) [619550-1](#) [630059-000](#) [M39030/3-01N](#) [6500-7071-046](#) [6769](#) [CX050L2AQ](#) [7002-1541-010](#) [7002-1542-011](#) [7004-1512-000](#) [7009-1511-004](#) [7010-1511-000](#) [7029-1511-060](#) [7101-1541-010](#) [7101-1571-002](#) [7145-1521-002](#) [7203-1571-003](#) [7209-1511-011](#) [7210-1511-015](#) [7210-1511-019](#) [73137-5015](#) [73216-2241](#) [73404-2300](#) [7405-1521-005](#) [7405-1521-802](#) [8527](#) [8547](#) [FS11V](#) [877931](#) [8808-1511-001](#) [9049-9513-000](#) [9074-9513-000](#) [9101-9573-002](#) [910A205F](#) [9130-9573-002](#) [PL11SC-026](#) [PL375-33](#) [PL40-5](#) [PL74C-221](#) [PL75MC-217](#) [PL803-7](#) [1200690078](#) [1-201144-1](#) [R107003010W](#) [R110A172100](#)